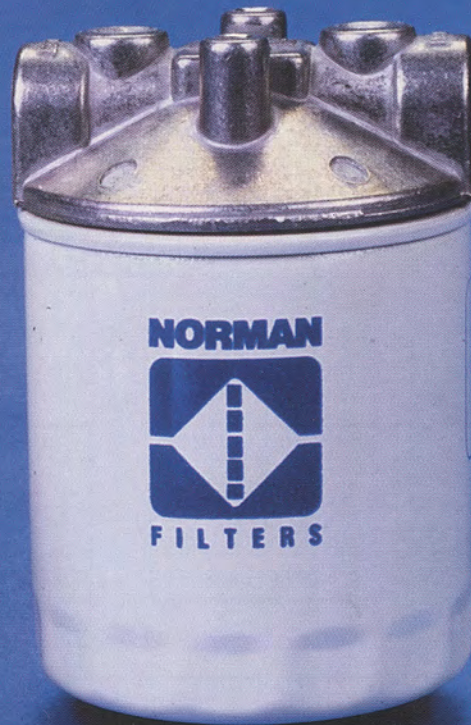


Norman 2000 Series Spin-On Filters



- 200 PSI
- 10 thru 40 Micron
- 7 gpm Return
- 2 gpm Suction

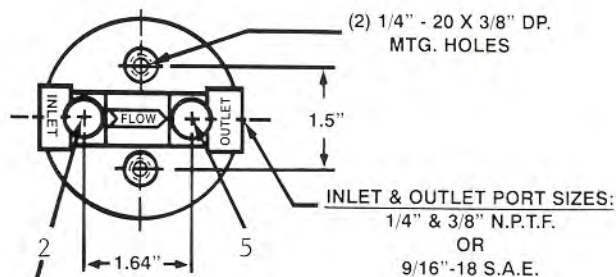


NORMAN FILTER COMPANY, L.L.C.
PHONE: 708-233-5521 • FAX: 708-430-5961

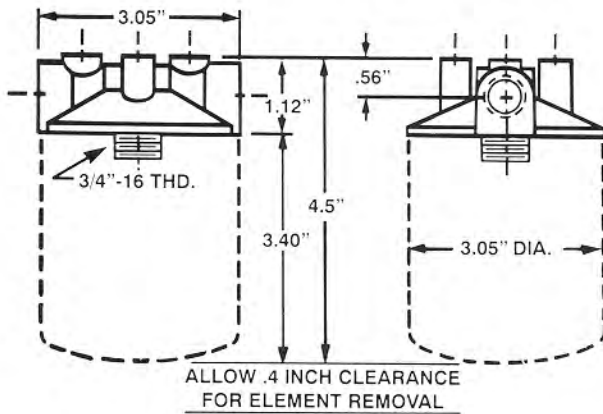
Flows Up To: 7 GPM (Return) 2 GPM (Suction)
Port Sizes:

- 1/4" NPTF
- 3/8" NPTF
- 9/16" - 18 UN (SAE - 6)

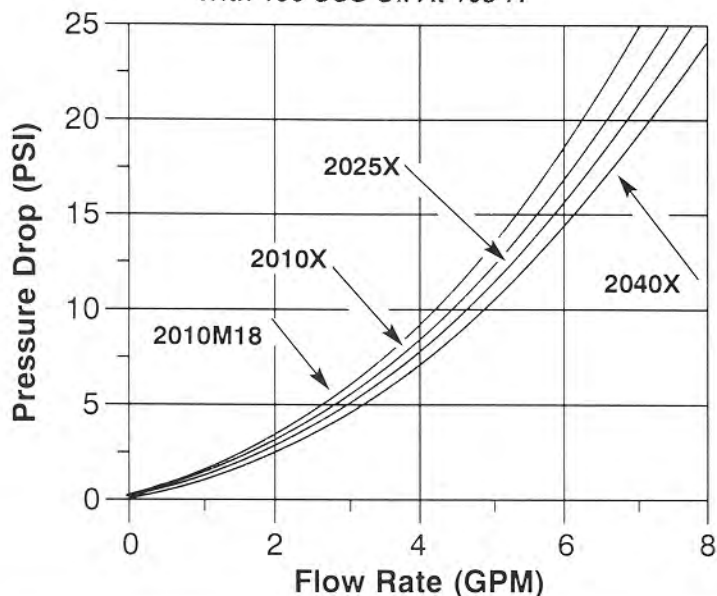
Pressure: 200 PSI Max. Operating
Temperature: -65 to +250°F. Operating
Applications: Petroleum based fluids only.
 Consult factory for synthetic fluids.



1/8" N.P.T.F. GAUGA PORTS (OPTIONAL)
 INLET PRESSURE LOCATION: 2 (RETURN LINE)
 OUTLET PRESSURE LOCATION: 5 (SUCTION LINE)



Average Pressure Drop Thru Clean Filter Assembly With 150 SUS Oil At 105°F.



How To Order:

Filter Head: 20

Code	Inlet & Outlet Ports	Code	Gauge Port Location
4N	1/4" NPTF	0	No Port Required
6N	3/8" NPTF	2	Return Line
6S	9/16" - 18 UN (SAE-6)	5	Suction Line

Element Number	20100	201018	201025	202510	202525	204018	2010M18
Diameter	3.05"	3.05"	3.05"	3.05"	3.05"	3.05"	3.05"
Mounting Thread	3/4" - 16	3/4" - 16	3/4" - 16	3/4" - 16	3/4" - 16	3/4" - 16	3/4" - 16
Micron Rating	10 NOM.	10 NOM.	10 NOM.	25 NOM.	25 NOM.	40 NOM.	10 NOM.
Avg. Beta	2	2	2	2	2	2	75
By-Pass Valve	None	18 PSI	25 PSI	10 PSI	25 PSI	18 PSI	18 PSI
Can Color / Imprint	White/Teal	White/Teal	White/Teal	White/Teal	White/Teal	White/Teal	White/Teal



NORMAN FILTER COMPANY, L.L.C.
 9850 SOUTH INDUSTRIAL DRIVE
 BRIDGEVIEW, ILLINOIS 60455
 PHONE: 708-233-5521
 FAX: 708-430-5961
 EMAIL: SALES@NORMANFILTERS.COM
 WWW.NORMANFILTERS.COM

DISTRIBUTED BY: