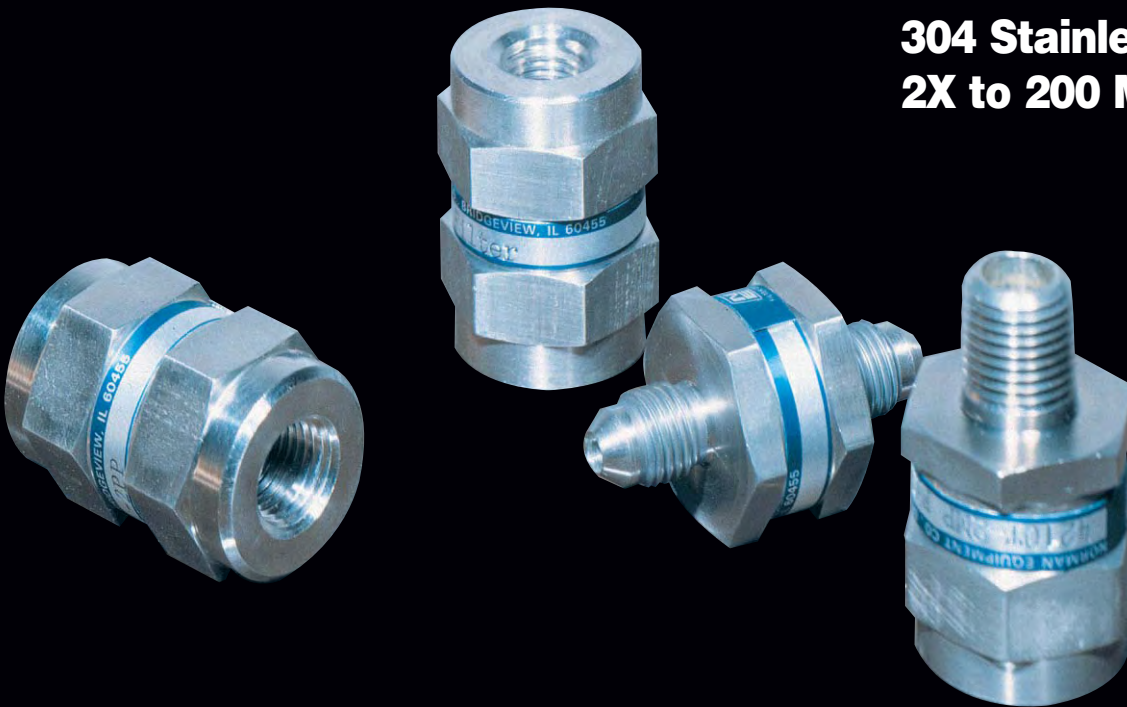


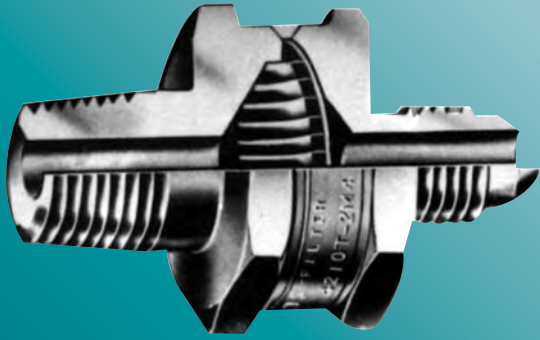
Norman 4200 Series In-Line Filters Up to 5 gpm

6000 psi

**Proof Pressure 9000 psi
Burst Pressure 24,000 psig
304 Stainless Steel
2X to 200 Microns**



NORMAN FILTER COMPANY, L.L.C.
PHONE: 708-233-5521 • FAX: 708-430-5961



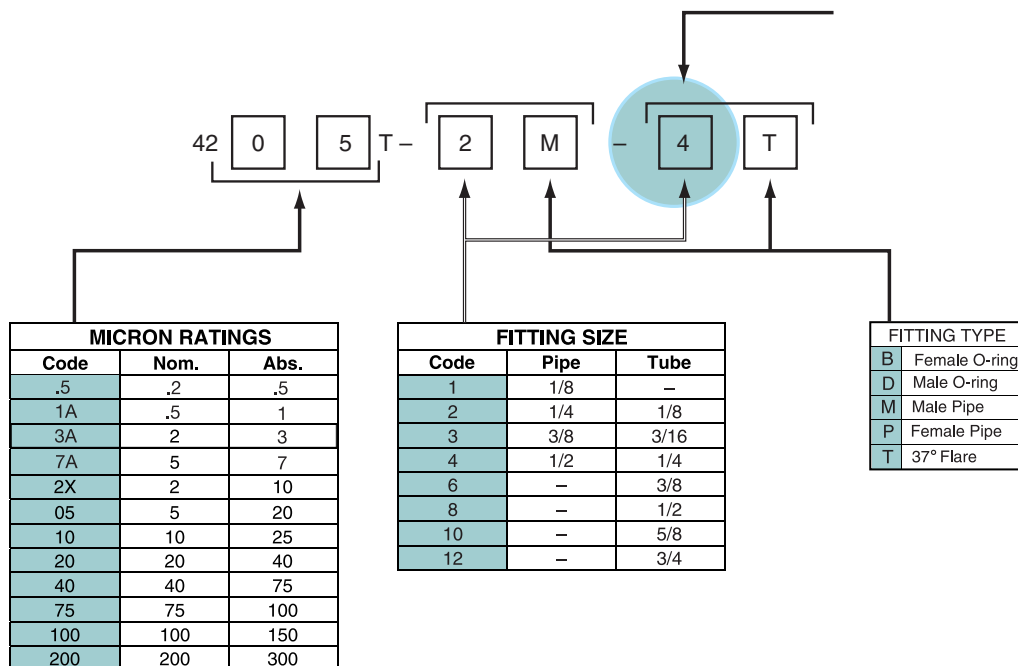
Norman 4200 Series 6000 psi In-Line Recleanable Stainless Steel Filters

Norman 4200 Series In-Line Filters provide a compact lightweight In-Line filter for reliable economic protection of critical components.

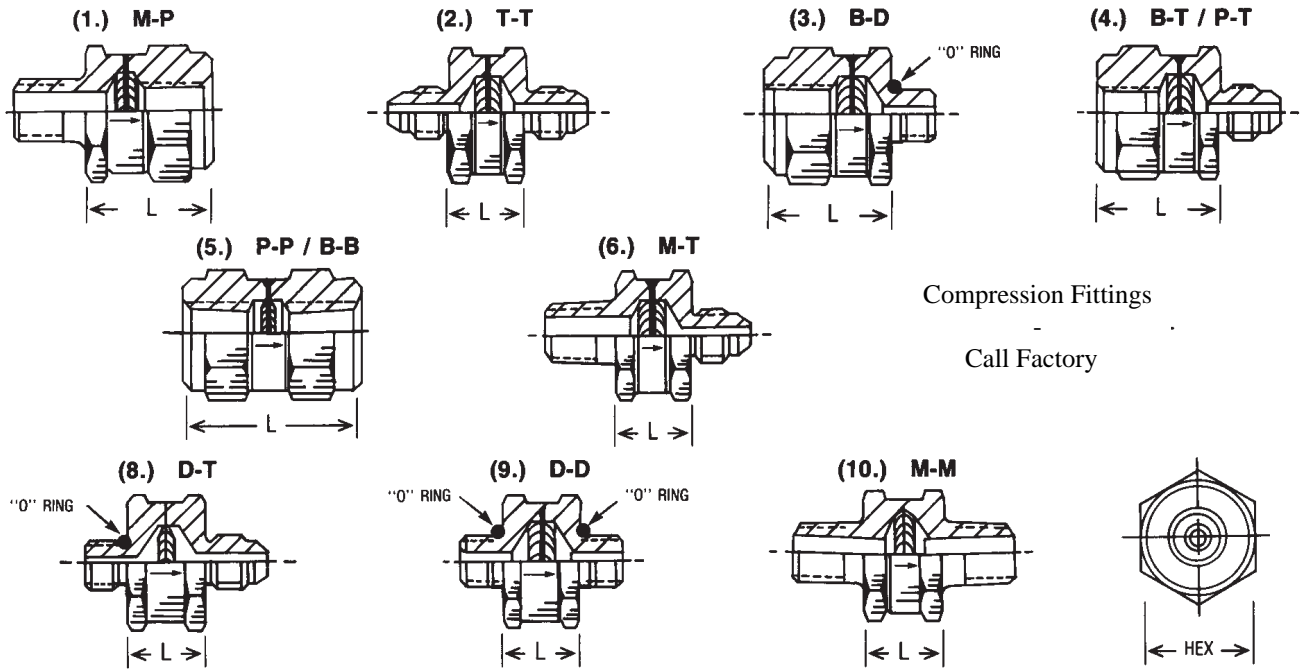
FEATURES:

- **POSITIVE PROTECTION** – 304 Stainless Steel “Microweave” filter element has controlled pore size for precise contaminant removal from 2 to 200 microns. The 316 Sintered Stainless Steel Media can remove particles down to .5 micron absolute.
- **EXTENDED SERVICE LIFE** – The pleated 304 Stainless Steel element design has much greater surface area and dirt holding capacity than simple flat discs.
- **CHOICE OF END FITTINGS** – “Mix-and-Match” male and female connections – pipe thread, flared tube, compression fitting and SAE O-Ring – to adapt to your installation.
- **EXCELLENT TEMPERATURE AND CORROSION RESISTANCE** – All stainless steel construction is suitable for virtually any fluid at temperatures of -320° F to + 800° F. (6000 psi rating at 70° F.)
- **NO MEDIA MIGRATION** – Unlike felt media, the continuous strands of high-strength stainless steel wire mesh are welded to the housing to prevent downstream contamination.

HOW TO ORDER 4200 SERIES MINI IN-LINE FILTERS Stainless Steel, Welded, 6000 PSI*



4200 Series filters are available in a variety of end connections and hex sizes:



Compression Fittings

Call Factory

SPECIFICATIONS

SERIES	HEX SIZE	LENGTH	INLET	OUTLET	FIGURE	PRESSURE PSIG	SERIES	HEX SIZE	LENGTH	INLET	OUTLET	FIGURE	PRESSURE PSIG
42 ___ T-1MP	1"	1.10	1/8" Male Pipe	1/8" Female Pipe	1	6000	42 ___ T-4DD	1"	1.10	1/4" Male O-Ring	1/4" Male O-Ring	9	6000
42 ___ T-1M-4T	1"	0.68	1/8" Male Pipe	1/4" Flare	6	6000	42 ___ T-4DT	1"	1.10	1/4" Male O-Ring	1/4" Flare	8	6000
42 ___ T-1PP	1"	1.58	1/8" Female Pipe	1/8" Female Pipe	5	6000	42 ___ T-4MM	1 3/4"	1.42	1/2" Male Pipe	1/2" Male Pipe	10	3000
42 ___ T-2MM	1"	0.68	1/4" Male Pipe	1/4" Male Pipe	10	6000	42 ___ T-4PP	1 3/4"	1.70	1/2" Female Pipe	1/2" Female Pipe	5	3000
42 ___ T-2MP	1"	1.10	1/4" Male Pipe	1/4" Female Pipe	1	6000	42 ___ T-4TT	1"	0.68	1/4" Flare	1/4" Flare	2	6000
42 ___ T-2M-4T	1"	0.68	1/4" Male Pipe	1/4" Flare	6	6000	42 ___ T-6DD	1"	0.80	3/8" Male O-Ring	3/8" Male O-Ring	9	6000
42 ___ T-2M-6T	1"	0.68	1/4" Male Pipe	3/8" Flare	6	6000	42 ___ T-6DT	1"	0.80	3/8" Male O-Ring	3/8" Flare	8	6000
42 ___ T-2PP	1"	1.58	1/4" Female Pipe	1/4" Female Pipe	5	6000	42 ___ T-6TT	1"	0.80	3/8" Flare	3/8" Flare	2	6000
42 ___ T-2P-4T	1"	1.10	1/4" Female Pipe	1/4" Flare	4	6000	42 ___ T-8BB	1 3/4"	2.03	1/2" Female O-Ring	1/2" Female O-Ring	5	3000
42 ___ T-2TT	1"	0.68	3/8" Flare	3/8" Flare	2	6000	42 ___ T-8DD	1 3/4"	1.43	1/2" Male O-Ring	1/2" Male O-Ring	9	3000
42 ___ T-3PP	1 3/4"	1.74	3/8" Female Pipe	3/8" Female Pipe	5	3000	42 ___ T-8DT	1 3/4"	1.43	1/2" Male O-Ring	1/2" Flare	8	3000
42 ___ T-3TT	1"	.68	3/16" Flare	3/16" Flare	2	6000	42 ___ T-8TT	1 3/4"	1.43	1/2" Flare	1/2" Flare	2	3000
42 ___ T-4BB	1"	1.55	1/4" Female O-Ring	1/4" Female O-Ring	5	6000	42 ___ T-10TT	1 3/4"	1.43	5/8" Flare	5/8" Flare	2	3000
42 ___ T-4BD	1"	1.10	1/4" Female O-Ring	1/4" Male O-Ring	3	6000	42 ___ T-12TT	1 3/4"	1.43	3/4" Flare	3/4" Flare	2	3000
42 ___ T-4BT	1"	1.10	1/4" Female O-Ring	1/4" Flare	4	6000	Compression Fittings - Call Factory						

*NOTE : Flow can be in either direction. Example – 422XT-2M may be changed to 422XT-4T-2M if a male tube inlet/male pipe outlet is required.

ECONOMICAL PROTECTION FOR:

- Hydraulic Systems
- Pilot Circuits
- Gauges
- Meters
- Transducers
- Relief Valves
- Chemical Procession
- Water Filtration
- Pneumatic Lines
- Test Stands
- Laboratories
- Cryogenics



Norman Filtration Systems



Norman Filter Panel

Available in 5 and 11 gpm flow rates
Two stage filtration
Industrial grade pump & motor
Filtration down to 1 micron absolute
Water absorbing elements available
Y-Strainer on pump inlet



Norman Mighty Might

Available in 4 gpm flow rates
Two stage filtration
Compact Lightweight System



Norman Filter Cart

Available in 5 and 11 gpm flow rates
Two stage filtration
Industrial grade pump & motor
Filtration down to 1 micron absolute
Water absorbing elements available
Y-Strainer on pump inlet
Portable for multiple system use



NORMAN FILTER COMPANY, L.L.C.

9850 SOUTH INDUSTRIAL DRIVE
BRIDGEVIEW, ILLINOIS 60455
PHONE: 708-233-5521
FAX: 708-430-5961
EMAIL: SALES@NORMANFILTERS.COM
WWW.NORMANFILTERS.COM

DISTRIBUTED BY: