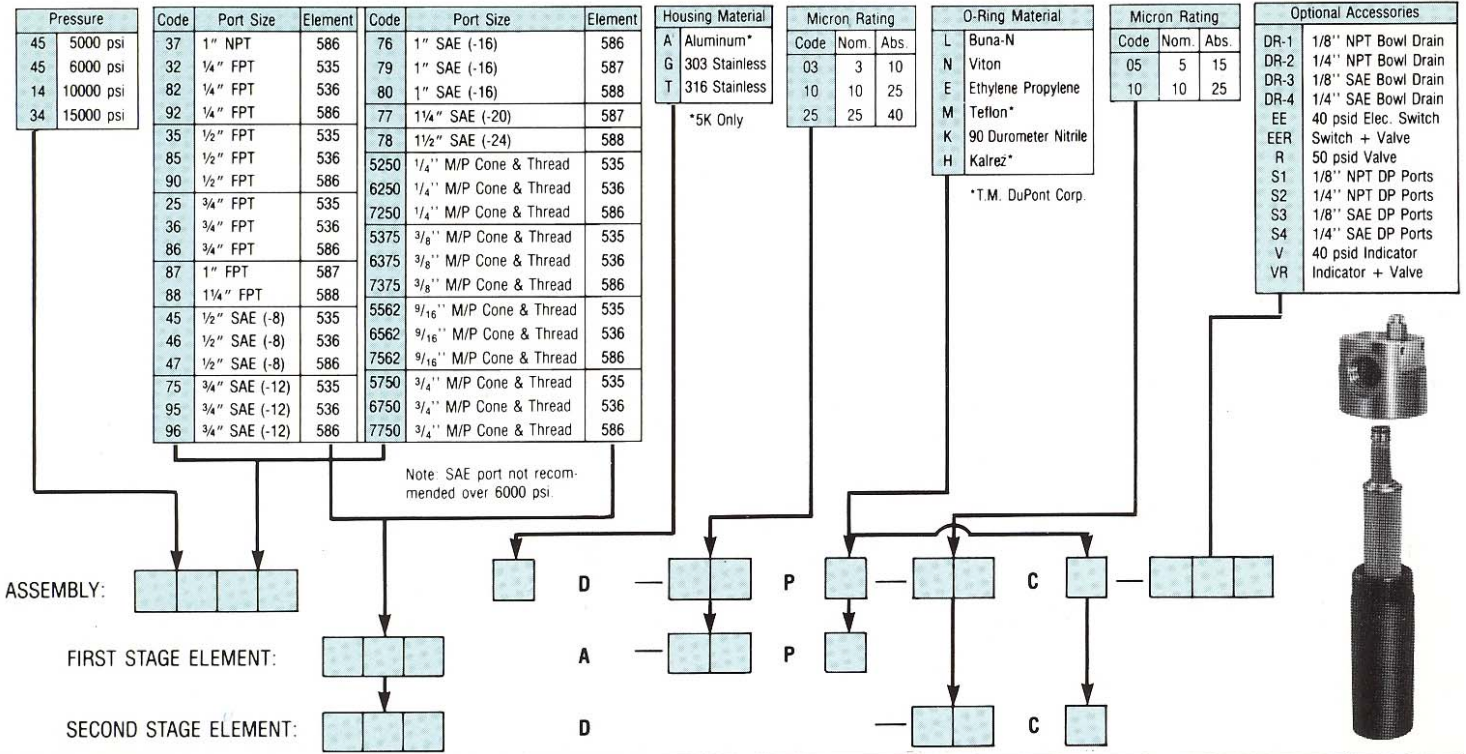


DUAL ELEMENT FILTER ASSEMBLIES (ALL FIVE SIZES)

HOW-TO-ORDER



NORMAN FILTER COMPANY, L.L.C.

9850 S. Industrial Drive, Bridgeview, Illinois 60455

Phone 800-207-6045 • Fax 708-430-5961

www.NormanFilters.com • Sales@NormanFilters.com