

Automate and secure your entrance in style

Semi Automatic Tripod Turnstile

Model : TTS350 series

TTS350 is a series of electro mechanical turnstiles. Its unique mechanical drive design allow the arm to be pushed effortlessly and auto-rotate back without any expensive electric motor. Sturdy rock solid internal mechanical parts design maximize its durability for industrial usage.

TTS350 series can effectively control high volume human traffic (up to 25 person per minutes) while still maintaining a welcoming atmosphere. They can easily be integrated with any electronic system for ticketing, access control or time attendance.

TTS350 series is suitable for indoor. They are optimized economical solution for railway, bus station, factory, colleges, commercial building, library, stadium, game park, bank and etc.



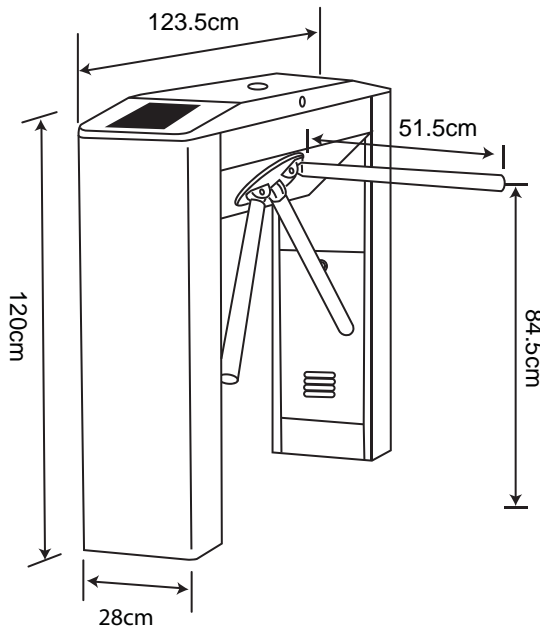
Premium
automation



TECHNICAL SPECIFICATION:

Description	Parameters
Pass speed	25 person per min
Response time	0.3 sec
Power supply input	AC230V ± 10V
power consumption	Idle 16W Operating 38W

DIMENSION:



ORDERING INFO:

Model No	Description
TTS350	Standard tripod turnstile
TTS350L	Standart tripod turnstile with additional LED light

ACCESSORIES:



Safety beam



Push Button

Authorized dealer

Feature

1 MAINTENANCE

Mechanical drive unit with solenoid locking mechanism eliminate the use of expensive electric motor. This allow TTS350 to be more economical system. All parts is modular and easy to be changed during maintainance.

2 AUTO ROTATE

If arm rotated more than half, it will auto-rotate to the next idle position. If arm rotated less than half, it will auto-rotate back to the current idle position.

3 ADJUSTABLE

Built in adjustable tensioner to control rotation force to minimize over rotation. Arm just need to be pushed lightly to rotate therefore even elderly or children are able to use the turnstile. Tensioner will always push the arm back to home position.

4 ANTI TAIL-GATING

Anti-tailgating. Smart lock mechanism effectively allow only one person to pass through at a time. Support pre-set lock time delay. During power failure, arm will drop automatically allowing free pass through. LED to indicate bi-direction and no access.

5 EASY CONFIGURED

Turnstile can be configured to be bi-directional or uni-directional. Housing is locked to avoid tampering.

Premium automation

" Entrance is the first level of protection in building security. MAG offer complete gate automation system to secure your entrance.... "

