

# NX

**ergo**



nexus<sup>TM</sup>  
COLLECTION



[www.nexuscollection.com](http://www.nexuscollection.com)





# A Sense of physical ease

For most, **comfort** is prioritized about all aspects in life. Realizing this, the Ergo is created to imbue the **lifestyles** of the discerning few who are content with **comfortable seating solutions.**

Are you one of them?





# Optimum Comfort



#### Inner Seat

PU moulded foam is attached to the bottom polypropylene cover without the usage of commercial adhesive, bolts and nuts.



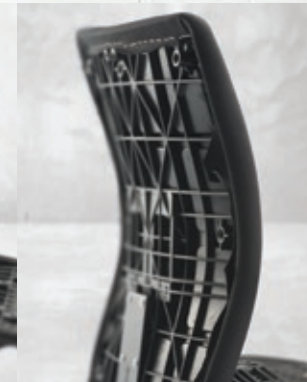
#### Under Seat

Bottom polypropylene cover which made of recycled material is unconventionally secured to the seat that eases the exchange and replacement of the seat upholstery.



#### Armrest

Nylon adjustable armrest with polyurethane armpad to enhance support with best comfort.



#### Backrest

Moulded polypropylene backrest frame in black finish.



#### 5 Pronged Base

Polypropylene base that comes with matching 50mm nylon castors.

#### Adjustable Headrest

Two-pivoted headrest allows precise adjustment of the angle and height to support neck comfortably in any sitting position.

#### Adjustable Armrest

Height adjustable armrest that firmly support elbows and eliminate fatigue due to long hours of sitting.

#### Seat Slider

Adjustable seat depth that accommodates different body shapes for long-hours comfort.



#### Lumbar Support

The lumbar support mechanism is integrated into the upholstered chairs.



#### Mechanism

Metal synchronized mechanism with seat slide and 3 lockings system allows separate tilting of the backrest and seat in 3 different angles to ease your movement for different postures.

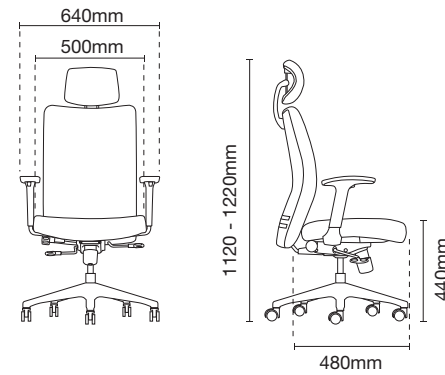




**ER3810L - 16D36**

Presidential high back

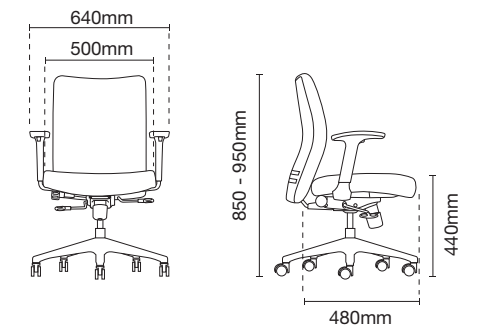
- AB16 aluminium base
- D36 adjustable nylon armrest
- MH012 metal synchronized mechanism (3 lockings)
- LS3 adjustable lumbar support



**ER3812L - 16D36**

Executive low back

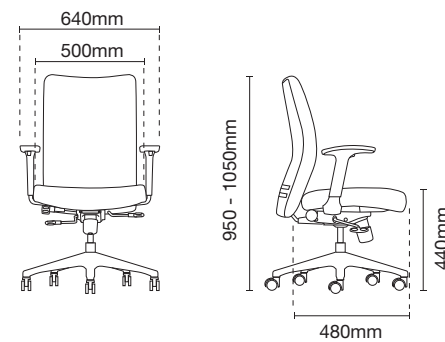
- AB16 aluminium base
- D36 adjustable nylon armrest
- MH012 metal synchronized mechanism (3 lockings)
- LS3 adjustable lumbar support



**ER3811L - 16D36**

Presidential medium back

- AB16 aluminium base
- D36 adjustable nylon armrest
- MH012 metal synchronized mechanism (3 lockings)
- LS3 adjustable lumbar support

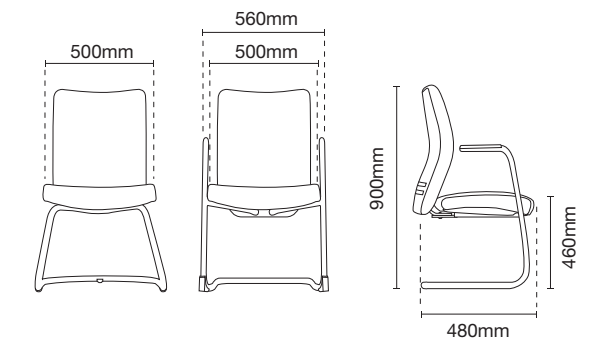


**ER3814L - 92C**

**ER3813L - 89CA**

Visitor / Conference chair with arm or without arm

- 92C chrome cantilever base
- 89CA chrome cantilever base



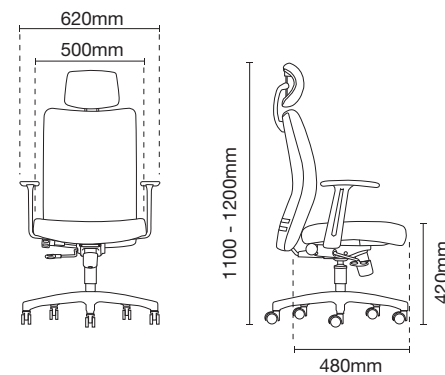




**ER3810F - 30A60**

Presidential high back

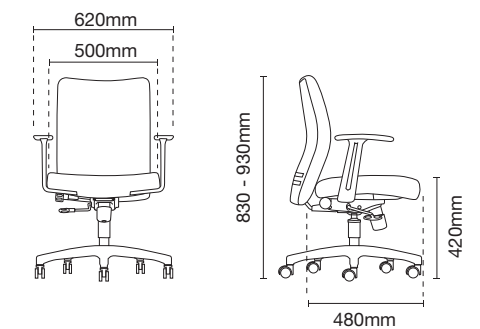
- PB30 polypropylene base
- A60 fixed armrest
- MH012 metal synchronized mechanism (3 lockings)



**ER3812F - 30A60**

Executive low back

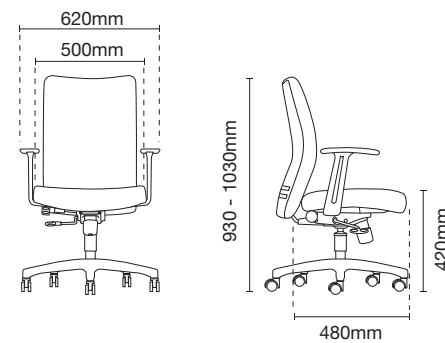
- PB30 polypropylene base
- A60 fixed armrest
- MH012 metal synchronized mechanism (3 lockings)



**ER3811F - 30A60**

Presidential medium back

- PB30 polypropylene base
- A60 fixed armrest
- MH012 metal synchronized mechanism (3 lockings)



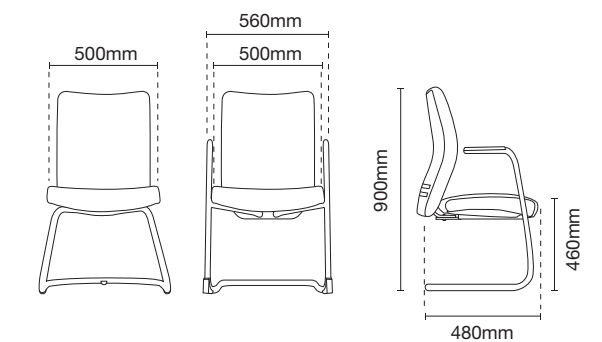
**ER3814F - 92E**

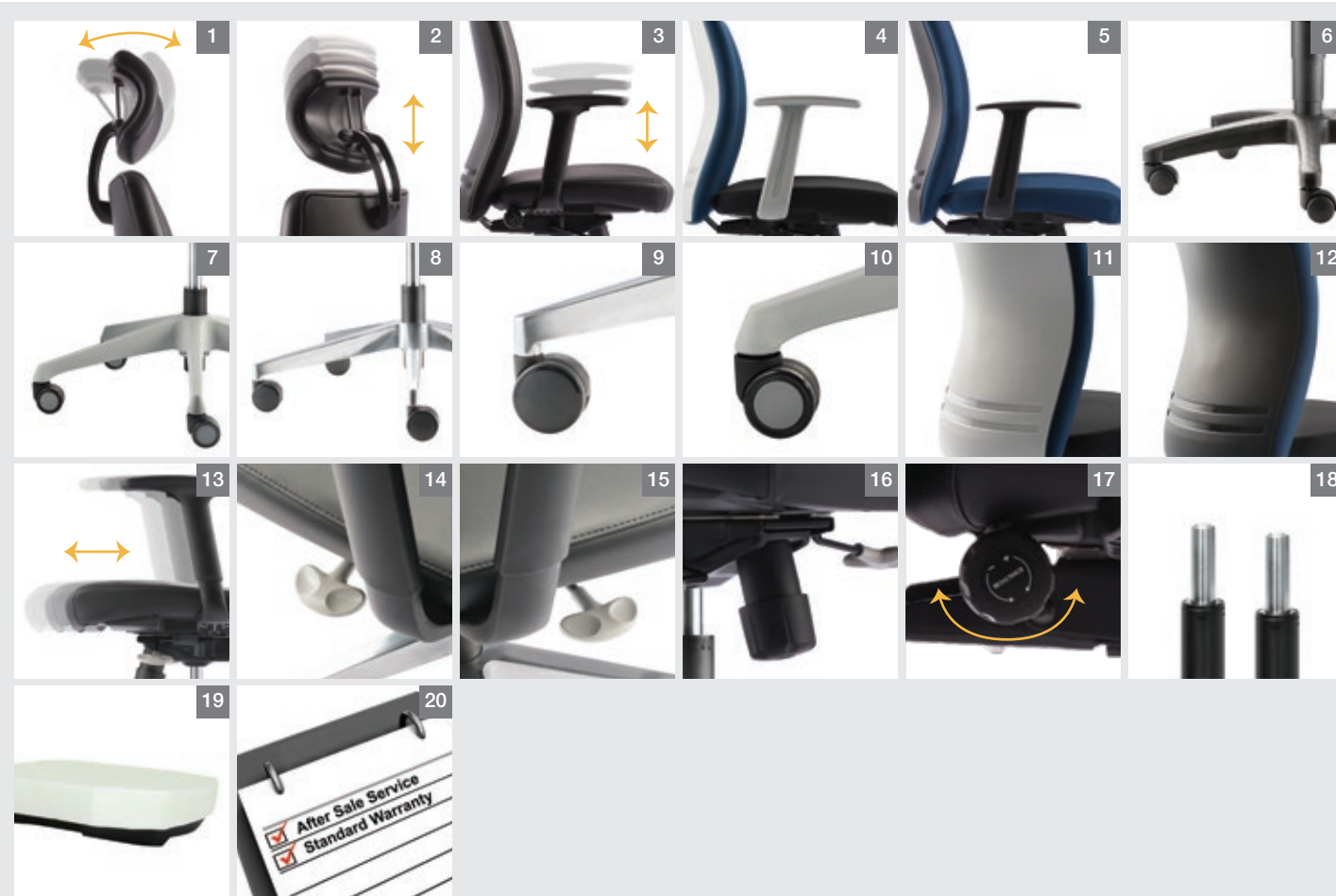
**ER3813F - 89EA**



Visitor / Conference chair with arm or without arm

- 92E epoxy cantilever base
- 89EA epoxy cantilever base





#### Adjustable Headrest

The two-pivoted headrest allows precise adjustments of the angle and the height, giving comfort and support to neck and head at any seating position. (Pic 1, 2)

#### Nylon Adjustable Armrest

Nylon adjustable armrest with polyurethane armpad to enhance support with best comfort. (Pic 3)

#### Fixed Armrest

Moulded polypropylene armrest in either light grey or black finish. (Pic 4,5)

#### 5 Pronged Base

5 pronged base in either polypropylene, nylon or die-cast polished aluminium finish, generates by highly sophisticated ambience to provide strong stability. (Pic 6, 7, 8)

#### Polyurethane Castors

50mm or 60mm polyurethane dual-wheel castors are designed for smooth gliding and also reduce floor scratches. (Pic 9, 10)

#### Backrest Cover

High quality moulded polypropylene backrest cover, decorated with horizontal strips offer in either light grey or black finishing, is designed for green environment with its recyclable materials, quality upholstery, while adding elegant to the contours of the backrest. (Pic 11, 12)

#### Adjustable Seat Depth / Slider Mechanism

Using a simple lever under the seat, user can easily adjust the depth of the seating to accommodate his sitting preference and comfort. (Pic 13)

#### Tilting Mechanism

Metal synchronized mechanism with seat slide and 3 lockings system that come with weight adjustable tension knob. (Pic 14, 15, 16)

#### Lumbar Support

The lumbar support (lower back support) mechanism is masterfully integrated into the full upholstered chairs. Simply twist the knob located under the chair seat, the lower section of the independent backrest moves forward to allow for dynamic back support when you lean back on the chair. (Pic 17)

#### Height Adjustable Pneumatic Cylinder

Imported heavy duty pneumatic cylinder designed with safety and durability features, allows for height adjustment of the chair to suit each users physique. (Pic 18)

#### Polyurethane Moulded Foam

High density polyurethane moulded foam come with fire retardant feature, gives the seat flexibility to conform user seating posture, provides great support and best comfort even for long seating hours. The black finish seat cover below is designed for greater protection to the foam, quality upholstery and user safety. (Pic 19)