

A seat
for

Every Task



Variations for a wide range of office environments, completed by matching chairs for visitors and conference rooms.



Engineered to Expound Ergonomics Contour and Visible Functions



Inner Backrest



PU moulded foam is attached to the bottom polypropylene cover.

Under Seat



Bottom polypropylene cover which made of recycled material is secured to the seat.

Armrest



Moulded polypropylene fixed armrest in either light grey or black finishing.

Backrest



Moulded polypropylene backrest cover in either light grey or black finishing.

5 Pronged Base



Polypropylene base that comes with matching 50mm nylon casters.

Mechanism

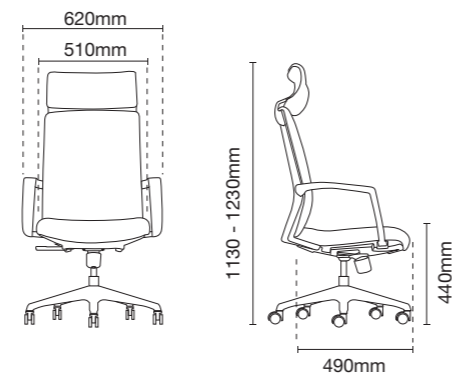
Metal spring mechanism with 1 locking system at the seat right posture and tilt at 25° reclining position, allows tilting of backrest and seating at the same angle, to ease user movement.



**FT7110L - 24A76**

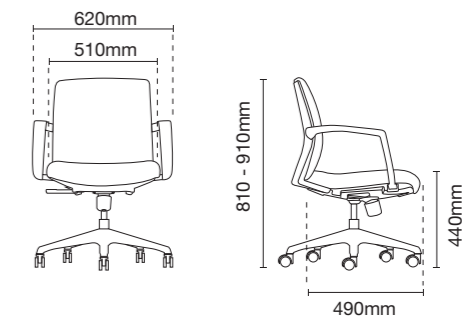
Presidential high back

- NB24 nylon base
- A76 fixed armrest
- MH100 metal spring mechanism (1 locking)

**FT7112L - 24A76**

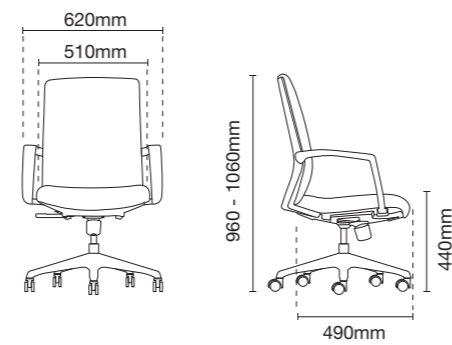
Executive low back

- NB24 nylon base
- A76 fixed armrest
- MH100 metal spring mechanism (1 locking)

**FT7111L - 24A76**

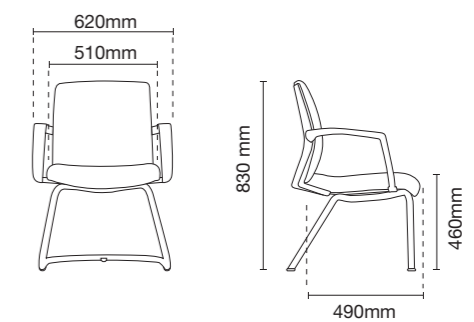
Presidential medium back

- NB24 nylon base
- A76 fixed armrest
- MH100 metal spring mechanism (1 locking)

**FT7113L - 93EA76****FT7114L - 94EA76**

Visitor / Conference chair with arm

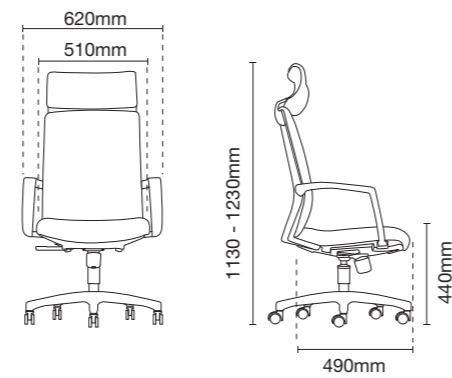
- 93E epoxy cantilever base
- 94E epoxy cantilever base



**FT7110F - 30A76**

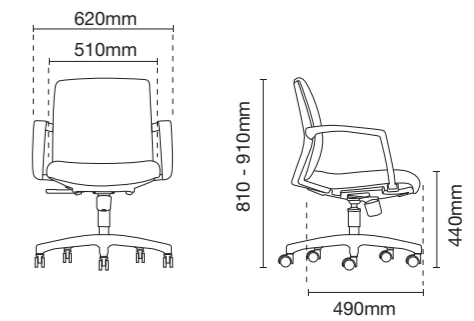
Presidential high back

- PB30 polypropylene base
- A76 fixed armrest
- MH100 metal spring mechanism (1 locking)

**FT7112F - 30A76**

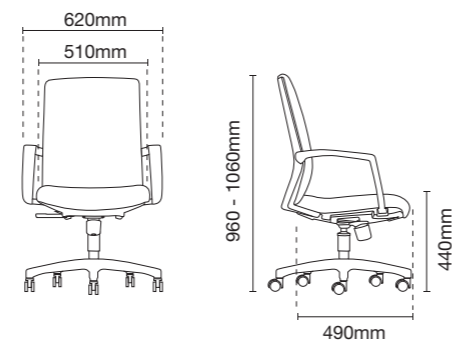
Executive low back

- PB30 polypropylene base
- A76 fixed armrest
- MH100 metal spring mechanism (1 locking)

**FT7111F - 30A76**

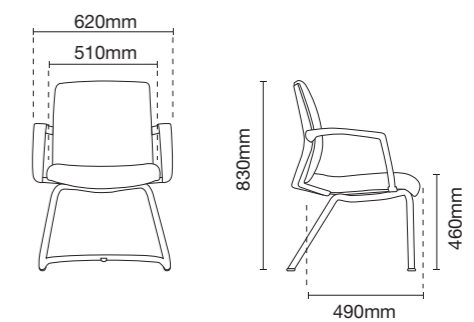
Presidential medium back

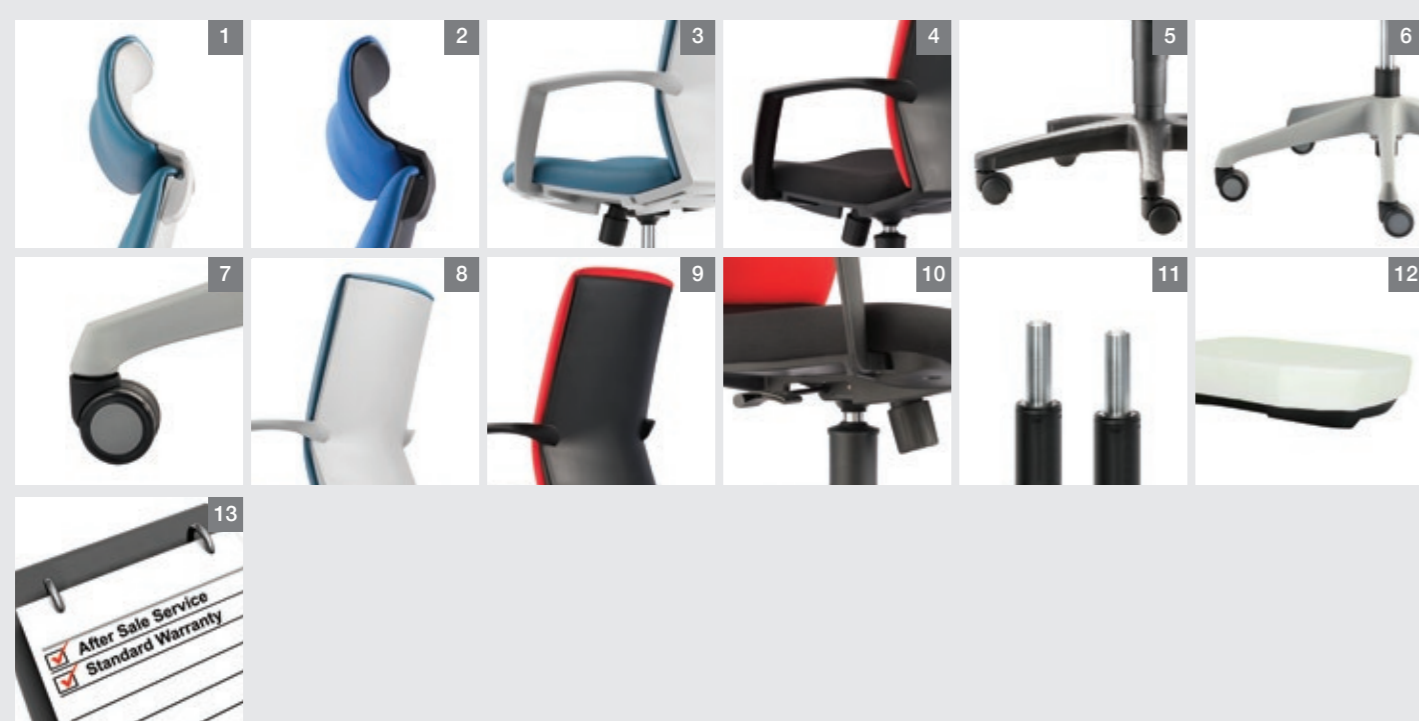
- PB30 polypropylene base
- A76 fixed armrest
- MH100 metal spring mechanism (1 locking)

**FT7113F - 93EA76****FT7114F - 94EA76**

Visitor / Conference chair with arm

- 93E epoxy cantilever base
- 94E epoxy cantilever base





Headrest

The contoured fix headrest in either light grey or black finish provide comfort support to neck and head. (Pic 1, 2)

Fixed Armrest

Moulded polypropylene armrest in either light grey or black finish. (Pic 3, 4)

5 Pronged Base

5 pronged base in either polypropylene or nylon finish, generates by highly sophisticated ambience to provide strong stability. (Pic 5, 6)

Polyurethane Castors

50mm polyurethane dual-wheel castors are designed for smooth gliding and also reduce floor scratches. (Pic 7)

Backrest Cover

High quality moulded polypropylene backrest cover in either light grey or black finishing. The cover is designed for green environment with its recyclable materials, quality upholstery, while adding elegant to the contours of the backrest. (Pic 8, 9)

Tilting Mechanism

Metal spring mechanism with 1 locking system at the seat right posture and tilt at 25° reclining position, allows tilting of backrest and seating at the same angle, to ease user movement. (Pic 10)

Height Adjustable Pneumatic Cylinder

Imported heavy duty pneumatic cylinder designed with safety and durability features, allows for height adjustment of the chair to suit each users physique. (Pic 11)

Polyurethane Moulded Foam

High density polyurethane moulded foam come with fire retardant feature, gives the seat flexibility to conform user seating posture, provides great support and best comfort even for long seating hours. The black finish seat cover below is designed for greater protection to the foam, quality upholstery and user safety. (Pic 12)