

MX

hugo

nexus<sup>TM</sup>  
COLLECTION



www.nexuscollection.com





# Finest

at Every Detail

Hugo is designed with careful and meticulous sewing of the upholstery based on high quality and finest craftsmanship. The chair comes with adjustable backrest that support and improve the sitting posture. Aim to harmonize the environment, the premium design of the chair sits in seamlessly in all sort of office environment – be it a big office space or even at your small office home office (SOHO). Hugo pave the way to the new standard of the cushion chair.



# SIMPLICITY BACKED BY EXCELLENT SUPPORT AND COMFORT

With its compact size and contemporary design, you will find Hugo to be remarkably suitable for small office as well as home office. Not only does it help to save more space, Hugo even beautify your working space without much effort. Practical and comfortable, Hugo makes it perfect for long working hours.





# COLOURFUL DESIGN

THAT UNIQUELY  
DISTINGUISHES YOU  
FROM THE OTHERS

When it comes to having plenty of choices, Hugo got you covered. No matter what style of office design you select, your piece can be upholstered in an unending choice of fabrics in all

colours with kicky textures and patterns. Take your working space from bland to bold with a hearty serving of colour inspired by our favorite colourful fabric designs.





# INTERACTION AT ITS BEST

Hugo chairs make bridges into good places for interaction  
– turning the room into spectacular views





# HUGO

OFFERS THE BEST FEATURES THAT AN IDEAL CHAIR SHOULD HAVE.

## Adjustable Headrest

The adjustable headrest enables user to find the best position to support the neck comfortably in any sitting position.



## Adjustable Backrest

Height adjustable backrest provide excellent back supports to each users with different body height.



## 4D Adjustable Armrest

Telescope in and out, move forward and back, pivot, and adjust up and down which provides natural position that comfortably supports the wrists, forearms, shoulders and neck.



## Seat Slider

Adjustable seat depth that accommodates different body shapes for long-hours comfort.



## Mechanism

Self-weight adjustment synchronized mechanism with 3 tensions level adjustable knob and multi-locking system designed to adapt your body weight automatically.





Inner Seat



PU moulded foam is attached to the bottom polypropylene cover.

Under Seat



Bottom polypropylene cover which made of recycled material is secured to the seat.

Armrest



Nylon adjustable armrest with polyurethane armpad to enhance support with best comfort.

5 Pronged Base



Nylon base that comes with matching 50mm nylon castors.

### PU Moulded Backrest

Contours to fit your spine for continuous lower back support as you tilt, whilst your body comfortably tucked into the backrest.



### Backrest Support

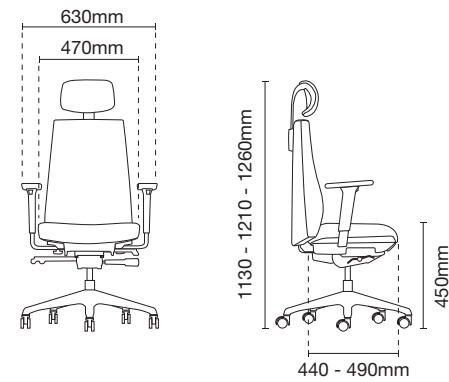
The specially designed contoured backrest provides great comfort and support at any preferred working postures.



**HG6210L - 14D98**

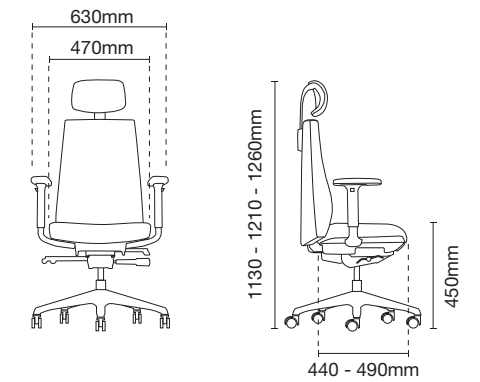
Presidential high back

- AB14 aluminium base
- D98 4D aluminium adjustable armrest
- MH024S self-weight adjustment synchronized mechanism with seat slide (multi-locking)
- Height adjustable backrest

**HG6210F - 24D30**

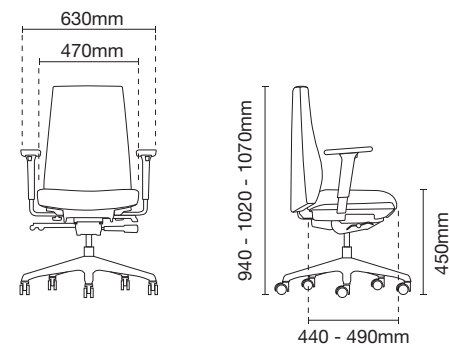
Presidential high back

- NB24 nylon base
- D30 adjustable nylon armrest
- MH024S self-weight adjustment synchronized mechanism with seat slide (multi-locking)
- Height adjustable backrest

**HG6212L - 14D98**

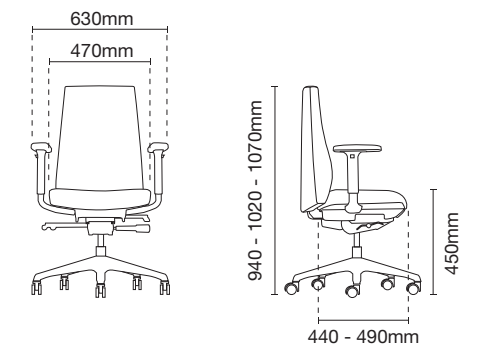
Executive low back

- AB14 aluminium base
- D98 4D aluminium adjustable armrest
- MH024S self-weight adjustment synchronized mechanism with seat slide (multi-locking)
- Height adjustable backrest

**HG6212F - 24D30**

Executive low back

- NB24 nylon base
- D30 adjustable nylon armrest
- MH024S self-weight adjustment synchronized mechanism with seat slide (multi-locking)
- Height adjustable backrest

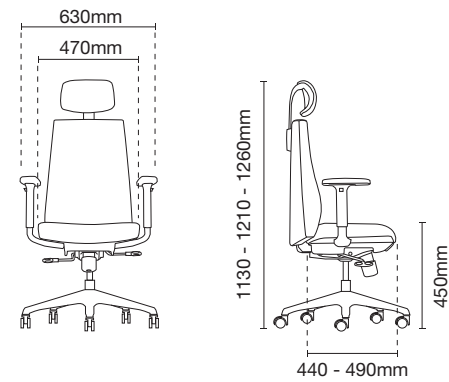




**HG6210F - 24D30**

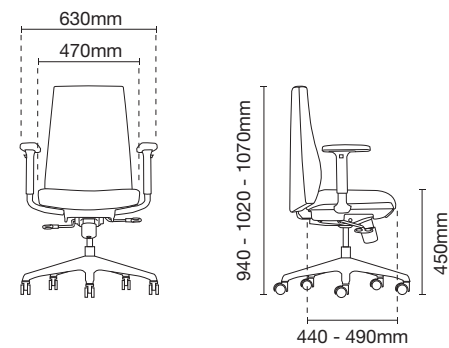
Presidential high back

- NB24 nylon base
- D30 adjustable nylon armrest
- MH012S metal synchronized mechanism with seat slide (3 lockings)
- Height adjustable backrest

**HG6212F - 24D30**

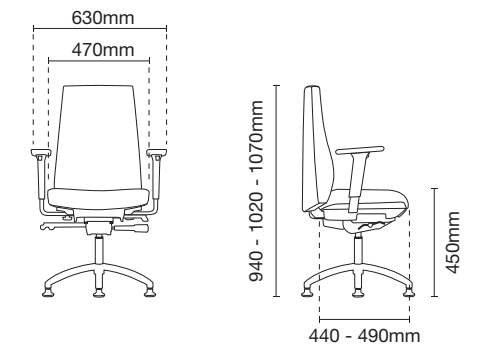
Executive low back

- NB24 nylon base
- D30 adjustable nylon armrest
- MH012S metal synchronized mechanism with seat slide (3 lockings)
- Height adjustable backrest

**HG6213L - 90CD98**

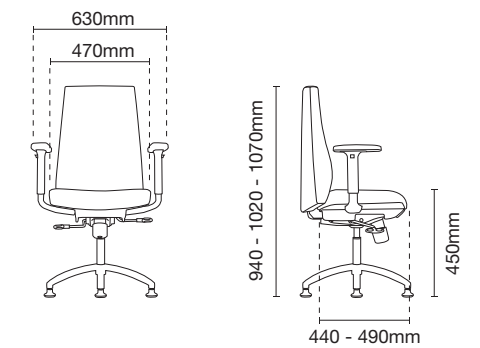
Visitor / Conference chair with arm

- 90C 4 pronged aluminium base with stud
- D98 4D aluminium adjustable armrest
- MH024S self-weight adjustment synchronized mechanism with seat slide (multi-locking)
- Height adjustable backrest

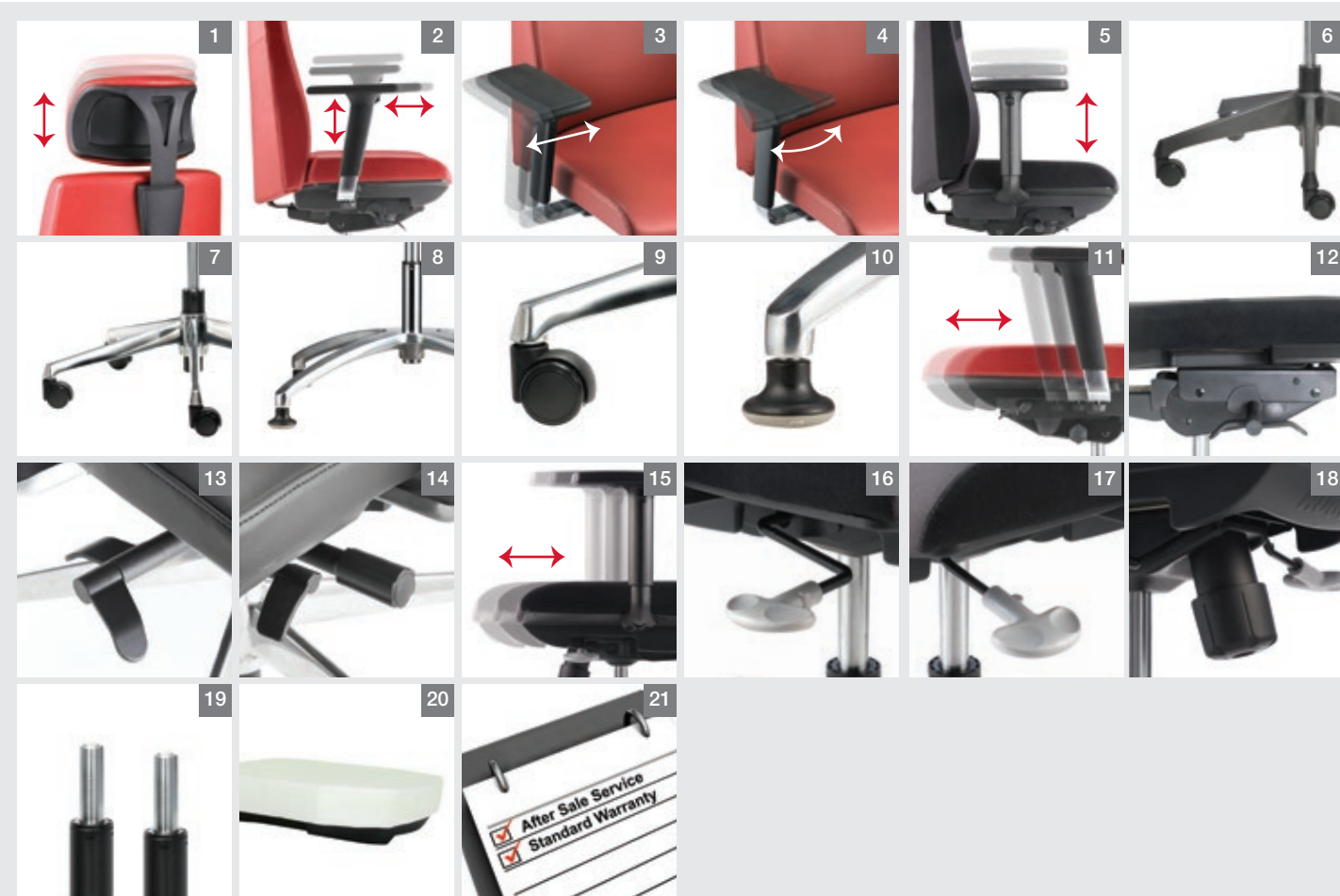
**HG6213F - 90CD30**

Visitor / Conference chair with arm

- 90C 4 pronged aluminium base with stud
- D30 adjustable nylon armrest
- MH012S metal synchronized mechanism with seat slide (3 lockings)
- Height adjustable backrest







#### Adjustable Headrest

The height adjustable headrest allows precise adjustments of the height, giving comfort and support to neck and head at any seating position. (Pic 1)

#### 4D Adjustable Armrest with Polyurethane Armpad

Telescope in and out, move forward and back, pivot, and adjust up and down which provides natural position that comfortably supports the wrists, forearms, shoulders and neck. (Pic 2, 3, 4)

#### Nylon Adjustable Armrest

Nylon adjustable armrest with polyurethane armpad to enhance support with best comfort (Pic 5)

#### 5 Pronged Base

5 pronged base in either nylon or die-cast polished aluminium finish, generates by highly sophisticated ambience to provide strong stability. (Pic 6, 7)

#### 4 Pronged Base

4 pronged base in die-cast polished aluminium finish, generates by highly sophisticated ambience to provide strong stability. (Pic 8)

#### Polyurethane Castors or Stud

Both the 50mm polyurethane dual-wheel castors and studs are designed for smooth gliding and also reduce floor scratches. (Pic 9, 10)

#### Adjustable Seat Depth / Slider Mechanism

Using a simple lever under the seat, user can easily adjust the depth of the seating to accommodate his sitting preference and comfort. (Pic 11, 15)

#### Self-Weight Tilting Mechanism

Self-weight adjustment synchronized mechanism with 3 tensions level adjustable knob and multi-locking system designed to adapt your body weight automatically. (Pic 12, 13, 14)

#### Tilting Mechanism

Metal synchronized mechanism with seat slide and 3 lockings system that come with weight adjustable tension knob (Pic 16, 17, 18)

#### Height Adjustable Pneumatic Cylinder

Imported heavy duty pneumatic cylinder designed with safety and durability features, allows for height adjustment of the chair to suit each users physique. (Pic 19)

#### Polyurethane Moulded Foam

High density polyurethane moulded foam come with fire retardant feature, gives the seat flexibility to conform user seating posture, provides great support and best comfort even for long seating hours. The black finish seat cover below is designed for greater protection to the foam, quality upholstery and user safety. (Pic 20)