

NXX

mesh 2

nexusTM
COLLECTION



www.nexuscollection.com



clean design

with simple
operation
equipped
with the
basics



Mesh 2 is designed for comfort with origins in Nexus's distinctive ergonomic designs. The clean design and pleasant seating experience of Mesh 2 is sure to please everyone in the office.



Inner Seat

Under Seat

Armrest

Backrest

5 Pronged Base



PU moulded foam is attached to the bottom polypropylene cover without the usage of commercial adhesive, bolts and nuts.

Bottom polypropylene cover which made of recycled material is unconventionally secured to the seat that eases the exchange and replacement of the seat upholstery.

Nylon adjustable armrest with nylon armpad to enhance support with best comfort.

Metal frame that can be in either mesh, PU or leather upholstery finishing.

Nylon high base that comes with 60mm polyurethane castors.

THE REPRESENTATION OF COMFORTABILITY AND DESIGN COMBINED



Adjustable Headrest

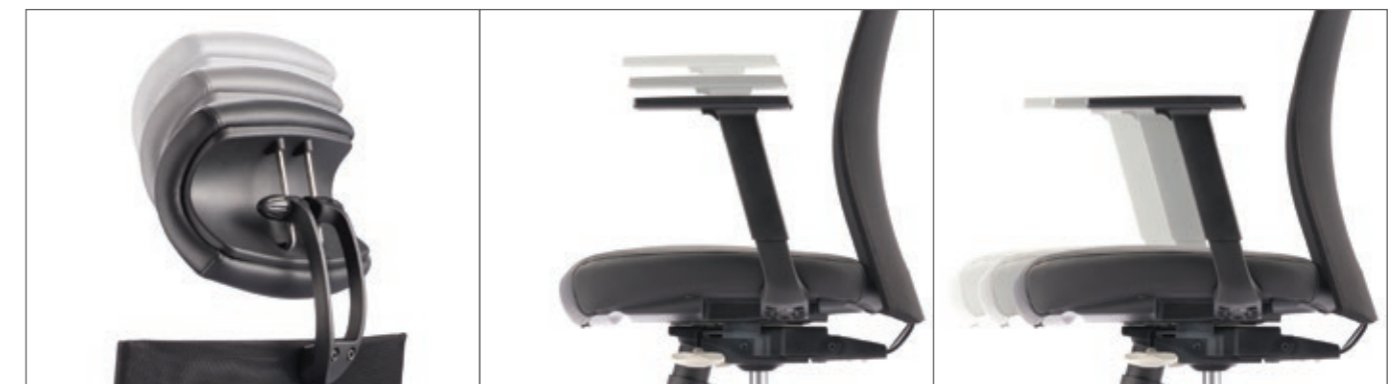
Two-pivoted headrest allows precise adjustment of the angle and height to support neck comfortably in any sitting position.

Adjustable Armrest

Height adjustable armrest that firmly support elbows and eliminate fatigue due to long hours of sitting.

Seat Slider

Adjustable seat depth that accommodates different body shapes for long-hours comfort.



Mechanism

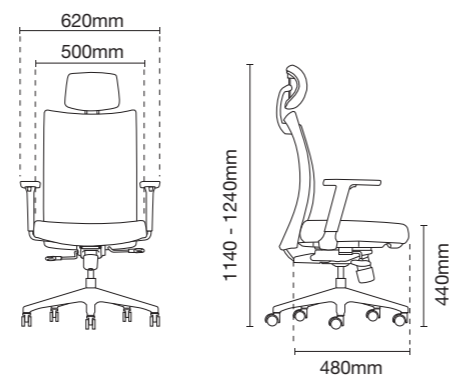
Metal synchronized mechanism with seat slide and 3 lockings system allows separate tilting of the backrest and seat in 3 different angles to ease your movement for different postures.



MH3710L - 18D34

Presidential high back

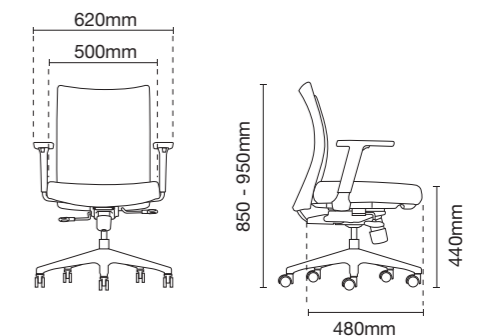
- AB18 aluminium high base
- D34 adjustable nylon armrest with nylon pad
- MH012 metal synchronized mechanism (3 lockings)



MH3712L - 18D34

Executive low back

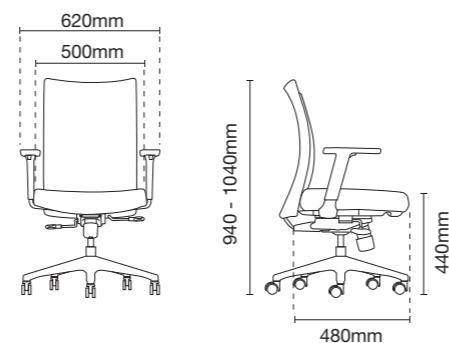
- AB18 aluminium high base
- D34 adjustable nylon armrest with nylon pad
- MH012 metal synchronized mechanism (3 lockings)



MH3711L - 18D34

Presidential medium back

- AB18 aluminium high base
- D34 adjustable nylon armrest with nylon pad
- MH012 metal synchronized mechanism (3 lockings)



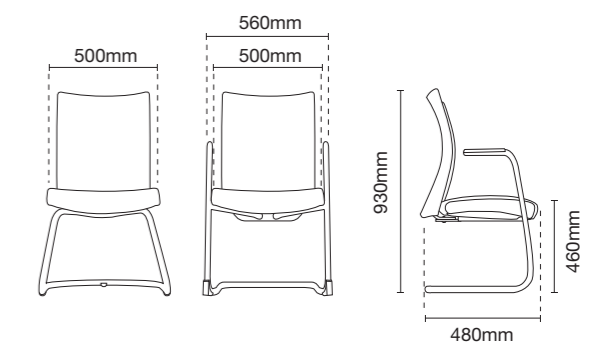
MH3714L - 92C

MH3713L - 89CA



Visitor / Conference chair with arm or without arm

- 92C chrome cantilever base
- 89CA chrome cantilever base

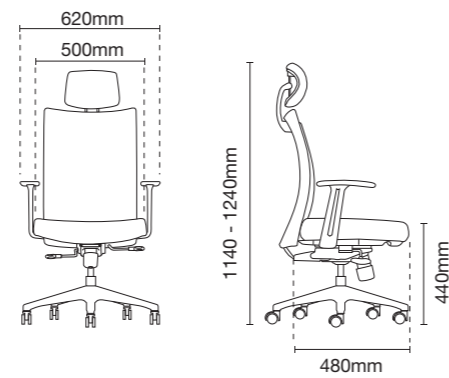




MH3710N - 20A60

Presidential high back

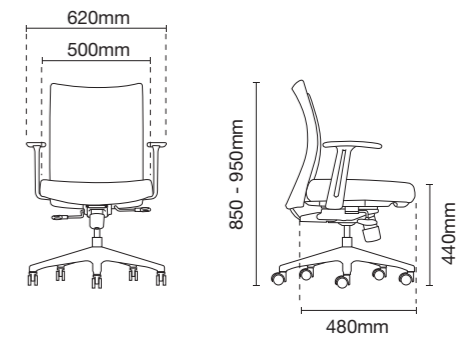
- NB20 nylon high base
- A60 fixed armrest
- MH012 metal synchronized mechanism (3 lockings)
- Fabric applicable to headrest and seat only



MH3712N - 20A60

Executive low back

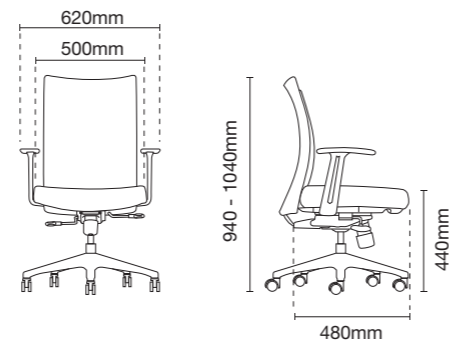
- NB20 nylon high base
- A60 fixed armrest
- MH012 metal synchronized mechanism (3 lockings)
- Fabric applicable to seat only



MH3711N - 20A60

Presidential medium back

- NB20 nylon high base
- A60 fixed armrest
- MH012 metal synchronized mechanism (3 lockings)
- Fabric applicable to seat only

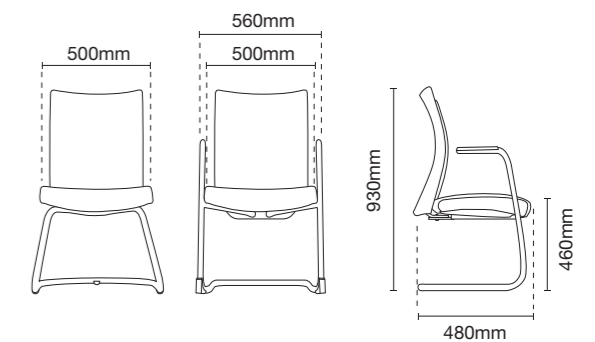


MH3714N - 92E

MH3713N - 89EA

Visitor / Conference chair with arm or without arm

- 92E epoxy cantilever base
- 89EA epoxy cantilever base
- Fabric applicable to seat only





Adjustable Headrest

The two-pivoted headrest allows precise adjustments of the angle and the height, giving comfort and support to neck and head at any seating position. (Pic 1, 2)

Nylon Adjustable Armrest

Nylon adjustable armrest with nylon armpad to enhance support with best comfort. (Pic 3)

Fixed Armrest

Moulded polypropylene armrest in black finish. (Pic 4)

5 Pronged Base

5 pronged base in either nylon or die-cast polished aluminium finish, generates by highly sophisticated ambience to provide strong stability. (Pic 5, 6)

Polyurethane Castors

60mm polyurethane dual-wheel castors are designed for smooth gliding and also reduce floor scratches. (Pic 7)

Adjustable Seat Depth / Slider Mechanism

Using a simple lever under the seat, user can easily adjust the depth of the seating to accommodate his sitting preference and comfort. (Pic 8)

Tilting Mechanism

Metal synchronized mechanism with seat slide and 3 lockings system that come with weight adjustable tension knob. (Pic 9, 10, 11)

Height Adjustable Pneumatic Cylinder

Imported heavy duty pneumatic cylinder designed with safety and durability features, allows for height adjustment of the chair to suit each users physique. (Pic 12)

Polyurethane Moulded Foam

High density polyurethane moulded foam come with fire retardant feature, gives the seat flexibility to conform user seating posture, provides great support and best comfort even for long seating hours. The black finish seat cover below is designed for greater protection to the foam, quality upholstery and user safety. (Pic 13)