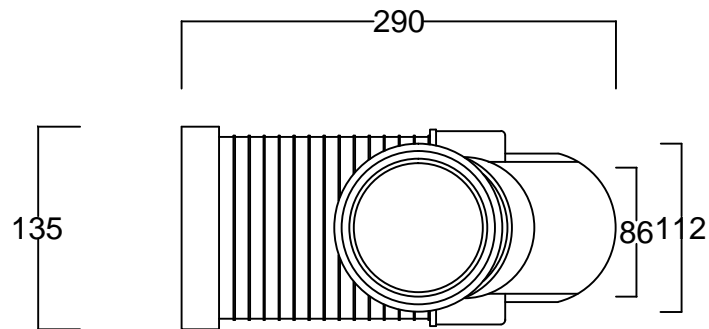
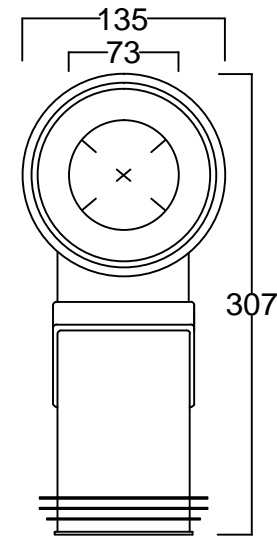
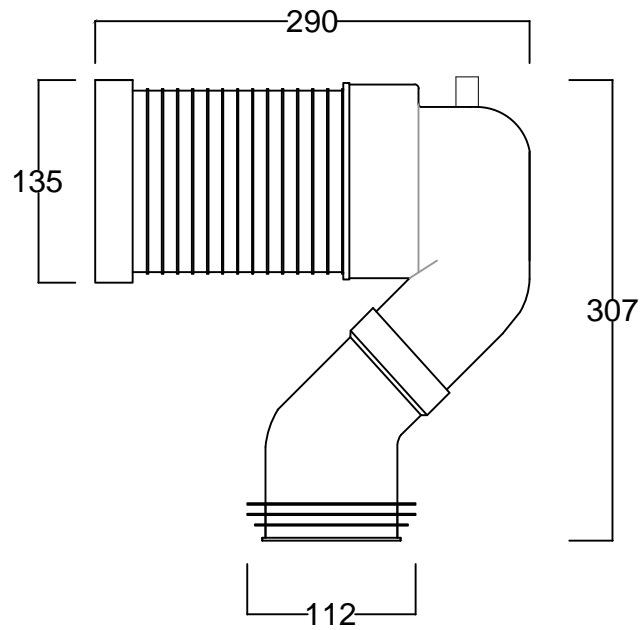



PRODUCT TECHNICAL DATA SHEET



Note:
 -DIMENSIONAL TO TOLERANCE ±2mm
 WEIGHT TOLERANCE ±5%

<i>Part Name</i>			Rev No.	Date	Weight
P520 CONNECTOR			11	14-4-2016	592g
<i>Part No.</i> <i>Dwg. No.</i>			Scale No.	Size	Sheet
P520			1:5	A4	1/2
Designed By	Checked By	Approved By	 Weserhoch Sdn Bhd.		
CY YEE	IRIS TAY	TC TAI			