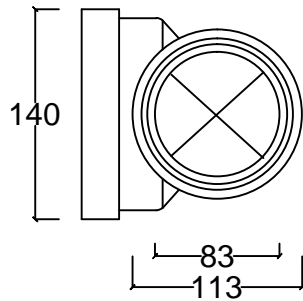
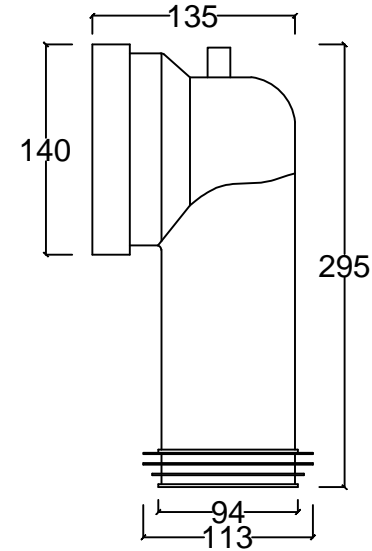
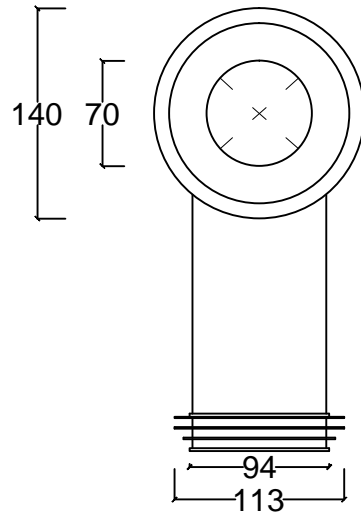



PRODUCT TECHNICAL DATA SHEET



Note:
 -DIMENSIONAL TO TOLERANCE $\pm 2\text{mm}$
 WEIGHT TOLERANCE $\pm 5\%$

<i>Part Name</i>			Rev No.	Date	Weight
P50 CONNECTOR			6	12-4-2016	380g
<i>Part No.</i>			Scale No.	Size	Sheet
P50			1:5	A4	1/2
<i>Dwg. No.</i>	Designed By	Checked By	Approved By		
	CY YEE	IRIS TAY	TC TAI		
			 Weserhoch Sdn Bhd.		