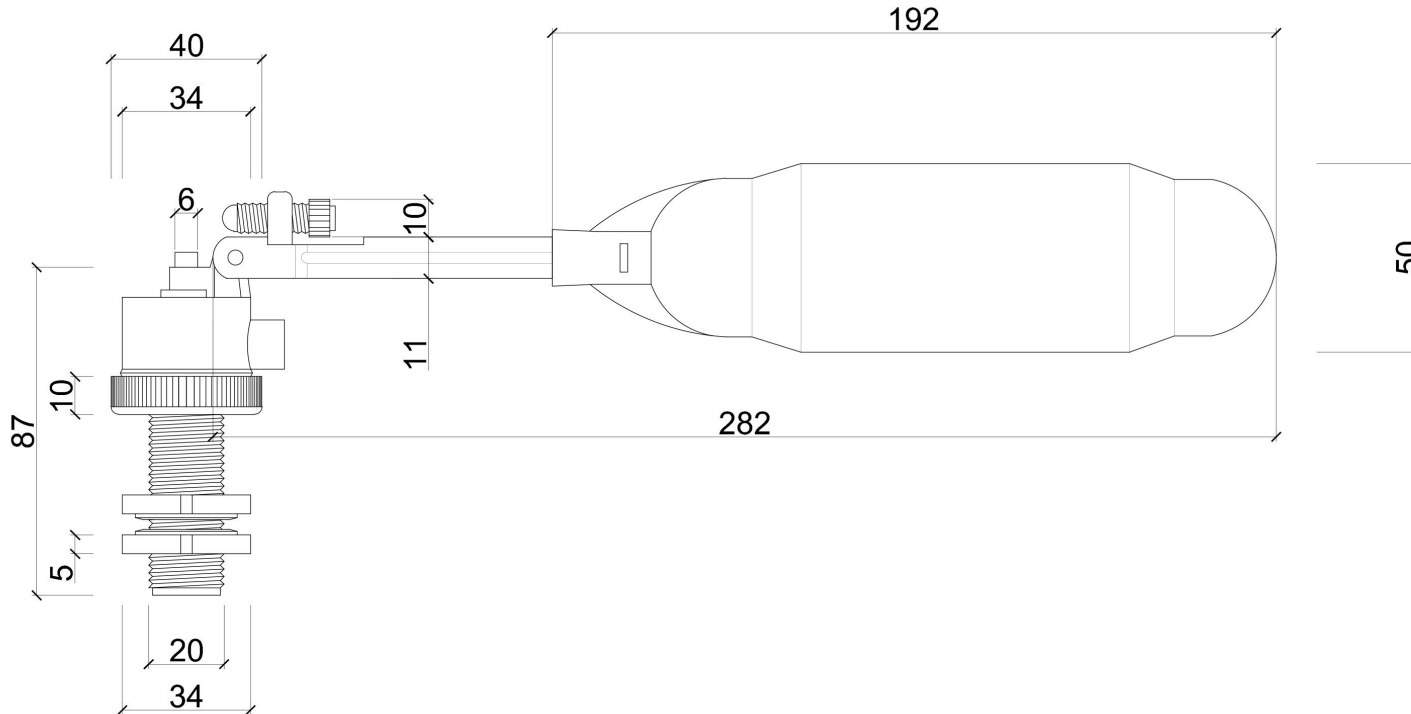



PRODUCT TECHNICAL DATA SHEET



Note:

- ALL DIMENSIONAL TOLERANCE $\pm 5\%$
- WEIGHT TOLERANCE $\pm 5\%$

Manufacturer may change product dimensions without prior notice. For confirmation, please refer to Weserhoch Sdn Bhd

Part Name <h2 style="text-align: center;">INLET VALVE</h2>			Rev No.	Date	Weight
			A	15-2-2014	130g
Part No. Dwg No. <h2 style="text-align: center;">NJ508 (S) + FB200</h2>			Scale No.	Size	Sheet
			1:2	A4	1/2
Designed By	Checked By	Approved By	 Weserhoch Sdn Bhd.		
YK TAN	YS ONG	TC TAI			