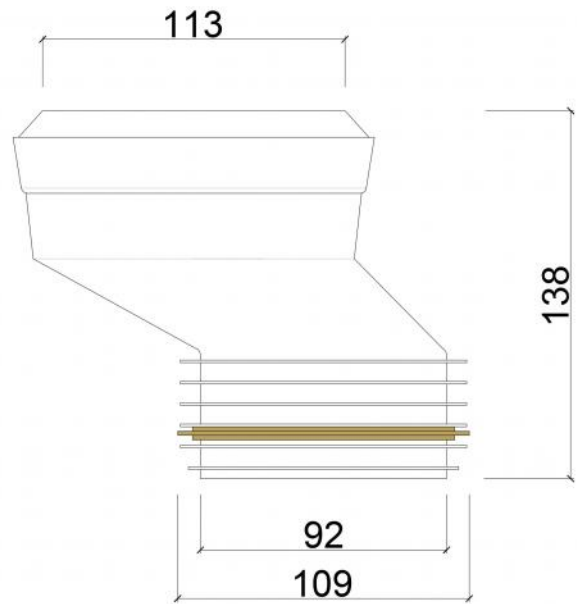
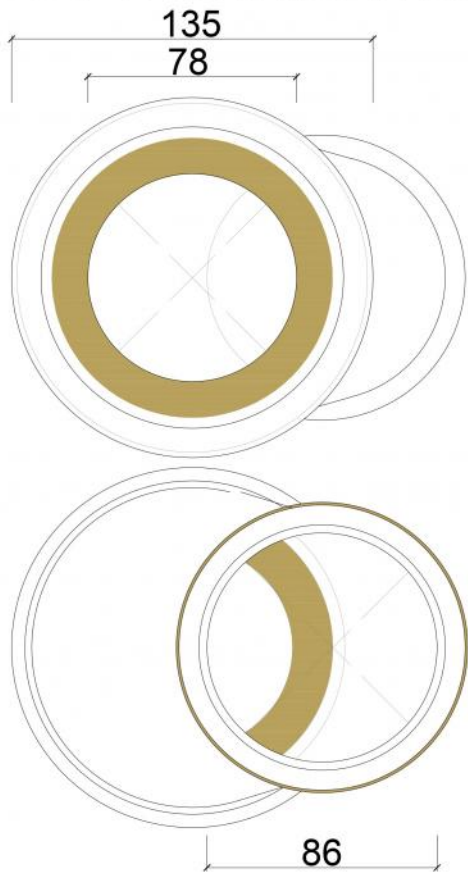


PRODUCT TECHNICAL DATA SHEET



Note:

-DIMENSIONAL PLASTIC TOLERANCE $\pm 2\%$

-DIMENSIONAL RUBBER TOLERANCE $\pm 5\%$

Manufacturer may change product dimensions without prior notice. For confirmation, please refer to Weserhoch Sdn Bhd

Part Name P12 CONNECTOR			Rev No.	Date	Weight
			5	12-8-2013	190g
Part No. Dwg No. P12			Scale No.	Size	Sheet
			1:2	A4	1/2
Designed By	Checked By	Approved By	 Weserhoch Sdn Bhd.		
KD CHONG	YS ONG	TC TAI			