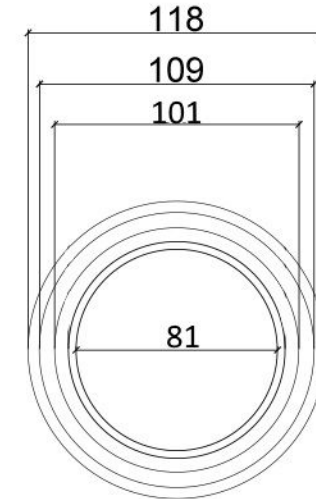
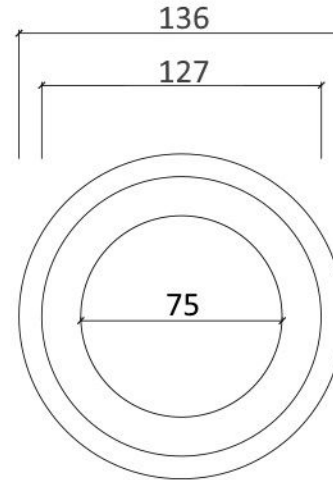
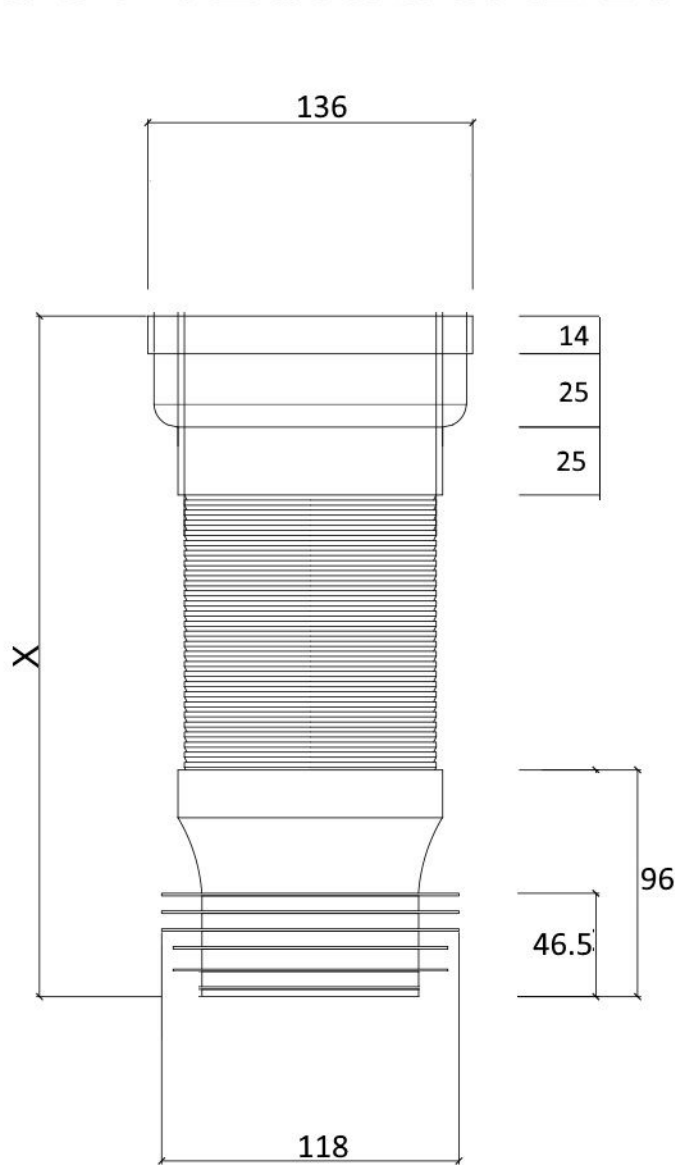



PRODUCT TECHNICAL DATA SHEET



	Maximum	Minimum
X	545mm	245mm

Part Name		Rev No.	Date	Weight
FLEXIBLE CONNECTOR		A	21.02.2018	460g
		Part No. Dwg No.		
P68		Scale No.	Size	Sheet
		1:3	A4	1/2
Designed By	Checked By	Approved By		
KK KWANG	YK TAN	TC TAI		
		 Weserhoch Sdn Bhd.		

Note:

- DIMENSIONAL PLASTIC TOLERANCE $\pm 2\%$
- DIMENSIONAL RUBBER TOLERANCE $\pm 5\%$