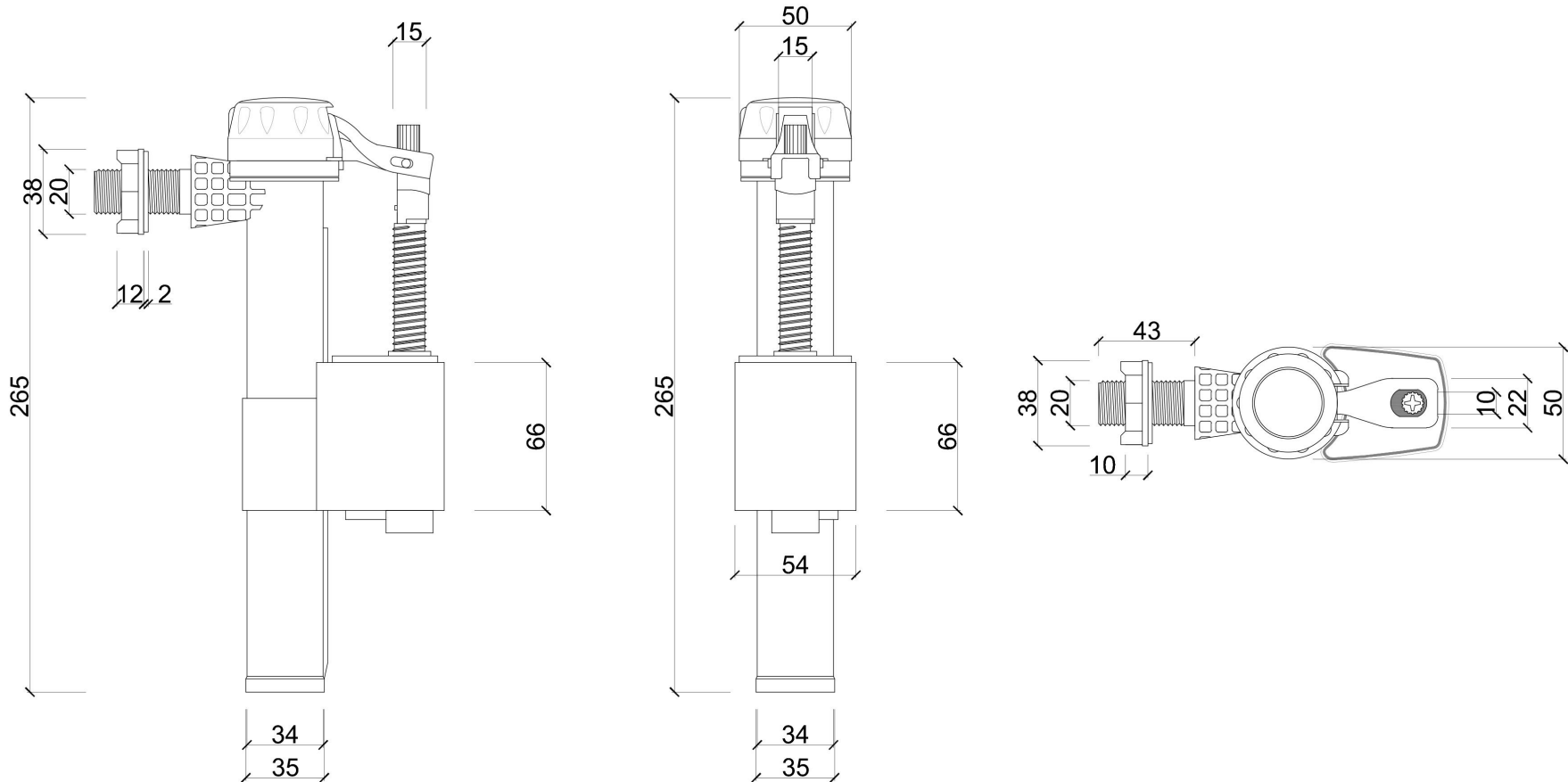


PRODUCT TECHNICAL DATA SHEET



Note:

- ALL DIMENSIONAL TOLERANCE $\pm 5\%$
- WEIGHT TOLERANCE $\pm 5\%$

Manufacturer may change product dimensions without prior notice. For confirmation, please refer to Weserhoch Sdn Bhd

<i>Part Name</i>			Rev No.	Date	Weight
INLET VALVE			A	6-12-2013	206g
			<i>Part No. Dwg No.</i>		
NJ808			1:3	A4	1/2
			Designed By	Checked By	Approved By
YK TAN	KD CHONG	TC TAI			