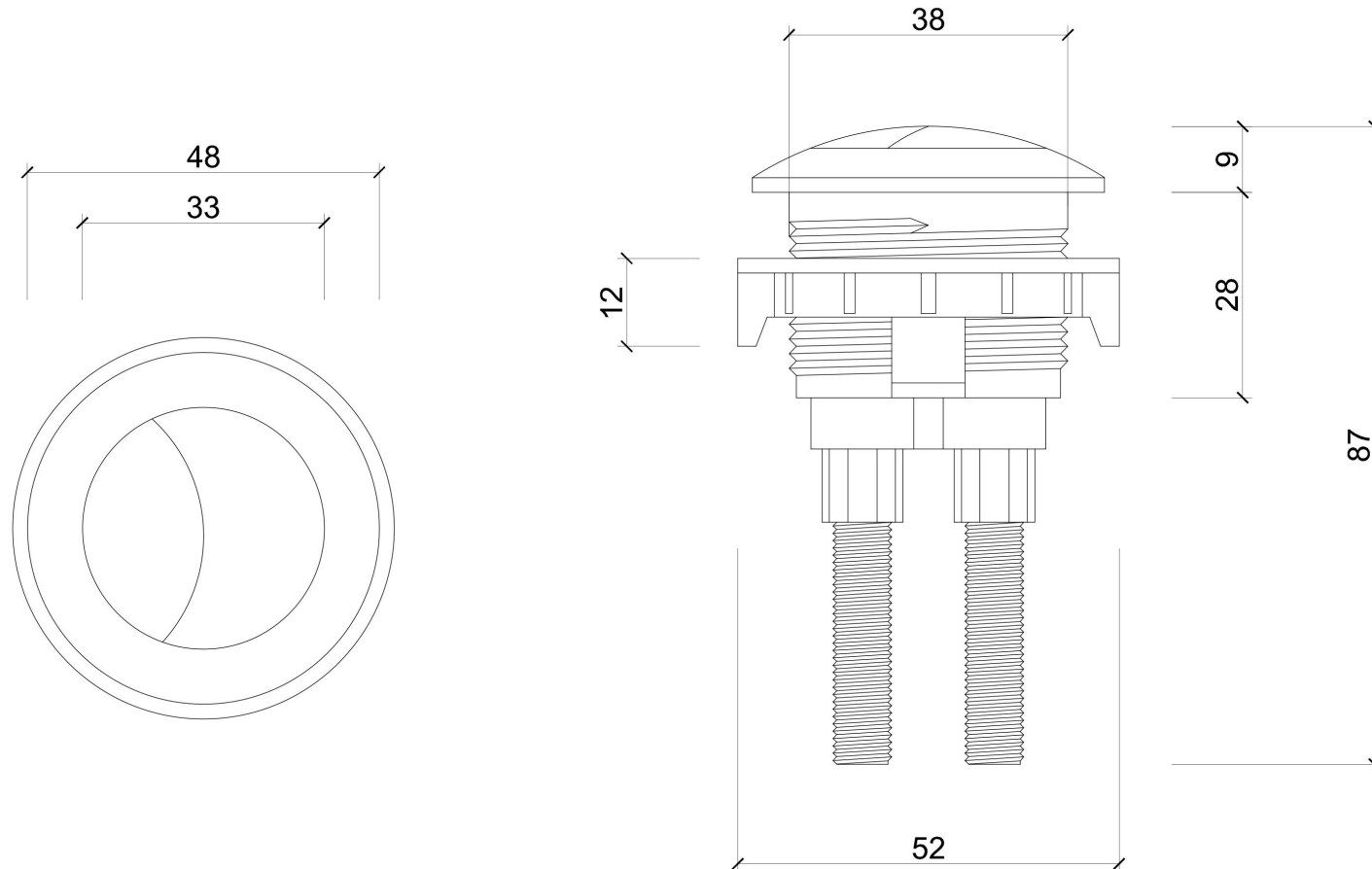


PRODUCT TECHNICAL DATA SHEET



Note:

- ALL DIMENSIONAL TOLERANCE $\pm 5\%$
- WEIGHT TOLERANCE $\pm 5\%$

Manufacturer may change product dimensions without prior notice. For confirmation, please refer to Weserhoch Sdn Bhd

<i>Part Name</i>			<i>Rev No.</i>	<i>Date</i>	<i>Weight</i>
CHROMED PRESS BUTTON			A	15-8-2014	40g
			<i>Part No. Dwg No.</i>		
PB200X (38mm)			1:1	A4	1/2
			<i>Designed By</i>	<i>Checked By</i>	<i>Approved By</i>
KK KWANG	YS ONG	TW TEE			