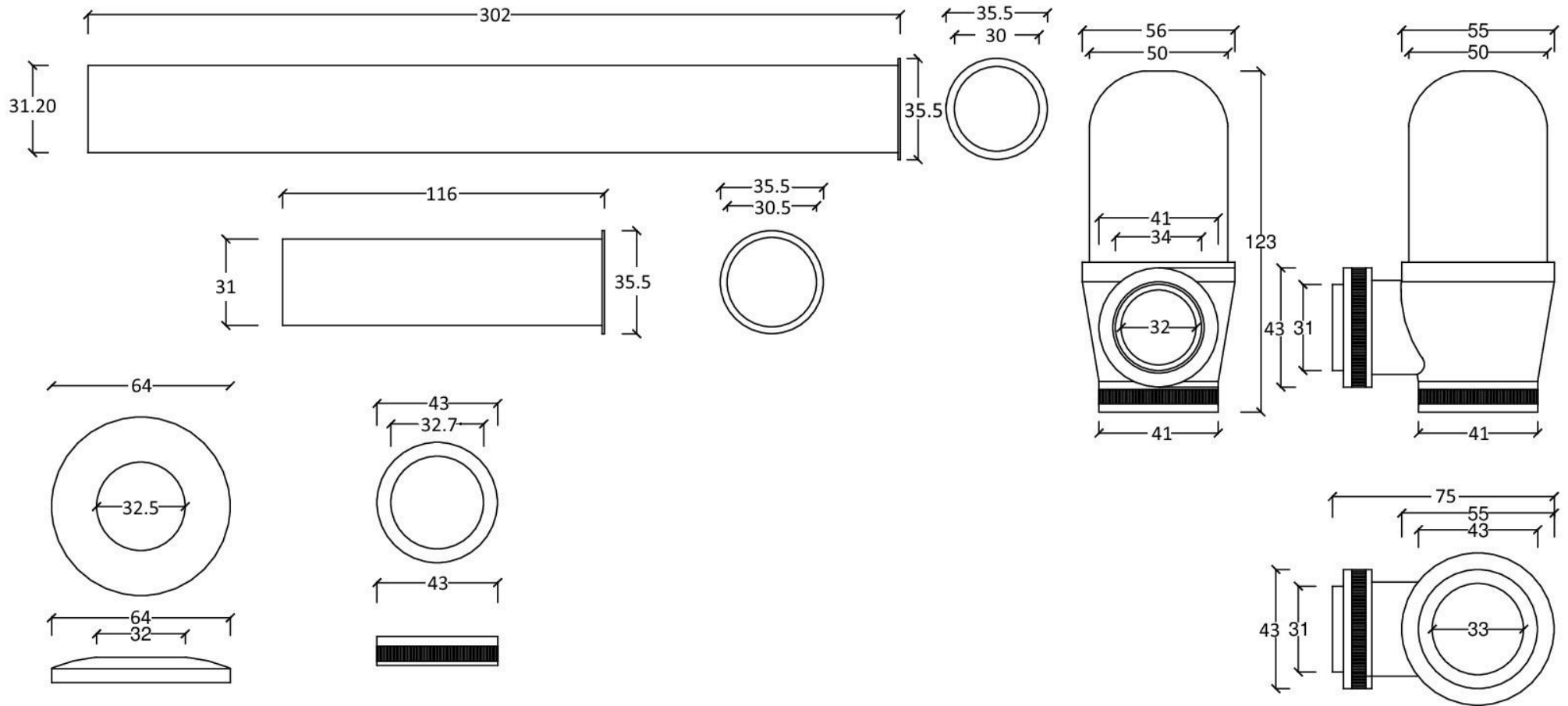


# PRODUCT TECHNICAL DATA SHEET



**Note:**  
 -DIMENSIONAL TO TOLERANCE +2mm  
 WEIGHT TOLERANCE +5%

<i>Part Name</i>	<b>1.2" ZINC ALLOY BASIN BOTTLE TRAP</b>		
	Rev No.	Date	Weight
<i>Part No. Draw No.</i>	1	17-05-2018	300g
	Scale No.	Size	Sheet
	BT32Z	1:2	A4 1
Designed By	Checked By	Approved By	<b>Weser</b> Weserhoch Sch Bhd.
KISHA	TUHIN	TC TAI	