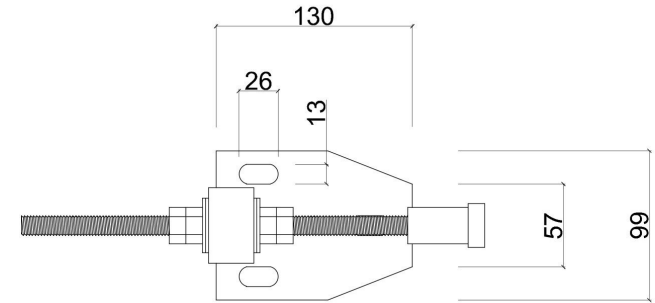
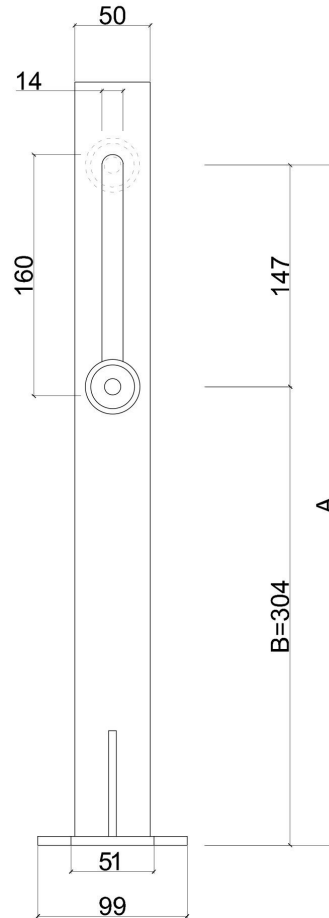
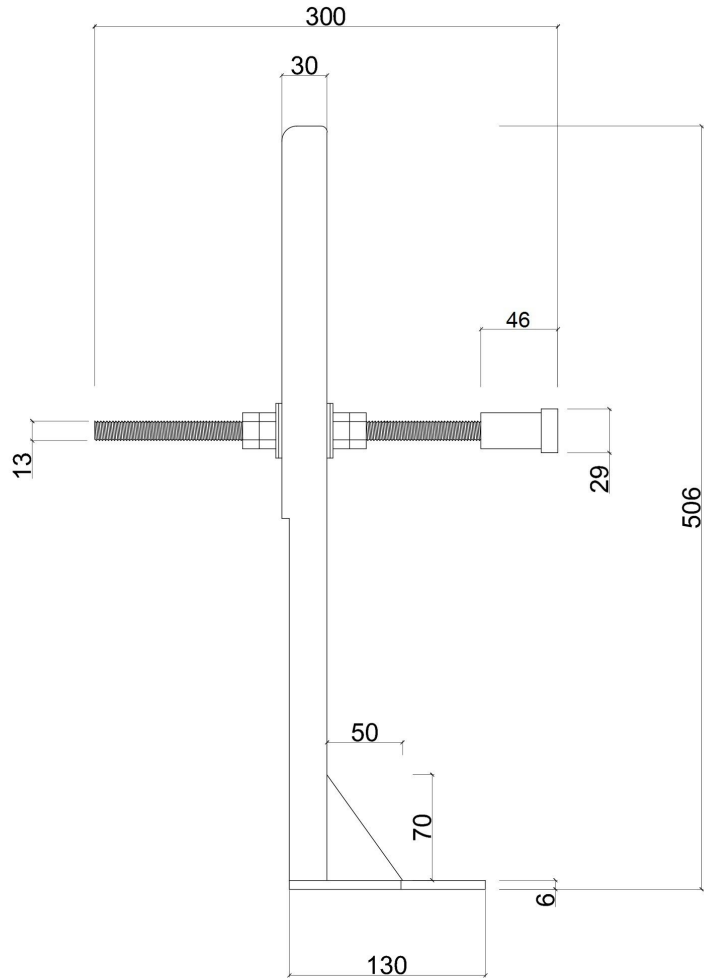


PRODUCT TECHNICAL DATA SHEET



	DIMENSION
A	B + 147
B	304

Note:

- ALL DIMENSIONAL TOLERANCE $\pm 5\%$
- WEIGHT TOLERANCE $\pm 5\%$

Manufacturer may change product dimensions without prior notice. For confirmation, please refer to Weserhoch Sdn Bhd

<i>Part Name</i>		Rev No.	Date	Weight
WALL HUNG BRACKET		1	06-07-2017	2450g
		<i>Part No. Dwg No.</i>		Scale No.
WHB100		1:5	A4	1/2
		Designed By	Checked By	Approved By
YK TAN	KK KWANG	TC TAI		