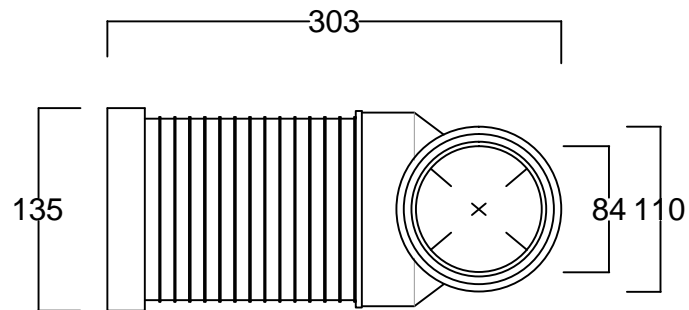
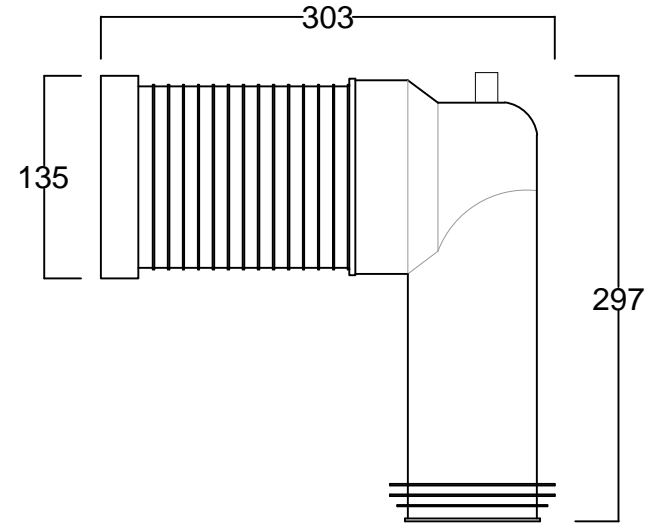
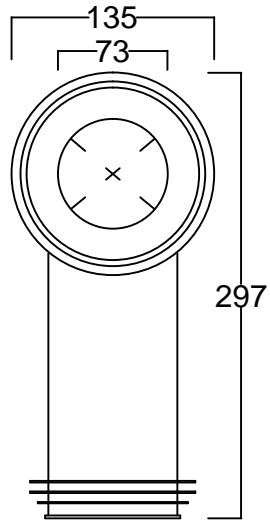



PRODUCT TECHNICAL DATA SHEET



Note:
 -DIMENSIONAL TO TOLERANCE ±2mm
 WEIGHT TOLERANCE ±5%

<i>Part Name</i>			<i>Rev No.</i>	<i>Date</i>	<i>Weight</i>
P500 CONNECTOR			9	13-4-2016	577g
<i>Part No.</i>			<i>Scale No.</i>	<i>Size</i>	<i>Sheet</i>
P500			1:5	A4	1/2
<i>Dwg No.</i>	<i>Designed By</i>	<i>Checked By</i>	<i>Approved By</i>	 Weserhoch Sdn Bhd.	
	CY YEE	IRIS TAY	TC TAI		