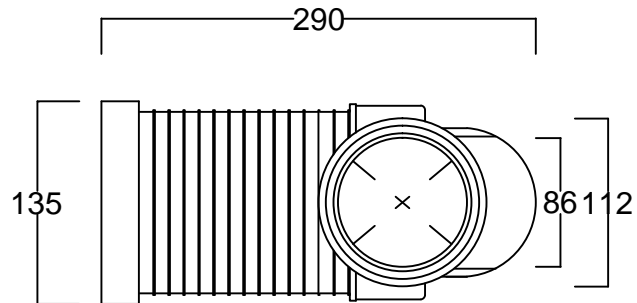
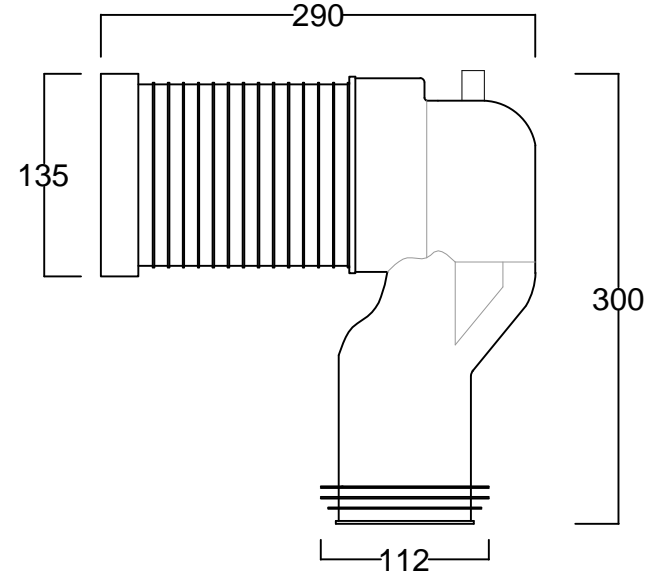
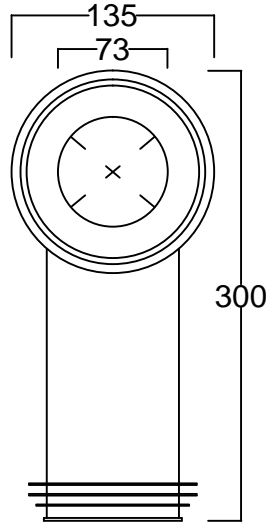



PRODUCT TECHNICAL DATA SHEET



Note:
 -DIMENSIONAL TO TOLERANCE ±2mm
 WEIGHT TOLERANCE ±5%

<i>Part Name</i>		Rev No.	Date	Weight
P510 CONNECTOR		10	13-4-2016	542g
<i>Part No.</i>		Scale No.	Size	Sheet
P510		1:5	A4	1/2
<i>Dwg. No.</i>	Designed By	Checked By	Approved By	 Weserhoch Sdn Bhd.
	CY YEE	IRIS TAY	TC TAI	