

SPEAKER VOLUME CONTROLLERS

VC7000
VC8000

From contemporary to classic design, Amperes offers choices for different installation needs. The variants are in three different designs and available in various ratings, ranging from 5 watts to 150 watts 100V line.

They are suitable for 4 wire system installation with built in emergency overriding relay and overriding LED indicator.



VC7000 - 5 - 150W 100V (86 x 86 mm)

Features

- Suitable for 4 wire system : 2 for 100V line , 2 for 24V DC overriding signal
- Built in overriding relay to allow emergency signal to bypass volume attenuation
- Overriding LED indicator whenever EM paging is activated
- 5 preset attenuation with OFF
- Large cable terminal block for ease of termination



VC8000 - 5 - 100W 100V (86 x 86 mm)



VC7000A - 5 - 100W 100V (70 x 120 mm)

For 70 x 120 faceplate series:
Vertical and Horizontal version available

Technical Specifications

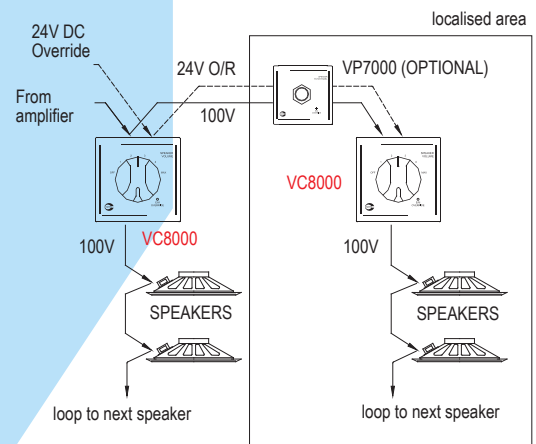
Power rating	Refer to variants
Overriding voltage	24V DC
Overriding current	15 mA
Attenuation	6 steps incl. OFF
Attenuation / step	6 dB / step
Attenuation method	VC7005 / 7010 / 8010 - Resistive Others - Auto transformer
Colour	White
Size (W x H x D)	VC7000 / 8000 - 86 x 86 x 40 mm VC7000A - 70 x 120 x 40 mm
Weight	VC7805 / 7005 / 7010 - 100 gms VC7030 / 7050 - 240 gms VC7100 / 7150 - 380 gms VC8010 - 240 gms VC8030 - 240 gms VC8050 - 240 gms VC8100 - 260 gms

Back Enclosure (Optional) :

Conceal enclosure	77 x 77 x 60 mm
Surface enclosure	85 x 85 x 60 mm

Application Schematic

4 wire system installation



Variants :

VC8000 SERIES (86 X 86 mm)

VC8010 :	10W 100V Line Resistive
VC8030 :	30W 100V Line Auto Trans
VC8050 :	50W 100V Line Auto Trans
VC8100 :	100W 100V Line Auto Trans

VC7000 SERIES (86 x 86 mm)

VC7810 :	10W 8 OHM Resistive
VC7005 :	5W 100V Line Resistive
VC7010 :	10W 100V Line Resistive
VC7030 :	30W 100V Line Auto Trans
VC7050 :	50W 100V Line Auto Trans
VC7100 :	100W 100V Line Auto Trans
VC7150 :	150W 100V Line Auto Trans

VC7000A SERIES (70 X 120 mm)

VC7010A :	10W 100V Line Resistive
VC7030A :	30W 100V Line Auto Trans
VC7050A :	50W 100V Line Auto Trans
VC7100A :	100W 100V Line Auto Trans

NOTE :

Wall concealed installation shall require back enclosure with depth of min 50 mm from finishing surface for models with auto transformer. Normal electrical back enclosure shall suffice for installation using resistive volume controllers. ie. VC7005 / 7010 / 8010

