



Luminaire Specifications

Power	3W, 6W, 9W, 12W
Input Voltage	AC220 – 240V 50/60Hz
Fitting Color	White
Material	Pure Aluminum, Polycarbonate
Ingress Protection	IP 20
Operating Temperature	20 - 50°C

Product Features

- Energy saving
- All aluminium die casting shell
- Good heat dissipation
- Freely adjust angle, simple and attractive appearance.
- Effective gathering light.

Application

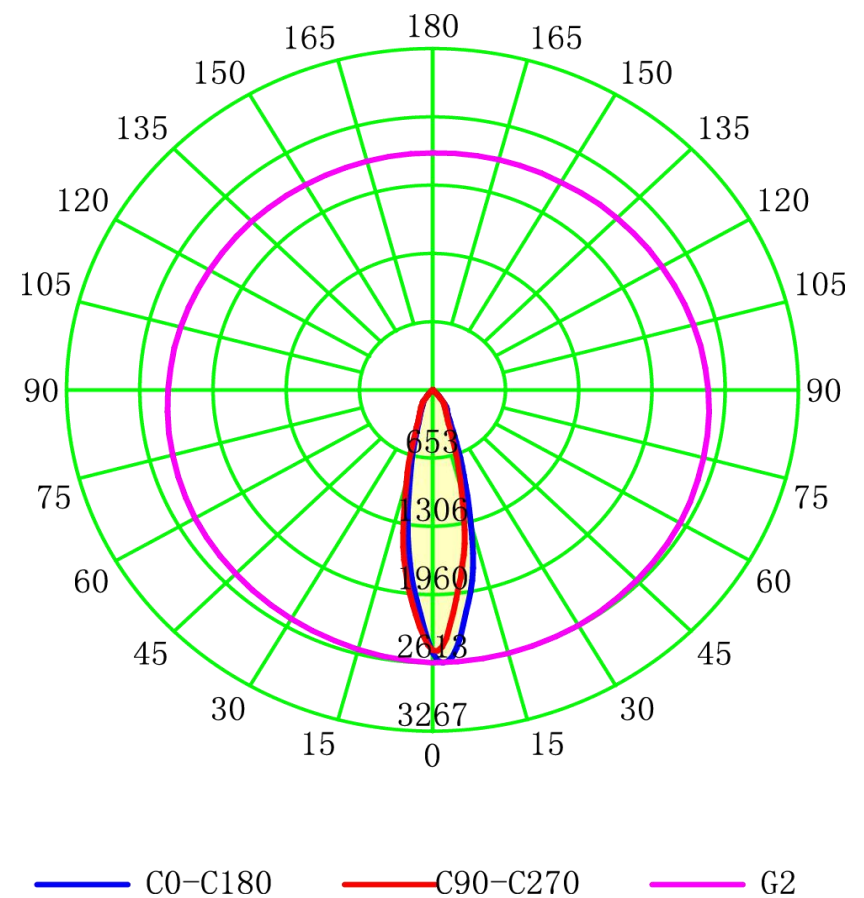
- Fair
- Exhibition stand
- Cabinet
- Supermarket
- Hotel.



Code	Watt	Lumen	Size	Open Hole	Degree
JDC-CSL25-3PZ-V	3W	200 Lm	85*54 mm	75 mm	30°
JDC-CSL25-6PZ-V	6W	400 Lm	85*54 mm	75 mm	30°
JDC-CSL30-6PZ-V	6W	400 Lm	110*65 mm	95 mm	30°
JDC-CSL40-12PZ-V	12W	800 Lm	138*85 mm	120 mm	30°

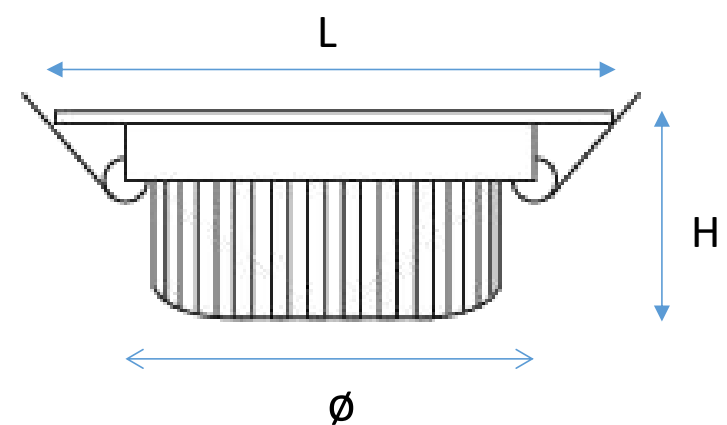
LED Technical Data

Light LED Source	Led SMD 2835
Color Temperature	3000K Warm White 4000K Nature White 5700K Cool White
Rendering Index	>RA 70
LED life cycle	50,000hours @ 35°C



LED Driver Technical Data

LED Driver Brands	JDC
Power Factor	0.5
Life Cycle	> 10,000 hours

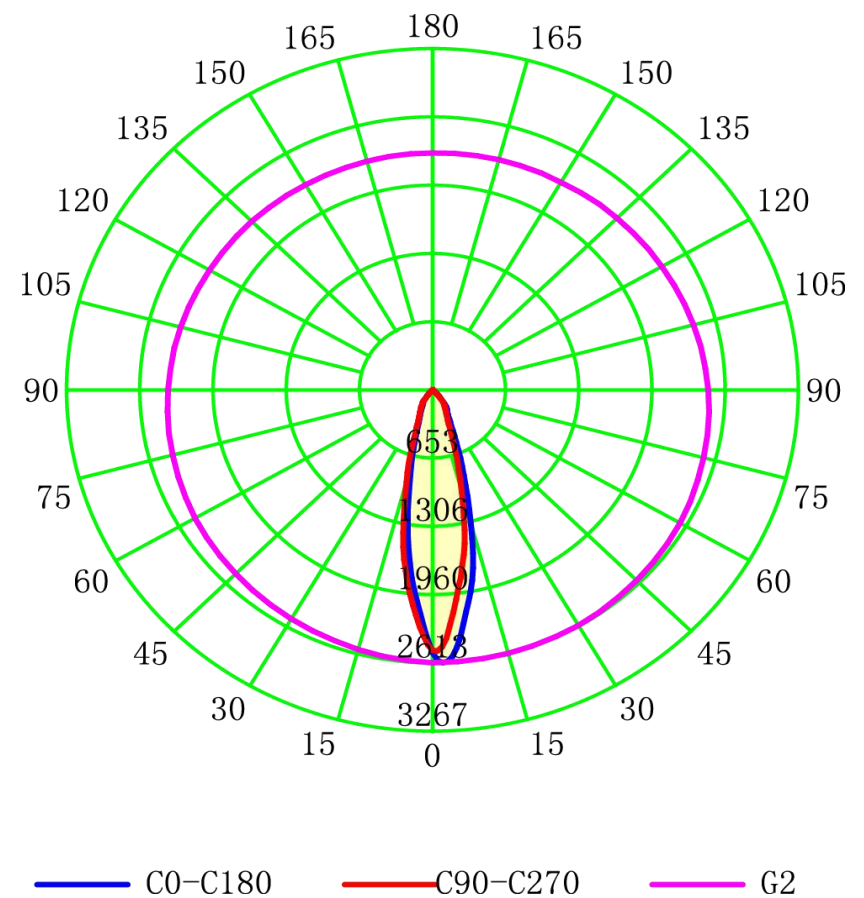




Code	Watt	Lumen	Size	Open Hole	Degree
HLP-CSL25-6PZ-V	6W	450 Lm	85*54 mm	75 mm	30°
HLP-CSL30-9PZ-V	9W	700 Lm	110*65 mm	95 mm	30°
HLP-CSL40-12PZ-V	12W	900 Lm	138*85 mm	120 mm	30°

LED Technical Data

Light LED Source	Led SMD 2835 / Lumileds LUXEON 3030 2D
Color Temperature	3000K Warm White 4000K Nature White 5700K Cool White
Rendering Index	>RA 80
LED life cycle	LM80 52,000hours @ 35°C



LED Driver Technical Data

LED Driver Brands	HL Platinum
Power Factor	>0.9
Life Cycle	> 20,000 hours

