

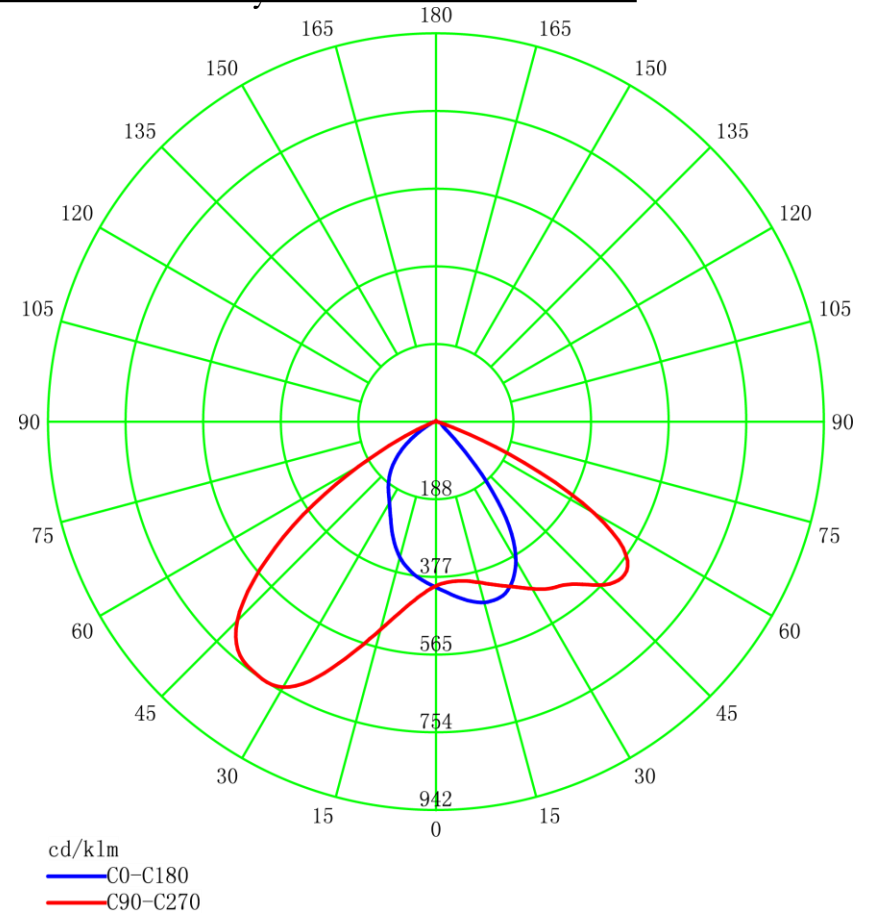


ZY Series Street Light 90w

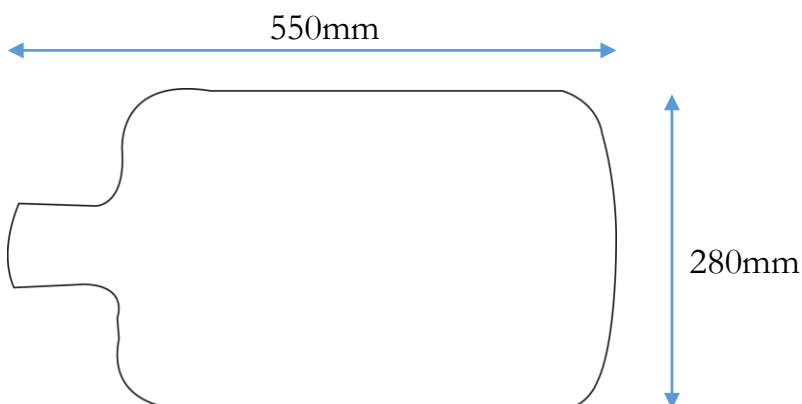
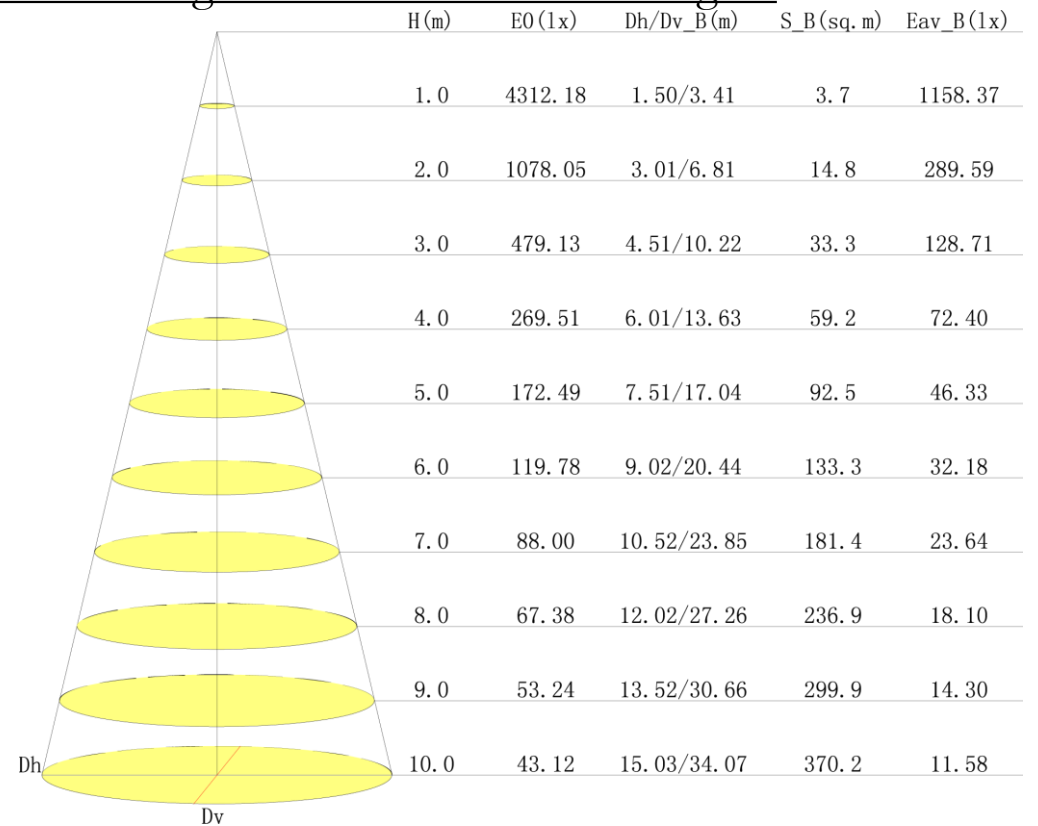


- Code : SL-SLZY90-PP-V
- Power Consumption : 90W
- Input Voltage : AC 110-240V
- Input Current : 0.394A
- Frequency : 50/60Hz
- Power Factor : 0.95 PF
- Operating Temperature : 20~50°C
- CRI : >80
- Luminous Flux : 10726.4 Lm
- Luminous Efficiency : 119.18 Lm/w
- CCT : 3000K / 4000K / 5700K
- LED Source : Philips Lumileds 3030 (LM80)
- Driver : MEANWELL / PHILIPS DRIVER
- IP Rating : IP 65
- Surge Protection : 10kA
- Beam Angle : 120°x 75°
- Lifespan : >50,000H
- Material : Die Cast Aluminium, Polycarbonate
- Dimension : 550*280*73
- Warranty : 5 Years

Luminous Intensity Distribution Curve



The Average Illuminance Effective Figure



Application Area

Amenity Lighting, Small road, Garden Road and Factory Area.

LUMILEDS



LUXEON 3030 2D

PHILIPS

Xitanium

LED Driver



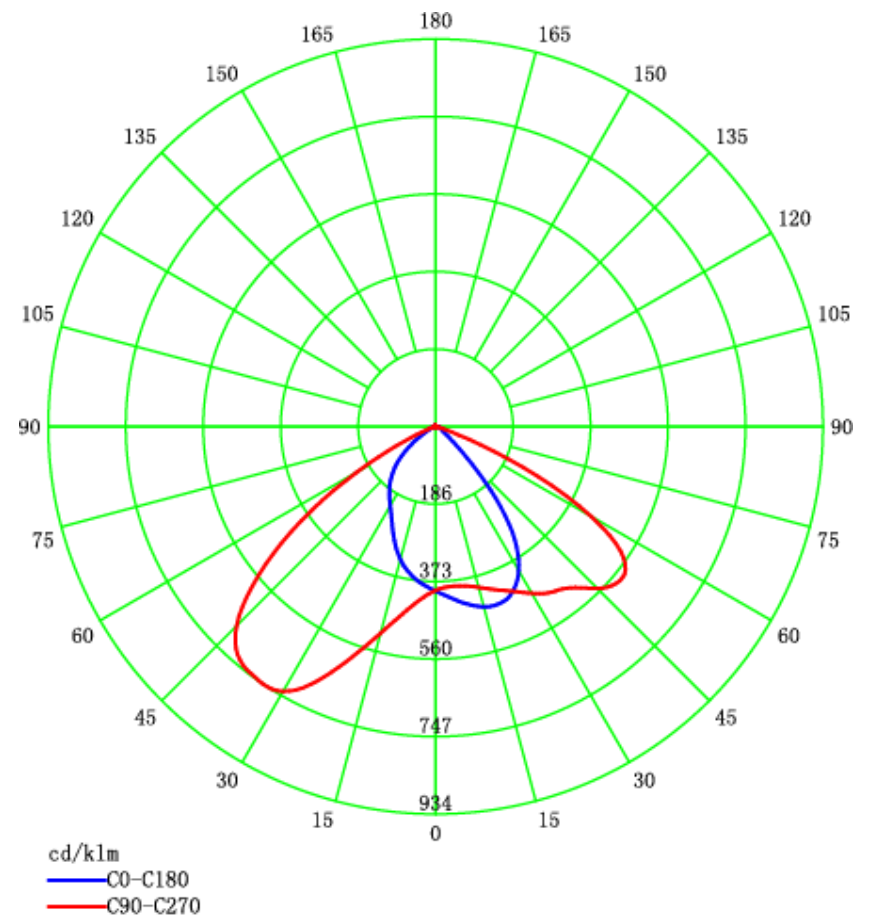


ZY Series Street Light 100w

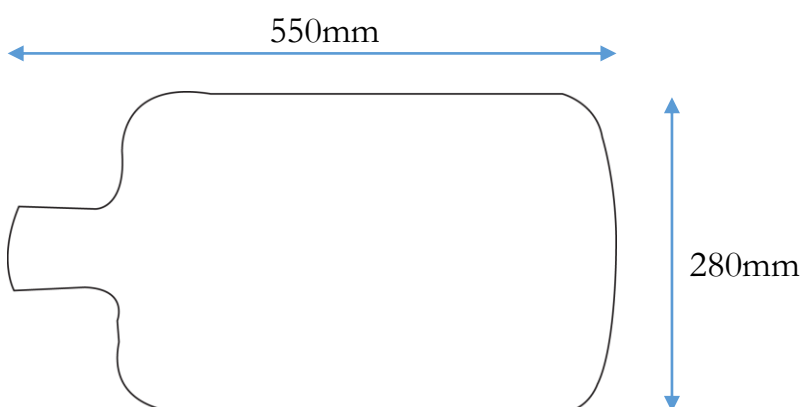
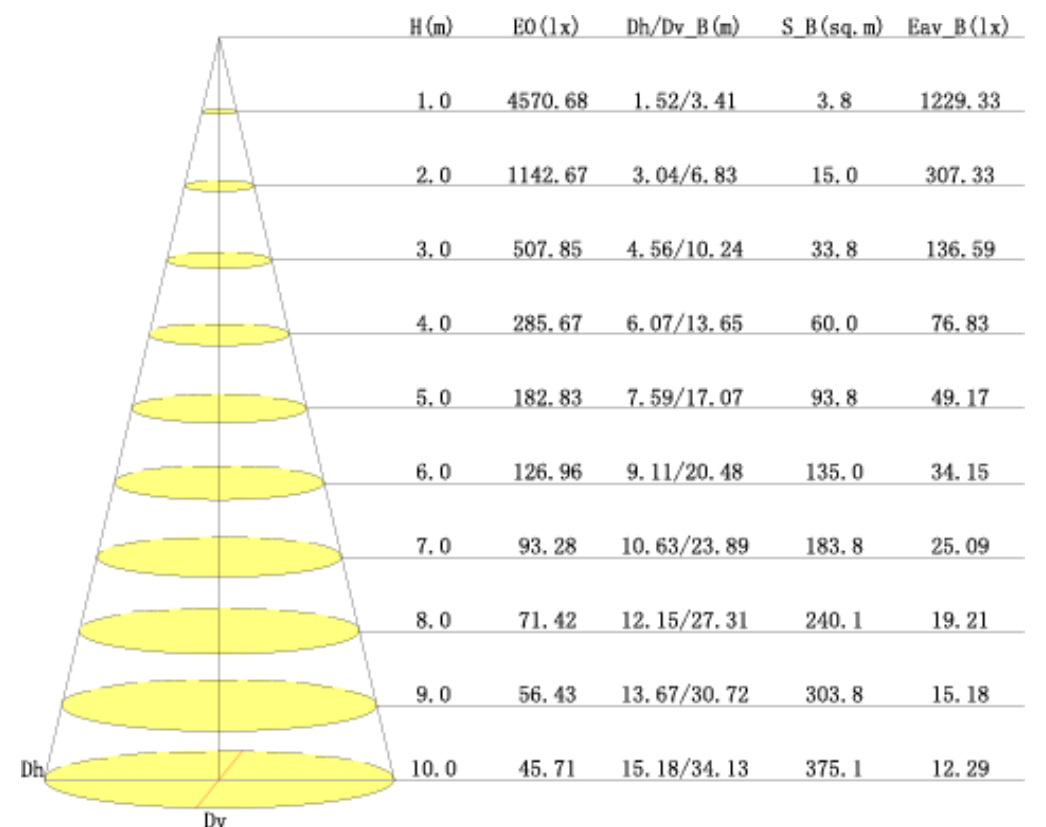


- Code : SL-SLZY100-PP-V
- Power Consumption : 100W
- Input Voltage : AC 110-240V
- Input Current : 0.438A
- Frequency : 50/60Hz
- Power Factor : 0.95 PF
- Operating Temperature : 20~50°C
- CRI : >80
- Luminous Flux : 11619.1 Lm
- Luminous Efficiency : 116.19 Lm/w
- CCT : 3000K / 4000K / 5700K
- LED Source : Philips Lumileds 3030 (LM80)
- Driver : MEANWELL / PHILIPS DRIVER
- IP Rating : IP 65
- Surge Protection : 10kA
- Beam Angle : 120°x 75°
- Lifespan : >50,000H
- Material : Die Cast Aluminium, Polycarbonate
- Dimension : 550*280*73
- Warranty : 5 Years

Luminous Intensity Distribution Curve



The Average Illuminance Effective Figure



Application Area

Amenity Lighting, Small road, Garden Road and Factory Area.

LUMILEDS



LUXEON 3030 2D

PHILIPS

Xitanium

LED Driver



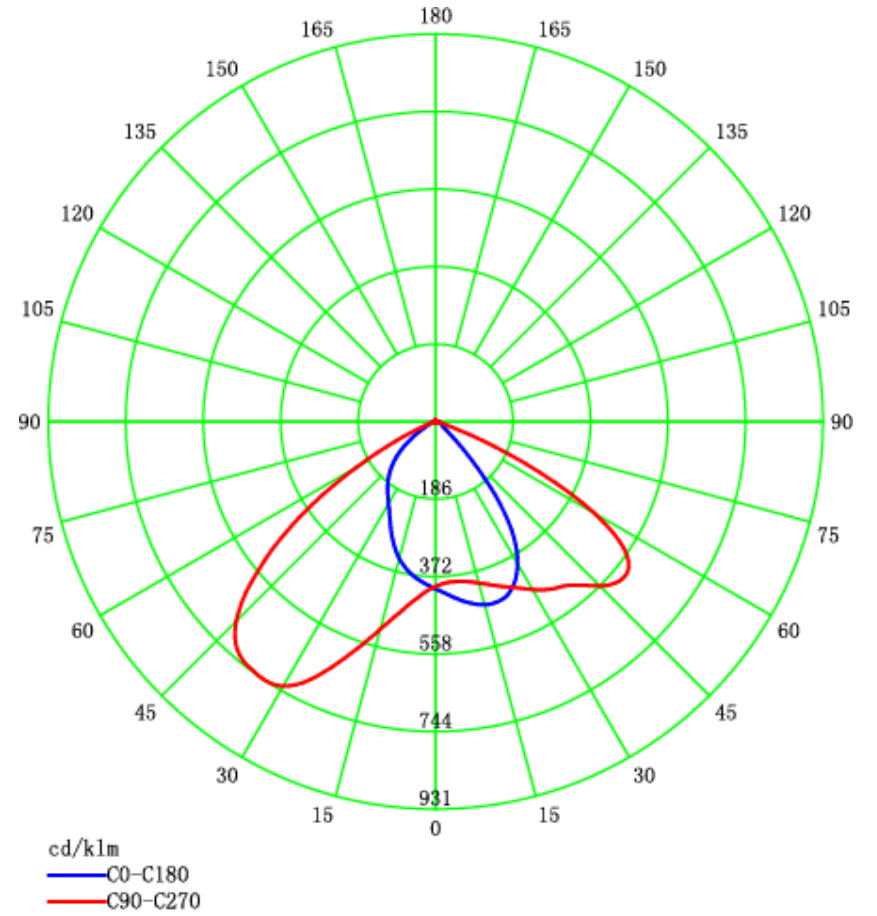


ZY Series Street Light 120w

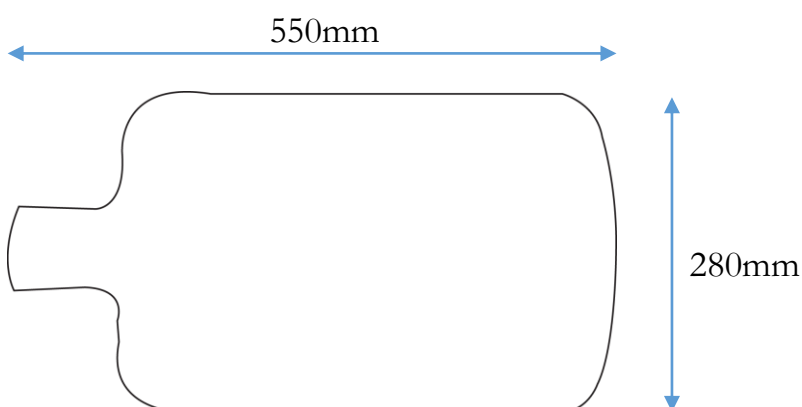
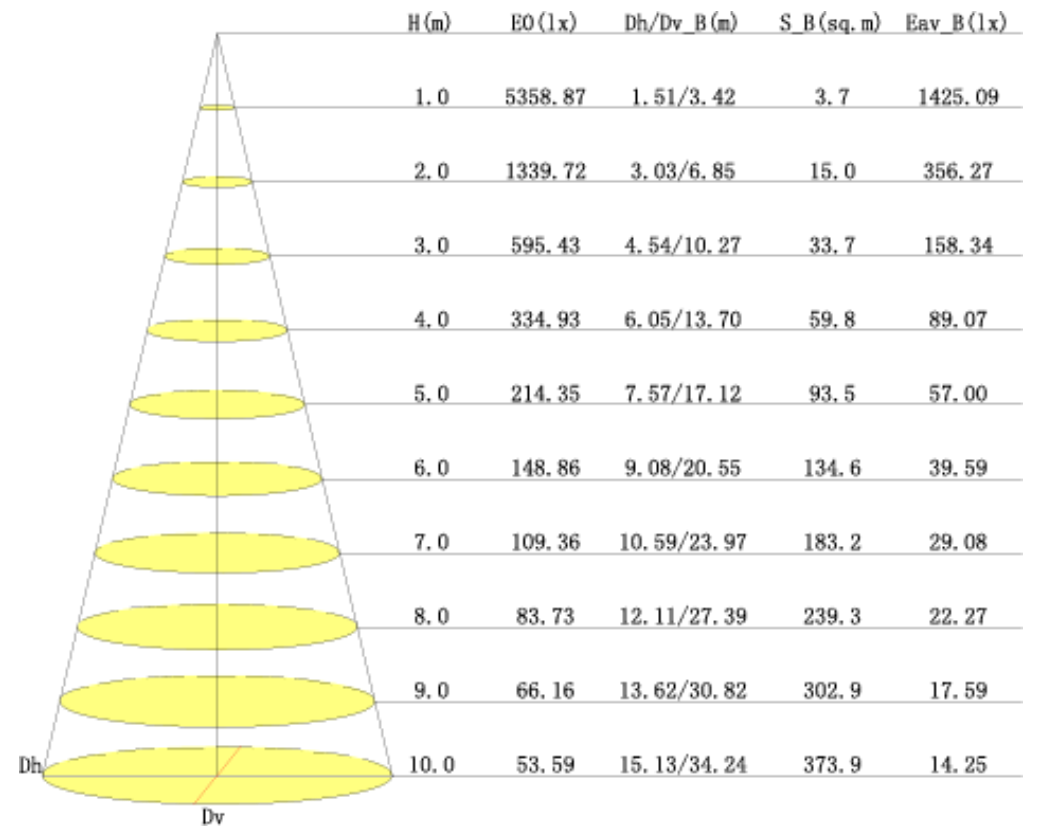


- Code : SL-SLZY120-PP-V
- Power Consumption : 120W
- Input Voltage : AC 110-240V
- Input Current : 0.526A
- Frequency : 50/60Hz
- Power Factor : 0.95 PF
- Operating Temperature : 20~50°C
- CRI : >80
- Luminous Flux : 13326.2 Lm
- Luminous Efficiency : 111.05 Lm/w
- CCT : 3000K / 4000K / 5700K
- LED Source : Philips Lumileds 3030 (LM80)
- Driver : MEANWELL / PHILIPS DRIVER
- IP Rating : IP 65
- Surge Protection : 10kA
- Beam Angle : 120°x 75°
- Lifespan : >50,000H
- Material : Die Cast Aluminium, Polycarbonate
- Dimension : 550*280*73
- Warranty : 5 Years

Luminous Intensity Distribution Curve



The Average Illuminance Effective Figure



Application Area

Amenity Lighting, Small road, Garden Road and Factory Area.

LUMILEDS



LUXEON 3030 2D

PHILIPS

Xitanium

LED Driver



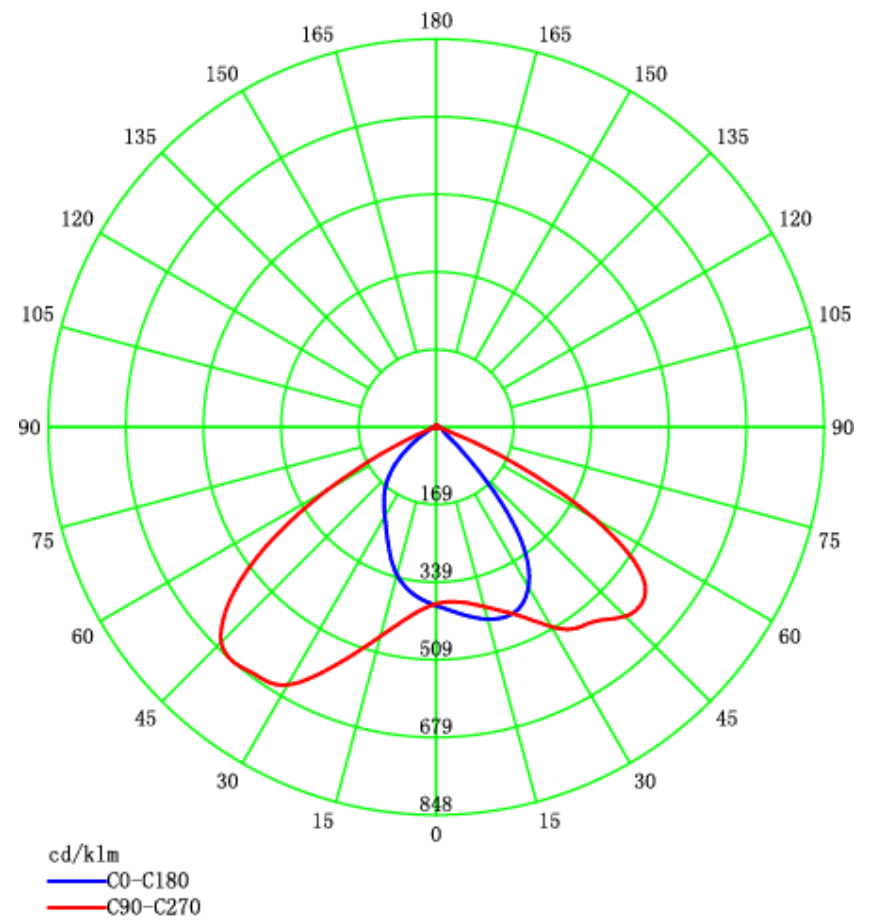


ZY Series Street Light 150w

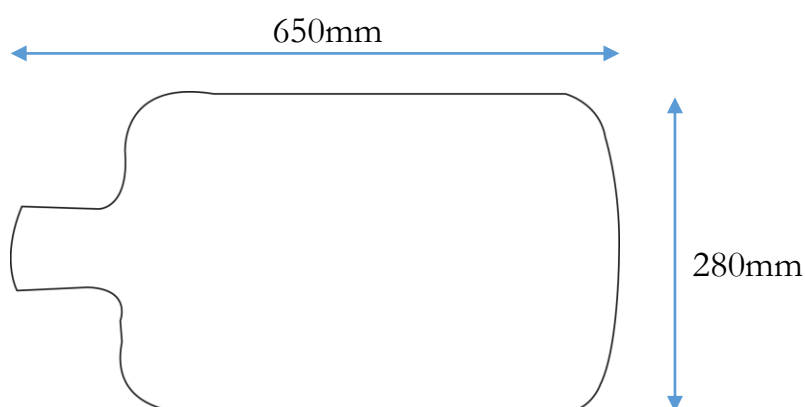
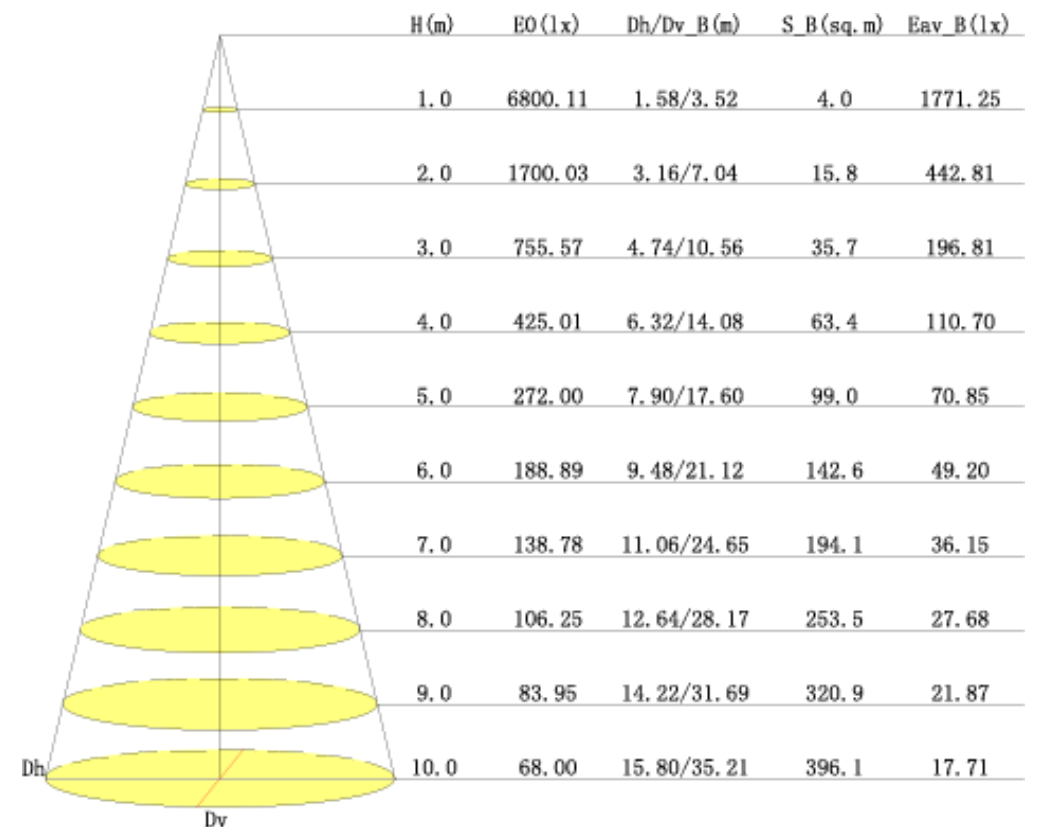


- Code : SL-SLZY150-PP-V
- Power Consumption : 150W
- Input Voltage : AC 110-240V
- Input Current : 0.657A
- Frequency : 50/60Hz
- Power Factor : 0.95 PF
- Operating Temperature : 20~50°C
- CRI : >80
- Luminous Flux : 17404.1 Lm
- Luminous Efficiency : 116.03 Lm/w
- CCT : 3000K / 4000K / 5700K
- LED Source : Philips Lumileds 3030 (LM80)
- Driver : MEANWELL / PHILIPS DRIVER
- IP Rating : IP 65
- Surge Protection : 10kA
- Beam Angle : 120°x 75°
- Lifespan : >50,000H
- Material : Die Cast Aluminium, Polycarbonate
- Dimension : 650*280*73
- Warranty : 5 Years

Luminous Intensity Distribution Curve



The Average Illuminance Effective Figure



Application Area

Amenity Lighting, Small road, Garden Road and Factory Area.

LUMILEDS



LUXEON 3030 2D

PHILIPS

Xitanium

LED Driver



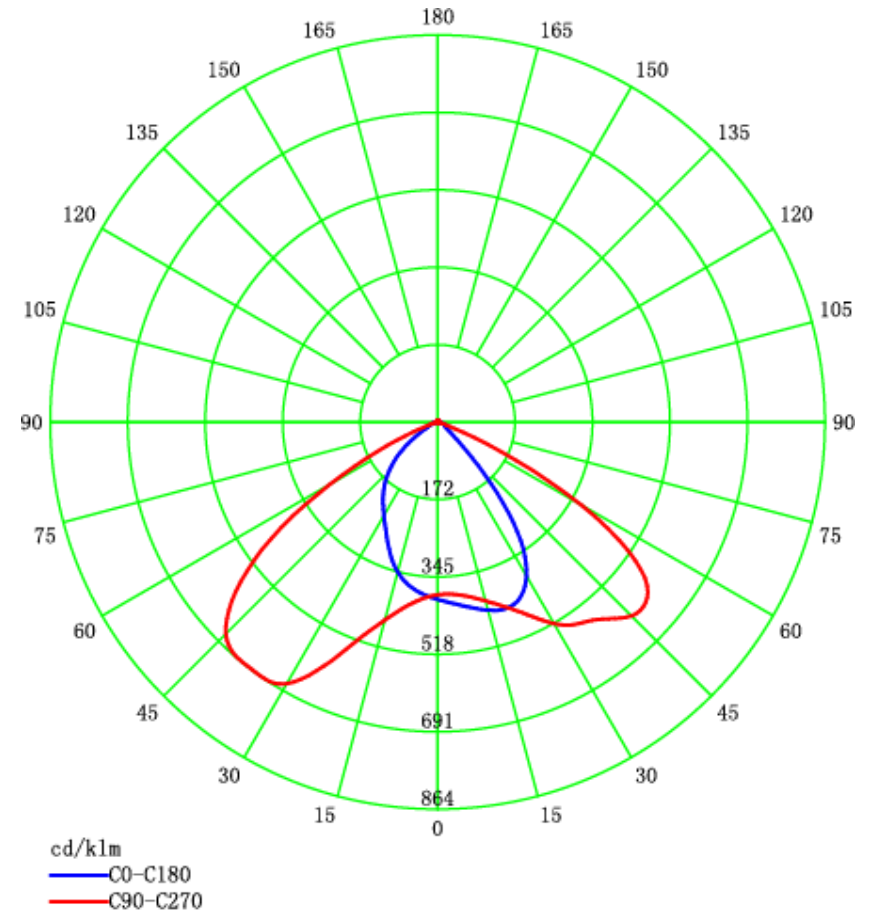


ZY Series Street Light 180w

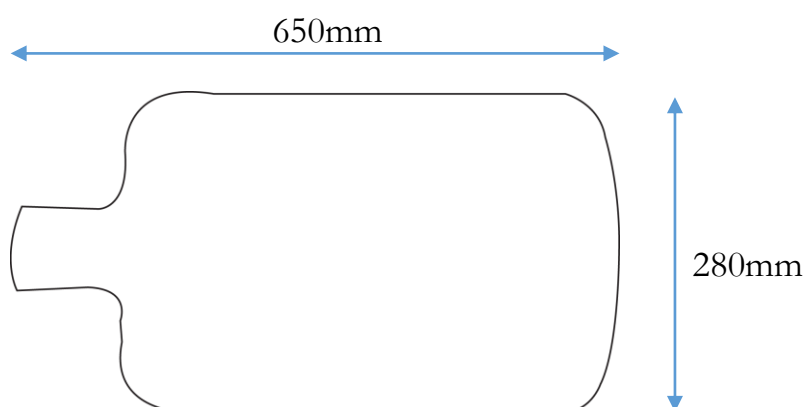
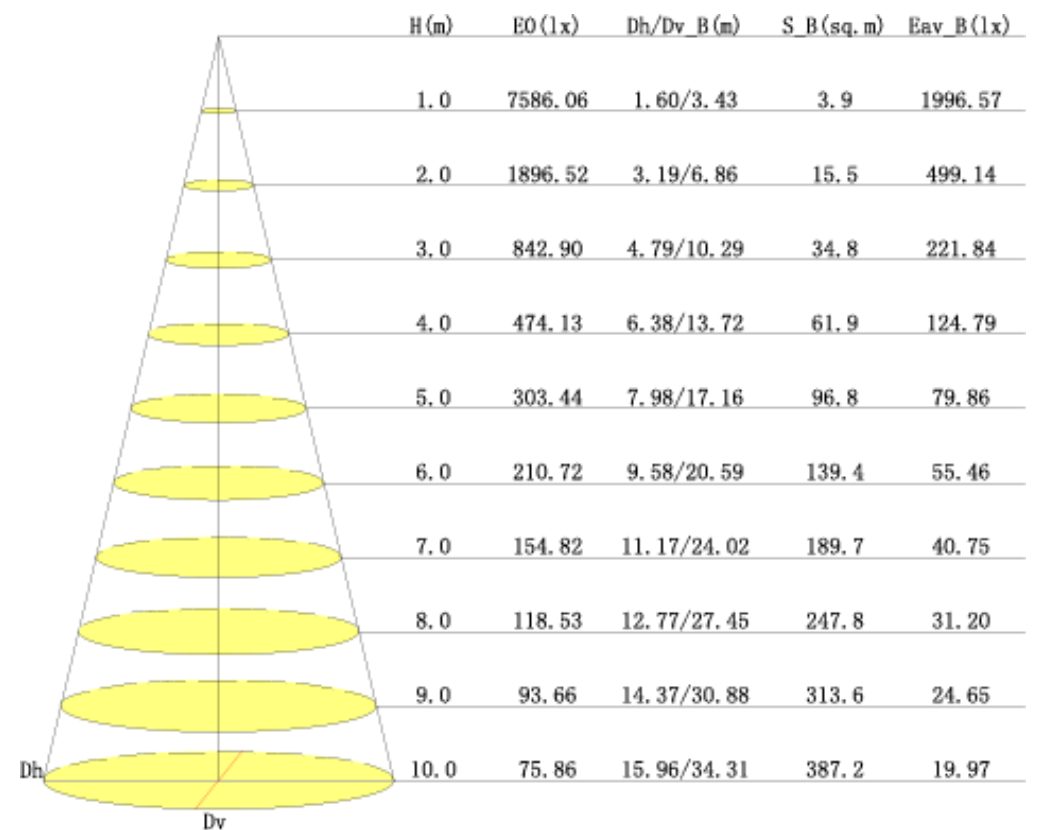


- Code : SL-SLZY180-PP-V
- Power Consumption : 180W
- Input Voltage : AC 110-240V
- Input Current : 0.789A
- Frequency : 50/60Hz
- Power Factor : 0.95 PF
- Operating Temperature : 20~50°C
- CRI : >80
- Luminous Flux : 19156.7 Lm
- Luminous Efficiency : 106.43 Lm/w
- CCT : 3000K / 4000K / 5700K
- LED Source : Philips Lumileds 3030 (LM80)
- Driver : MEANWELL / PHILIPS DRIVER
- IP Rating : IP 65
- Surge Protection : 10kA
- Beam Angle : 120°x 75°
- Lifespan : >50,000H
- Material : Die Cast Aluminium, Polycarbonate
- Dimension : 650*280*73
- Warranty : 5 Years

Luminous Intensity Distribution Curve



The Average Illuminance Effective Figure



Application Area

Amenity Lighting, Small road, Garden Road and Factory Area.

LUMILEDS



LUXEON 3030 2D

PHILIPS

Xitanium

LED Driver



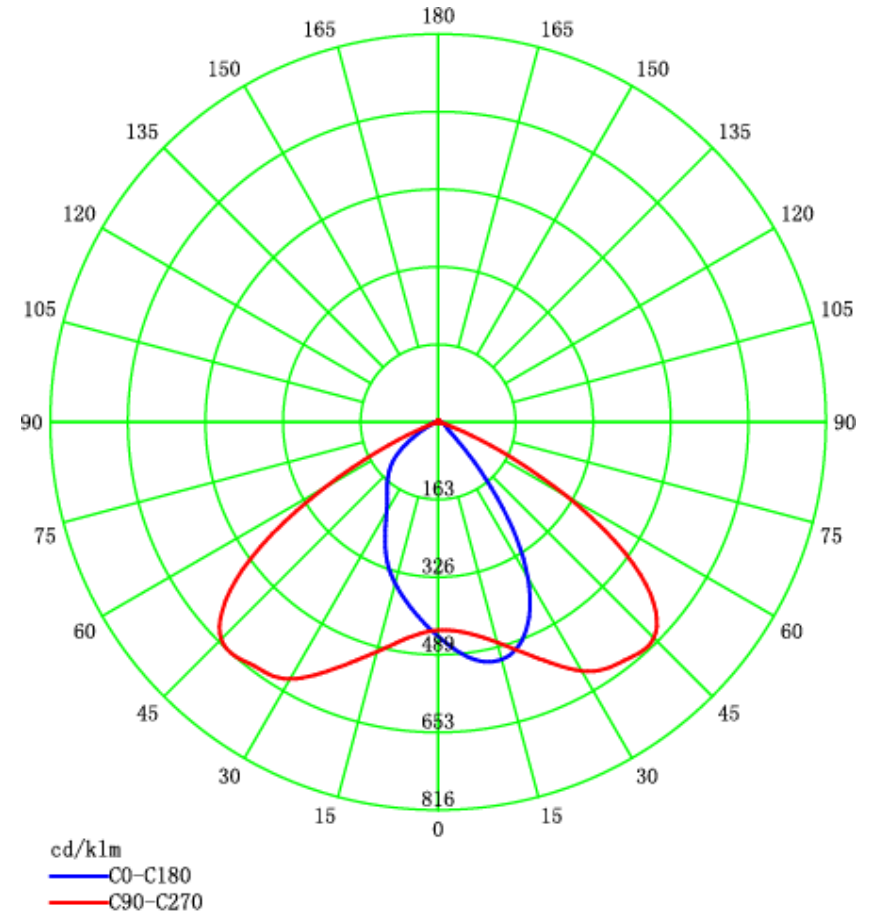


ZY Series Street Light 200w

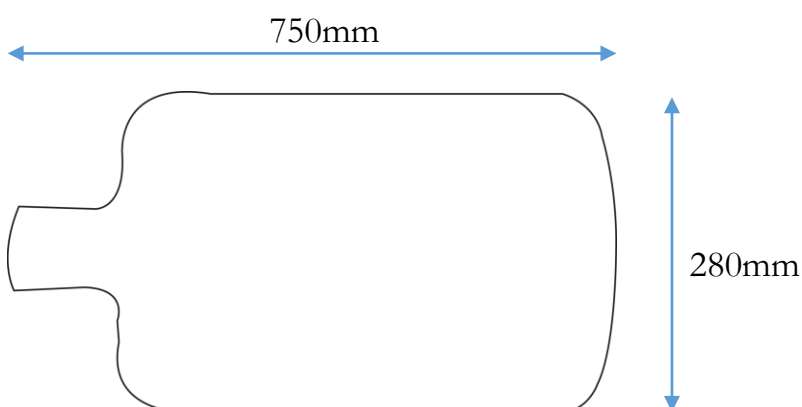
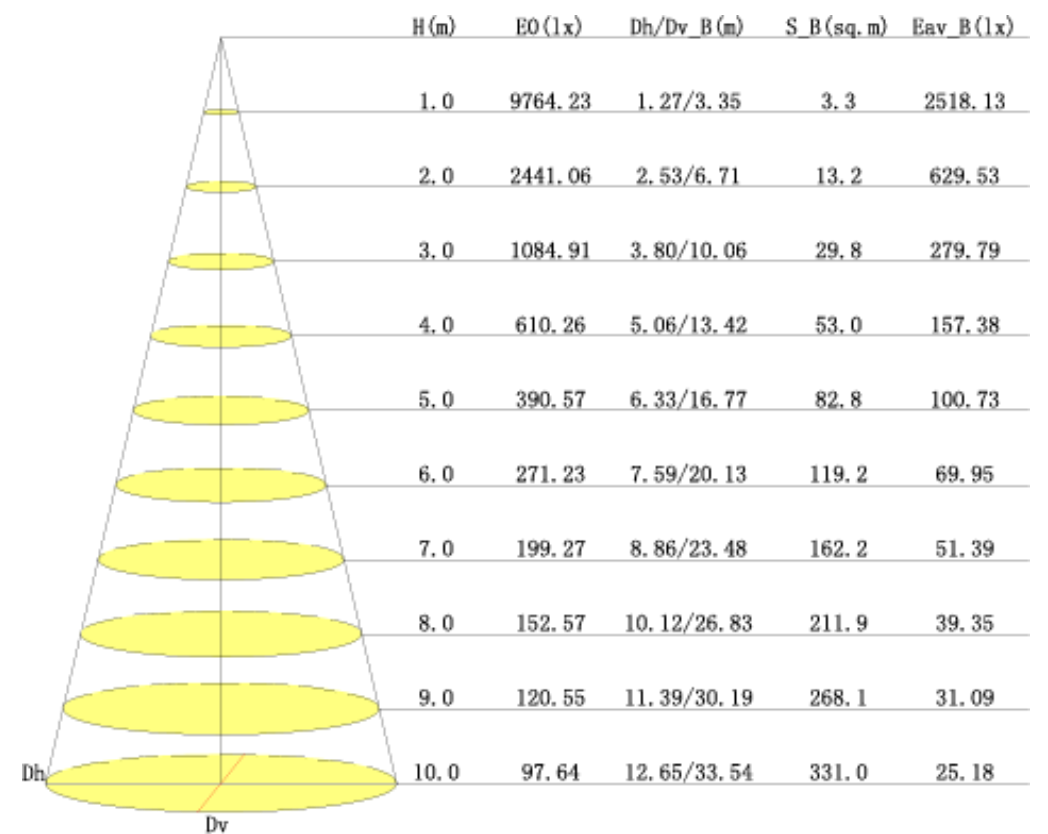


- Code : SL-SLZY200-PP-V
- Power Consumption : 200W
- Input Voltage : AC 110-240V
- Input Current : 0.877A
- Frequency : 50/60Hz
- Power Factor : 0.95 PF
- Operating Temperature : 20~50°C
- CRI : >80
- Luminous Flux : 21632.5 Lm
- Luminous Efficiency : 108.16 Lm/w
- CCT : 3000K / 4000K / 5700K
- LED Source : Philips Lumileds 3030 (LM80)
- Driver : MEANWELL / PHILIPS DRIVER
- IP Rating : IP 65
- Surge Protection : 10kA
- Beam Angle : 120°x 75°
- Lifespan : >50,000H
- Material : Die Cast Aluminium, Polycarbonate
- Dimension : 750*280*73
- Warranty : 5 Years

Luminous Intensity Distribution Curve



The Average Illuminance Effective Figure



Application Area

Amenity Lighting, Small road, Garden Road and Factory Area.

LUMILEDS



LUXEON 3030 2D

PHILIPS

Xitanium

LED Driver

