

Automate and secure your entrance in style



Semi Automatic Full Height Turnstile

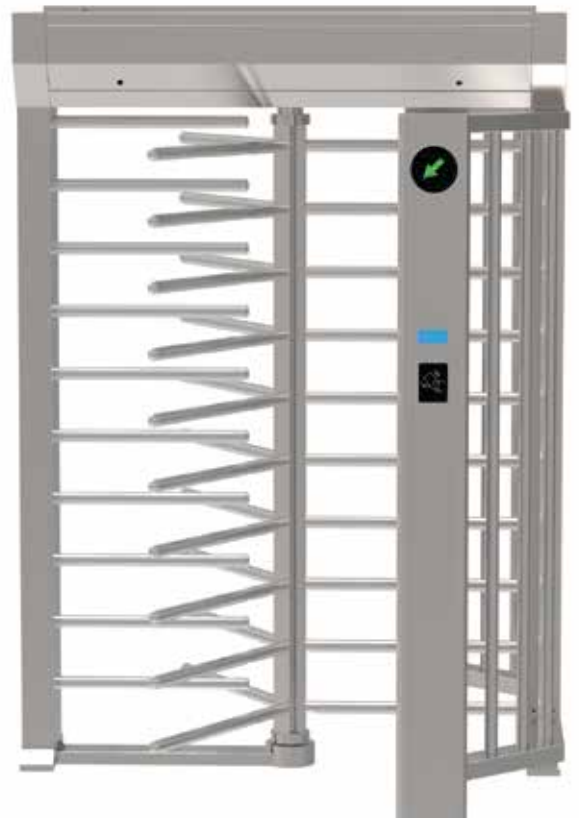
Model : TTS721 series

MAG TTS721 semi auto stainless steel full-height turnstile can achieve maximum access security control. Users are not able to crawl underneath or climb over to gain unauthorized access into premise. Full height turnstile can effective control single pass through each time.

Semi auto turnstile operation is based on solenoid lock that allows blocking rotation direction.

TTS721 is built with high quality material to withstand outdoor usage for years to come.

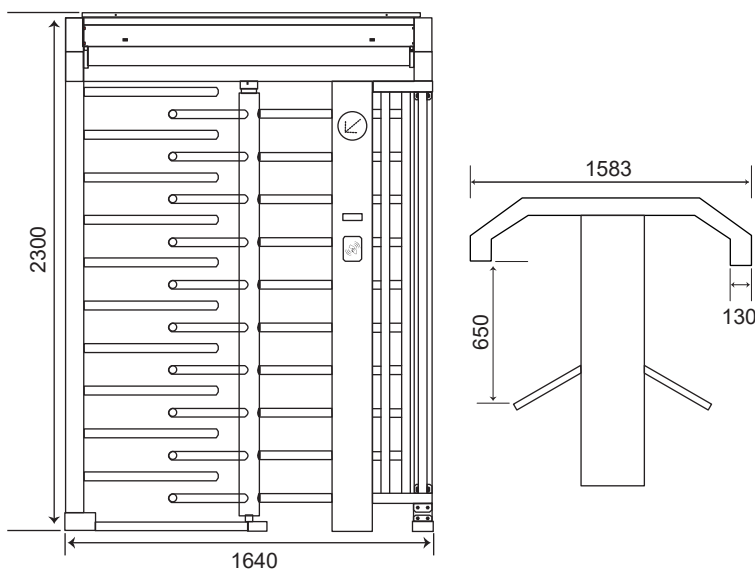
Premium
automation



TECHNICAL SPECIFICATION:

Description	Parameters
Power Supply Input	AC 220V 50HZ
Power Voltage	DC 24V /50W
Open Signal	Passive signals (relay signal, dry contact signals)
Passage Width	≤650mm
Response Time	≤0.2s
Optimal Pass Speed	25-30 person/min
Housing / Arm	304 Stainless Steel
Arm Rotation Angle	90 / 120 degree
Working Environment	Indoor and Outdoor
Working temperature	-20C~+70C
IP rating	IP 52
Operations time	≥5 million times

DIMENSION:



all measurements in mm unit

STRUCTURE PARAMETER

Description	Specification
Housing material	304 grade stainless steel
Housing dimension	1640 x 1583 x 2300
Surface treatment	Brushed finish
Arm material	304 grade stainless steel
Lane width	650mm (default)

Feature

1 MINIMUM MAINTENANCE

The housing is made of high quality stainless steel, and all the internal parts are with antirust and antiseptic treatment to achieve high level of durability.

2 EASY INTEGRATION

Easy integration with any third party access control or ticketing via dry contact interface. TTS721 will unlock and allow arm rotation upon receiving valid dry contact from electronic access system.

3 ANTI TAILGATING

Smart lock mechanism uses limit switch to detect rotation and effectively re-lock back after arm has been rotated more than half. Therefore current user can only finish the rotation to pass through or reverse the rotation to exit. Either way, it will not allow second person to pass through again.

4 SECURE WHEN POWER FAILURE

When power failure TTS721 will lock to prevent unauthorized person to enter to the premises.

5 STRONG LOCK

When the arm is locked, it will be able to sustain resistant force 70kg to restrain from unauthorized force open attempt.

Premium automation

“ Entrance is the first level of protection in building security. MAG offer complete gate automation system to secure your entrance.... ”

Authorized dealer

