



Model: AZIPSD541M-X30



DESCRIPTION:

AZSecu introduces a new generation of IP speed dome camera; the AZIPSD541M-X30. Incorporating with advanced Sony progressive scan CMOS, they provide extremely clear and details images for surveillance monitoring application. Unlike the conventional network cameras that incorporate progressive scan CMOS with primary colour filters, AZIPSD541M-X30 equipped with x30 optical zoom lens and Sony CMOS that can produces amazing high-resolution images even at very low light environment.

FEATURES:

- 1/3" Sony IMX335 progressive scan CMOS image sensor
- Supports image resolution up to 2592x1944 @20/30fps
- Smart Stream (Bandwidth, storage and bit rate are saved with Smart Stream on, eg, H.265+ saves 70%~80% bandwidth that of H.264)
- Smart IR II (Combining the High Beam and Low Beam to adjust IR intensity to fit different lighting conditions)
- Smart PTZ Motion Detection (Pan and tilt to the position of motion detected area automatically and zoom in synchronously)
- Video Content Analysis
- ONVIF Supported

Ordering Information

Model No	AZIPSD541M-X30
Dimension (LxHxW)	Φ205mmX308mm
Gross Weight	4Kg
Product Box Size (mm)	320 x 310 x 440
Carton Size; Qty/CTN	660*340*480 ; 2pcs/CTN

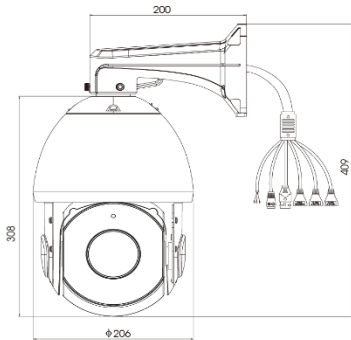
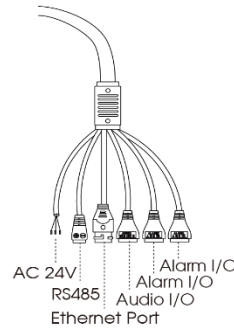
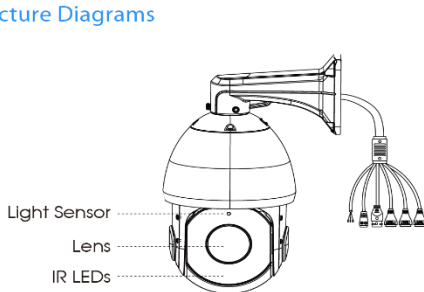
Precaution

- Don't install camera in with temperature above 60°C or under -40°C.
- Do not drop the camera and avoid physical shock.
- Its highly important to use the correct and suitable power supply or POE injector for the camera.
- Only Professional&qualified technician can install&test the camera

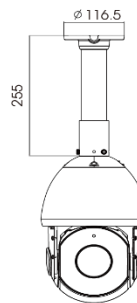
MODEL	AZIPSD541M-X30
CAMERA	
Image Sensor	1/2.8" Sony IMX335
Resolutions	5MP (2592 × 1944 @ 20/30fps)
Electronic Shutter Speed	1/100000s~1s
Signal To Noise Ratio	More than 52dB
Minimum Illumination	0.005Lux/F2.0 (Star Light - Color); 0Lux/F2.0 (IR ON)
IR LED Type	9pcs Array LED (Smart IR: High Beam: 2*9°+2*15°; Mid Beam: 2*30°; Low Beam: 3*60°)
IR Distance	250M
Focal Length	30x optical; 4.7~141mm @F1.5~F4.0
Digital Zoom	16x
Field of View	H58°~H3°/D71°~D3°/V44°~V2°
Min Working Distance	100~1500mm (Wide-Tele)
ICR	ICR Filter Auto Switch
WDR	120dB DOL-HDR
Protocol	IPv4/IPv6, TCP, UDP, RTP, RTSP, RTCP, HTTP, HTTPS, DNS, DDNS, DHCP, FTP, NTP, SMTP, SNMP, UPnP, SIP, PPPoE, VLAN, 802.1x, QoS, IGMP, ICMP, SSL
Character Display	Supported (Channel name, Date, Multiple lines OSD)
Video Compression	H.265+/H.265(HEVC)/H.264+/H.264/MJPEG
Encoding	Primary Stream: 30fps@(2592x1944, 1920x1080, 1280x960, 1280x720, 704x576) Secondary Stream: 30fps@(704x576, 640x480, 640x360, 352x288, 320x240, 320x192, 320x176) Tertiary Stream: 30fps@(1920x1080, 1280x720, 704x576, 640x480, 640x360, 320x240, 320x192, 320x176)
Video Bit Rate	16Kbps~16Mbps(CBR/VBR Adjustable)
Audio Compression	G.711/AAC
RS485	Support
Alarm	2 In 2 out
Audio	1 In 1 out
Storage	Support microSD/SDHC/SDXC Card Local Storage, up to 256G
Network Interface	1* RJ45 10M/100M Ethernet Port
Advanced Function	Auto Tracking, Privacy Masking, Backlight Compensation, HLC, 2D DNR, 3D DNR, ROI, Anti-fog, White Balance, EIS, IP Address Filtering
SIP/VoIP Support	Yes, Voice & Video-over-IP
Event Trigger	Motion Detection, Network Disconnection, External Input, Audio Alarm, etc.
Event Action	FTP Upload, SMTP Upload, SD Card Record, External Output, SIP Phone, PTZ Motion, HTTP Notification, etc.
Video Analysis	Region Entrance, Region Exiting, Advanced Motion Detection, Tamper Detection, Line Crossing, Loitering, Human Detection, People Counting, Object Left, Object Removed
System Compatibility	ONVIF Profile S & G
DRIVE	
Rotation Range	Pan: 0°~360° ; Tilt: 0°~90° (Auto Flip)
Rotation Speed	Pan Manual Speed: 0.5°~180°/s, Pan Preset Speed: 240°/s; Tilt: Tilt Manual Speed: 0.5°~120°/s, Tilt Preset Speed: 200°/s

Proportional Zoom	Support
Preset Quantity	255
Preset Freezing	Support
Patrol	8 Patrols, up to 48 presets each patrol
Pattern	4 Patterns
Power Off Memory	Support
3D positioning	Support
GENERAL	
Working Condition	Temperature: -40°C~60°C / Humidity: 0~95%(Non-condensing)
Power Supply	PoE (802.3at) / AC 24V/3A ± 10%
Power Consumption	13.5W MAX / 25.5W MAX (With IR on)
Weather Proof/Housing	IP66-rated / IK10-rated Metal Housing
Surge Protection	6KV
Dimensions/Weight	Φ205mmX308mm/4Kg

Structure Diagrams



Wall Mount



Ceiling Mount

Accessories Support

A41 Wall Mount
 Weight: 400g
 Dimensions: 200*129*100mm



A42 Pendant Mount
 Weight: 650g
 Dimensions: 116.5*225mm



A43 Junction Box
 Weight: 380g
 Dimensions: 165*120*47.5mm

