



Model: AZIP564M-MIR



DESCRIPTION:

AZSecu introduces a new generation of network IP bullet camera; the AZIP564M-MIR. Incorporating with advanced Sony IMX335 progressive scan CMOS, they provide extremely clear and details images for surveillance monitoring application. The Sony IMX335LLN featuring an electronic shutter with variable charge-integration time. High sensitivity, low dark current and no smear are achieved. On top of that, AZIP564M-MIR also featuring Starvis, a Sony technology that used back-illuminated pixel method and realizes high picture quality in the visible-light and near infrared light regions. In generally, this is called Starlight Camera.

FEATURES:

- 1/ 2.8" Sony IMX335 progressive scan CMOS image sensor with Starvis Technology
- Supports image resolution up to 2592 x 1944P @20/30fps
- Smart Stream (Bandwidth, storage and bit rate are saved with Smart Stream On, eg, H.265+ saves 70%~80% bandwidth that of H.264)
- Smart IR II (Combining the High Beam and Low Beam to adjust IR intensity to fit different lighting conditions.)
- Micro SD Card slot (max 256G supported)
- Video Content Analysis
- Advanced Functions (Boasting to support various advanced functions such as HLC, Defog, ROI)
- ONVIF supported
- Motorized zoom lens 2.8–12mm, auto focus

Ordering Information

Model No	AZIP564M-MIR
Dimension (LxHxW)	Φ76mmX239.5mm
Weight	825g
Product Box Size (mm)	283 x 115 x 93mm
Carton Size; Qty/CTN	578*330*360mm; 12pcs/ctn

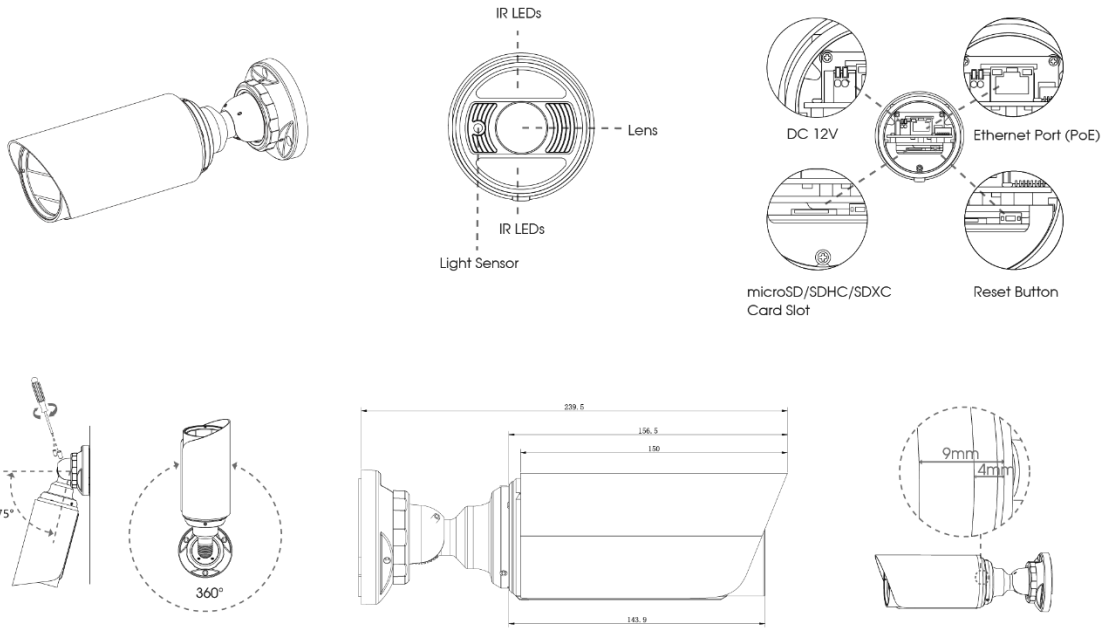
Precaution

- Don't install camera in with temperature above 50°C or under -10°C.
- Do not face the camera to a strong light
- Do not drop the camera and avoid physical shock.
- Its highly important to use the correct and suitable power supply (DC12V) or POE injector for the camera.
- Only Professional&qualified technician can install&test the camera

MODEL	AZIP564M-MIR
CAMERA	
Image Sensor	1/2.8" Sony IMX335 CMOS
Effective Pixels	2616(H) × 1964(V), 5MP
Resolutions	5MP (2592 × 1944 @20/30fps)
Electronic Shutter Speed	1/100000s~1s
Signal To Noise Ratio	More than 50dB
Minimum Illumination	0.005Lux / F1.2 (Starlight); 0Lux / F1.2 (IR ON)
Lens	Motorized Lens 2.8 – 12mm, auto focus
Field of View	H84°~H30° / D105°~D37° / V62°~V22°
IR LED Type	4pcs x Array LED (High Beam: 2*30°; Low Beam: 2*60°)
IR Distance	50M
WDR	120dB
VIDEO	
Video Compression	H.265+/H.265(HEVC)/H.264+/H.264/MJPEG
Video Bit Rate	16Kbps~16Mbps(CBR/VBR Adjustable)
Primary Stream	20fps@(2592x1944), 30fps@(1920x1080, 1280x960, 1280x720, 704x576)
Secondary Stream	30fps@(704x576, 640x480, 640x360, 352x288, 320x240, 320x192, 320x176)
Tertiary Stream	30fps@(1920x1080, 1280x720, 704x576, 640x480, 640x360, 320x240, 320x192, 320x176)
Encoding Type	Constant bit rate, Variable bit rate optional
NETWORK	
Ethernet	1*RJ45 10M/100M Ethernet Port
Network Storage	NAS(Support NFS, SMB/CIFS)
Protocol	IPv4/IPv6, TCP, UDP, RTP, RTSP, RTCP, HTTP, HTTPS, DNS, DDNS, DHCP, FTP, NTP, SMTP, SNMP, UPnP, SIP, PPPoE, VLAN, 802.1x, QoS, IGMP, ICMP, SSL
Storage	Support microSD/SDHC/SDXC Card Local Storage, up to 256G
Advanced Function	Privacy Masking, Backlight Compensation, HLC, 2D DNR, 3D DNR, ROI, Anti-fog, White Balance, EIS, IP Address Filtering
SIP/VoIP Support	Yes, Voice & Video-over-IP
Event Trigger	Motion Detection, Network Disconnection, etc.
Event Action	FTP Upload, SMTP Upload, SD Card Record, SIP Phone, HTTP Notification, etc.
Video Analysis	Region Entrance, Region Exiting, Advanced Motion Detection, Tamper Detection, Line Crossing, Loitering, Human Detection, People Counting, Object Left, Object Removed
System Compatibility	ONVIF Profile S & G
Max User Access Simultaneously	9 connections by default, can set to No Limit on the web of camera
Audio I/O	/
Alarm I/O	/
GENERAL	
Power Source	PoE (802.3af)/ DC 12V±10%
Power Consumption	8.5W MAX; 12W MAX (With IR on)
Net Weight	825g
Dimension (L x W x H) mm	Ø76mmX239.5mm
IP Rating	Up to IP67-rated for Weather-resistant Performance
Body Material / Vandalproof Rating	Vandal-proof IK10-rated Metal Housing
Operating Temperature	-40°C ~ +60°C / > 95% RH
Working Humidity	0~95%(Non-condensing)

Specifications subject to change without notice. © 2019.All rights reserved.

Structure Diagrams



Units: mm

Accessories Support

A01 Pole Mount

Weight: 720g
Dimensions: 170*51.5*152.6mm



A02 Internal Corner Bracket

Weight: 540g
Dimensions: 170*23.2*205.3mm



A03 External Corner Bracket

Weight: 900g
Dimensions: 170*152.6*76.3mm



A63 Junction Box

Weight: 620g
Dimensions: 134*127*40mm

