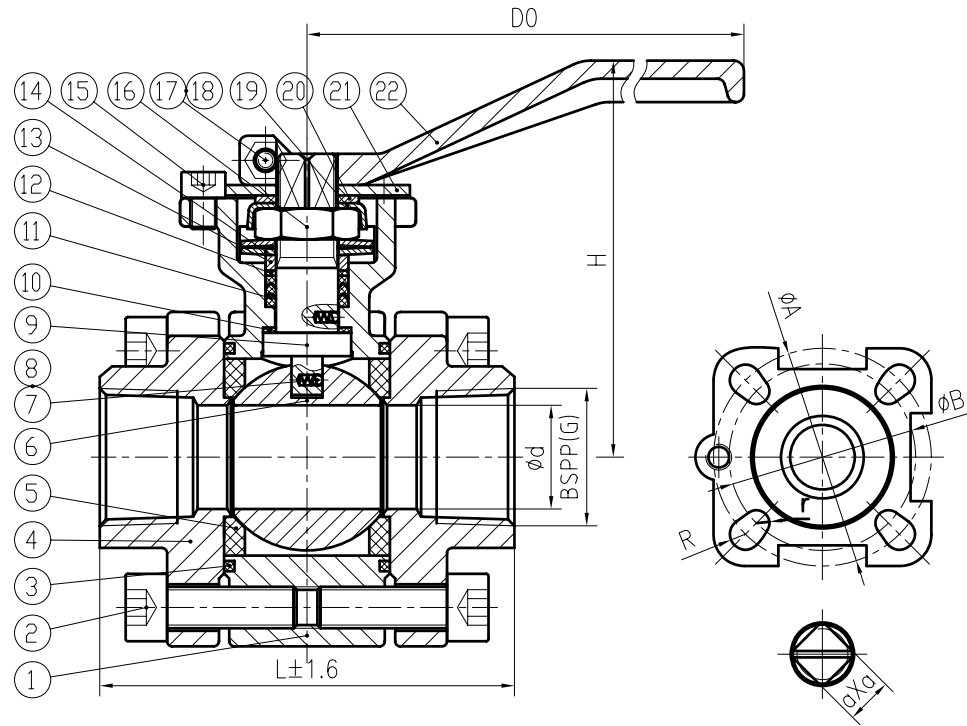


AT326



SPECIFICATIONS	
Nominal pressure	2000 PSI
Shell test pressure	20.7
Seal test pressure	15.2
Seat test pressure	0.6
Applicable temperature	-29~180°C
Applicable media	Water, Oil, Gas

- NOTE:
- 1.Design and Manufacture for valve according to ASME B16.34.
 - 2.Inspection and Test for valve according to API 598.
 - 3.The thread ends conform to ASME B1.20.1 & ISO 7/1.
 - 4.Face-to-face dimensions for valve according to DIN 3202-M3.

Nominal diameter	d	BSPP (G)	L	H	D ₀	A	B	R	r	αXα
DN8	1/4"	8	1/4"	65	68.5	140	42	36	3	9X9
DN10	3/8"	10	3/8"	65	68.5	140	42	36	3	9X9
DN15	1/2"	14	1/2"	75	68.5	140	42	36	3	9X9
DN20	3/4"	20	3/4"	80	76.5	140	42	36	3	9X9
DN25	1"	25	1"	90	86.5	165	50	42	3.5	11X11
DN32	1 1/4"	32	1 1/4"	110	90.5	165	50	42	3.5	11X11
DN40	1 1/2"	40	1 1/2"	120	101.5	210	70	50	4.5	14X14
DN50	2"	50	2"	140	109	210	70	50	4.5	14X14

22	3PC Q11F-2000-16	HANDLE	1	SS304	
21	3PC Q11F-2000-15	STOPPER	1	SS304	
20	3PC Q11F-2000-13	WASHER 2	1	SS304	
19	3PC Q11F-2000-12	LOCATOR	1	SS304	
18	GB/T6170-2000	NUT	1	A194-8	
17	GB/T70.1-2000	HEX SOCKET BOLT	1	A193-B8	
16	ANSI B18.2.2	NUT	1	A194-8	
15	GB/T70.1-2000	HEX SOCKET BOLT	1	A193-B8	
14	3PC Q11F-2000-11	BELLEVILL SPRING	2	SS304	
13	3PC Q11F-2000-10	WASHER 1	1	SS304	
12	3PC Q11F-2000-09	GRAPHITE PACKING	1	FLEXIBLE GRAPHITE	
11	3PC Q11F-2000-08	PACKING	-	RPTFE	
10	3PC Q11F-2000-07	STEM WASHER	1	RPTFE	
9	3PC Q11F-2000-06	STEM	1	SS316	
8		STEEL BALL	2	SS316	
7		SPRING	2	SS316	
6	3PC Q11F-2000-05	BALL	1	SS316	
5	3PC Q11F-2000-04	SEAT	2	RPTFE	
4	3PC FQ11F-2000-03	BONNET	2	A216 WCB	
3	3PC Q11F-2000-02	GASKET	2	RPTFE	
2	GB/T70.1-2000	HEX SOCKET BOLT	-	A193-B8	
1	3PC Q11F-2000-01	BODY	1	A216 WCB	
NO.	DRAWING NO.	DESCRIPTION	Q'TY	MATERIAL	REMARKS

				GENERAL DRAWING		AUTOMA	
						2000PSI BALL VALVE	
						FIRE SAFE	
MARK	BEFORE MODIFIED	AFTER MODIFIED	DATE				
DRA.		APP.		SCALE			
CHK.		DATE					
				AT326			