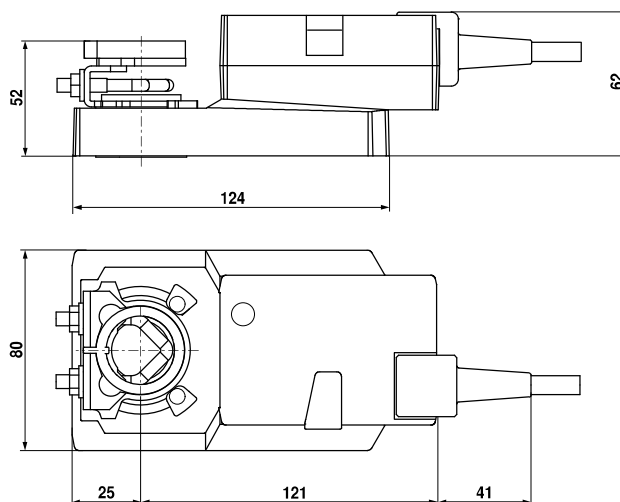


Damper actuator for adjusting air dampers in ventilation and air-conditioning systems for building services installations

- Torque 8Nm
- Nominal voltage AC 100...240V
- Control: Open-close or 3-point
- Running time 20s


Technical data

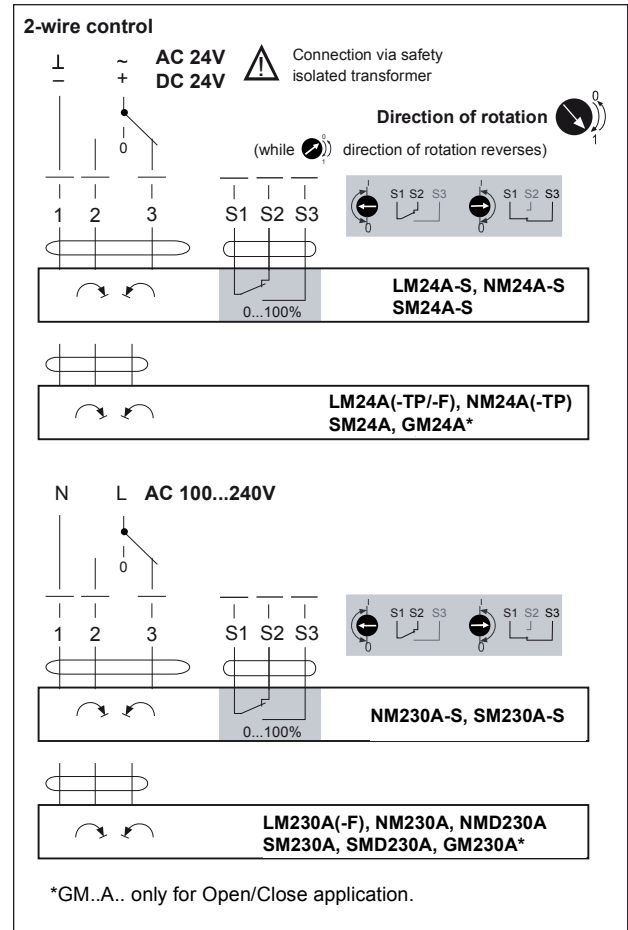
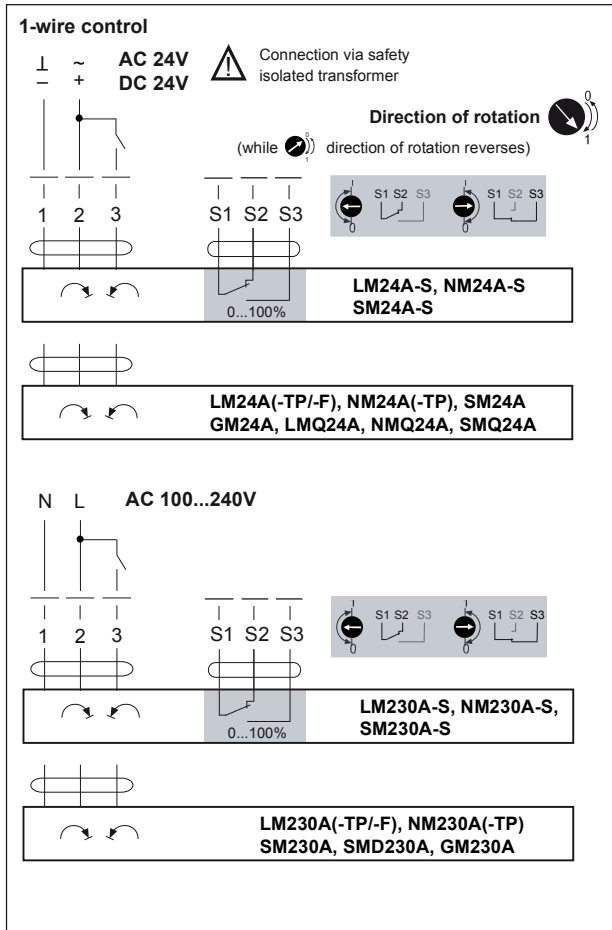
Electrical data	Nominal voltage	AC 100...240V, 50/60Hz
	Nominal voltage range	AC 85...265V
	Power consumption	In operation 3W @ nominal torque At rest 1W For wire sizing 5.5VA
	Connection	Cable 1m, 3 x 0.75mm ²
Functional data	Torque (nominal torque)	Min. 8Nm @ nominal voltage
	Direction of rotation	Reversible with switch 0 ↺ or 1 ↻
	Manual override	Gearing latch disengaged with pushbutton, detentable
	Angle of rotation	Max. 95°↔, can be limited at both ends with adjustable mechanical end stops
	Running time	20s / 90°↔
	Sound power level	Max. 55dB(A)
	Position indication	Mechanical, pluggable
Safety	Protection class	II Totally insulated <input type="checkbox"/>
	Degree of protection	IP54
	EMC	NEMA 2, UL Enclosure Type 2
	Low voltage directive	CE according to 2004/108/EC
	Certification	CE according to 2006/95/EC
		Certified to IEC/EN 60730-1 and IEC/EN 60730-2-14 cULus according to UL 60730-1A and UL 60730-2-14 and CAN/CSA E60730-1:02
	Mode of operation	Type 1
	Rated impulse voltage	4kV
	Control pollution degree	3
	Ambient temperature range	-30...+50°C
Non-operating temperature	-40...+80°C	
Ambient humidity range	95% r.h., non-condensating	
Maintenance	Maintenance-free	
Dimensions / Weight	Dimensions	See «Dimensions»
	Weight	Approx. 0.85kg

Dimensions [mm]
Dimensional drawings


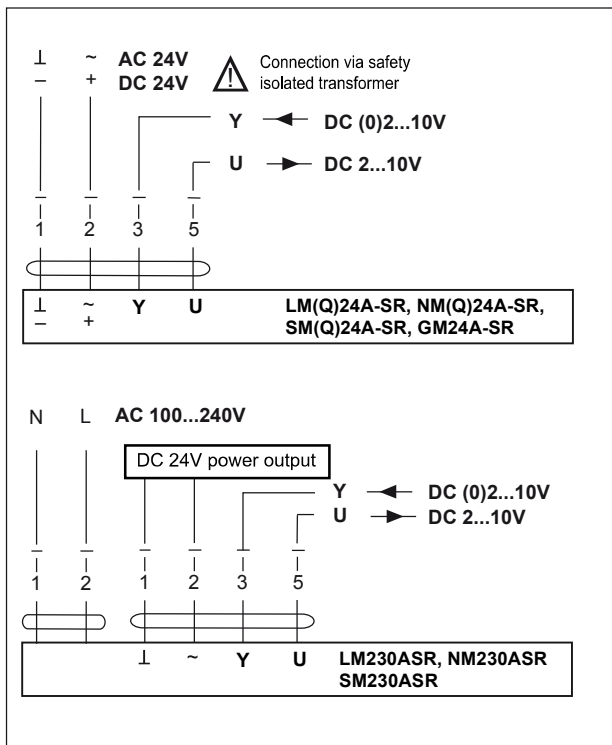
Damper spindle	Length	⊙ I	⊞ I	⊠ I
	≥40	8...26.7 ¹⁾	≥8	≤26.7
	≥20	8...20 ¹⁾	≥8	≤20

1) CrNi (INOX) 12...20

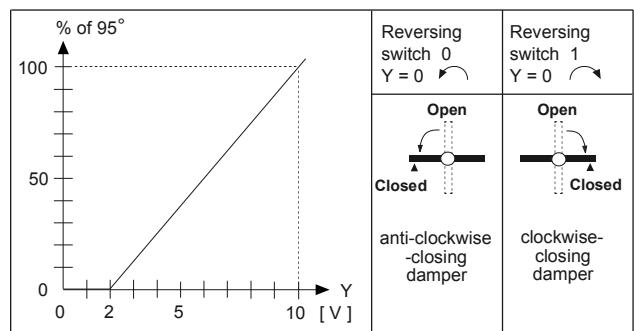
Wiring diagrams: Open/Close actuators – parallel connection possible, please note the performance data



Wiring diagrams: Modulating actuators – parallel connection possible, please note the performance data



Position - signal voltage



Direction of rotation