



# KCE Series

*CEILING MOUNT TYPE*

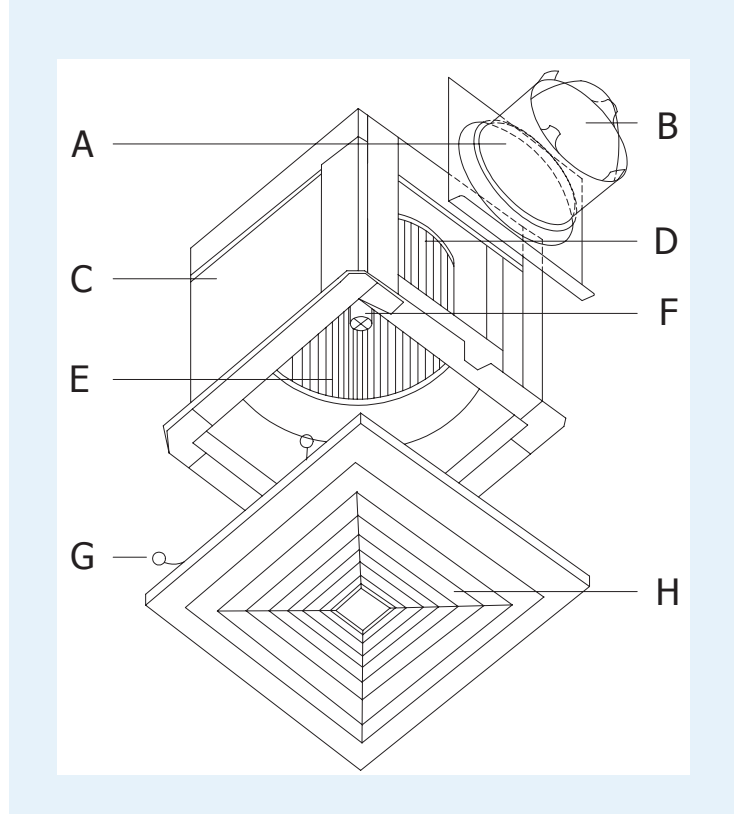


# CEILING MOUNT TYPE – KCE SERIES



## Features

- A. Round spigot opening for easy connection to flexible hose.
- B. Non return flap to prevent back-flow.
- C. Body made of high impact ABS plastic.
- D. Balanced turbine with new wide angle, curved blade for quiet operation and high air volume.
- E. High static pressure design for ducted air handling.
- F. Capacitor operated motor with thermal switch.
- G. Spring Clip on front cover easily removable for cleaning.
- H. Modern discreet designed cover in white.



### KCE 100X/120X/160X/250X

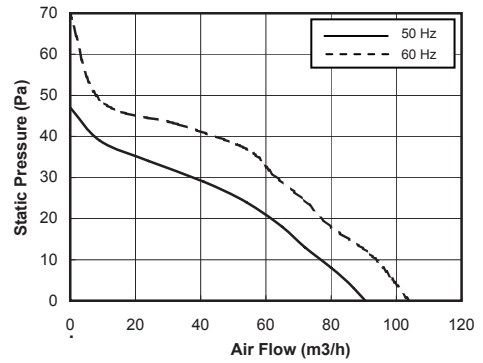
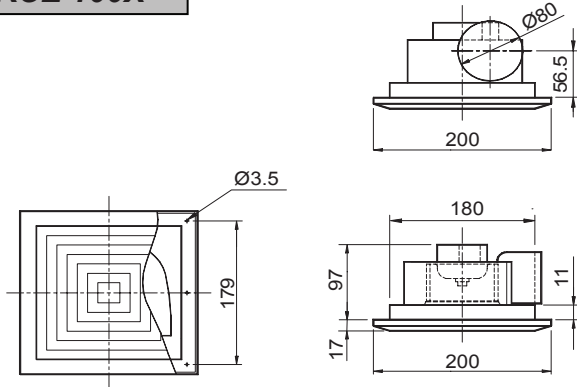


## Technical Data

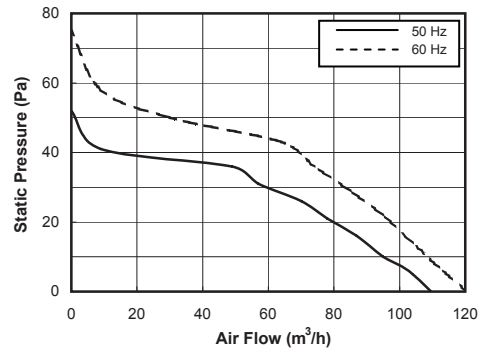
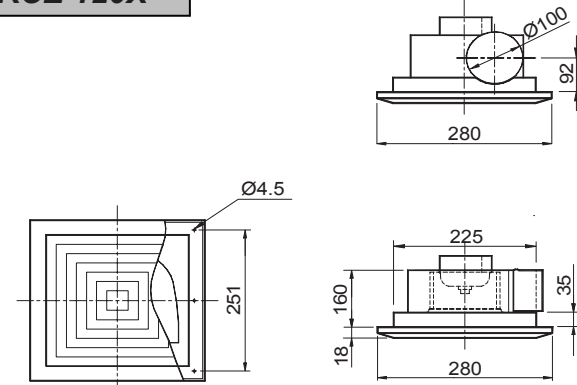
Model	Max. Flow m <sup>3</sup> /h	Max. Press. Pa	N° Poles	Power W	Hz	Max Amp	Class Insulation	dB (A) at 3m	RPM	Weight kg
KCE 100X	90/104	48/70	4	30/30	50/60	0.10/0.10	E	38/38	1105/1283	1.1
KCE 120X	110/120	54/78	4	30/30	50/60	0.09/0.09	E	40/40	1289/1245	1.5
KCE 160X	150/137	108/122	4	35/35	50/60	0.09/0.09	E	40/40	1250/1500	1.5
KCE 250X	250/230	152/186	4	60/60	50/60	0.16/0.18	E	44/45	1250/1500	2.6

Performance

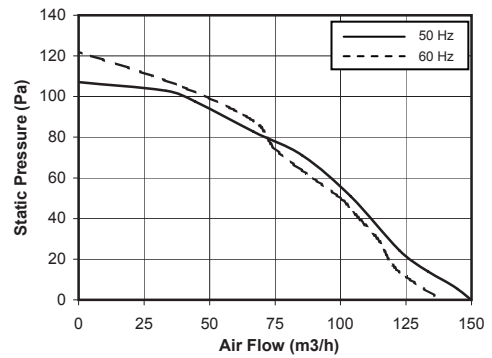
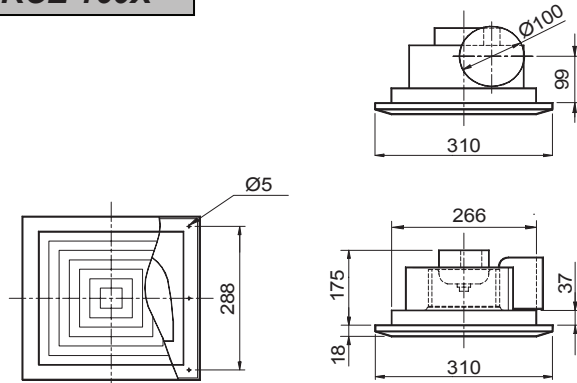
**KCE 100X**



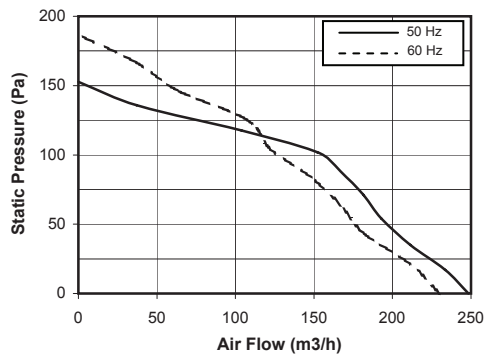
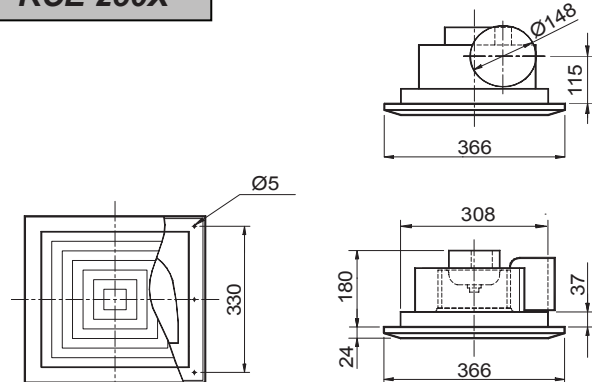
**KCE 120X**



**KCE 160X**

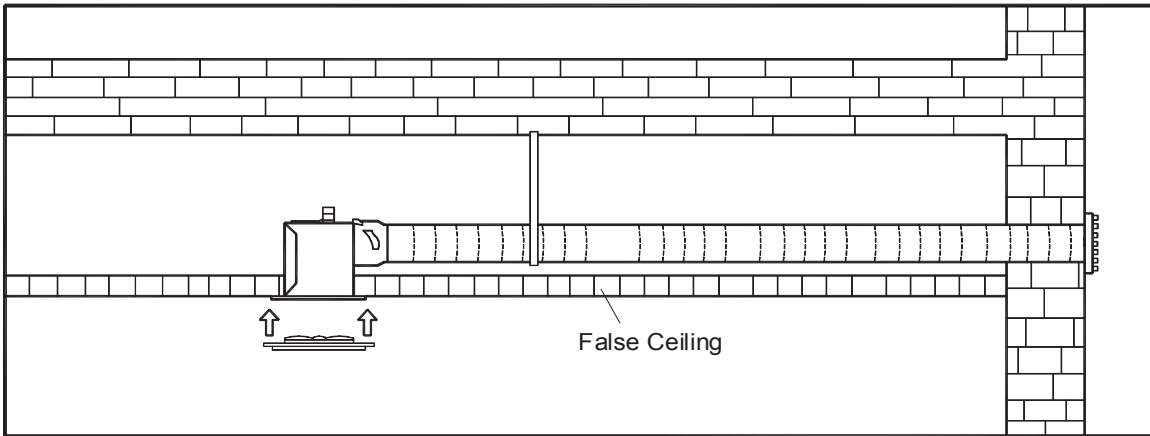


**KCE 250X**

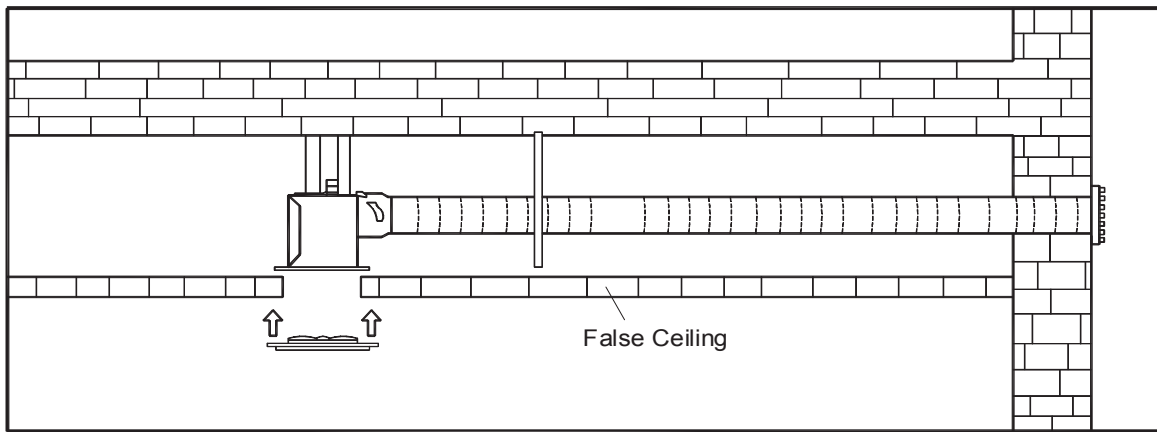


**Installation Guide**

**Option 1**



**Option 2**



The company is always improving and developing its products, therefore the company reserves the right of making changes to the illustrated products. Certified dimension can be provided upon request.