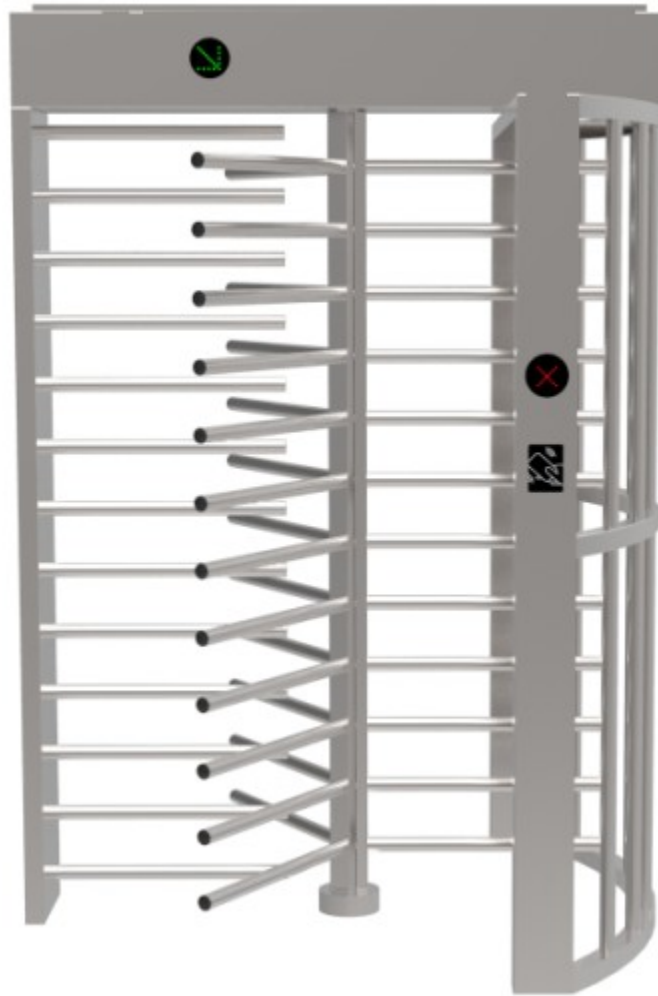


# MSS-FH221A SINGLE PASSAGE FULL HEIGHT TURNSTILE



**LED direction guide    Anti-forced intrusion**

**Abandon violated entrance    Anti-crawling/climbing**

**Indoor (recommended) & Outdoor application    Alternative material & motor**

**Adjustable working mode and opening time    Emergency & power outage free access**

# PRODUCT SPECIFICATION

Marc Corporation Pte Ltd, located in 48 Toh Guan Road East, Enterprise Hub, #05-154, Singapore 608586 is the manufacturer for all types of turnstiles, namely Half-height, Full-height, Flap Barrier, Swing Gate, Slide Gate, Tripod Turnstile, Speed Gate, Hydraulic Bollard and Road Blocker under MSS® brand name.

Our products are combination of high quality material, durable motor, ergonomic design and modern looking. They are able to control the assessment of public and manage the level of authority while still enhance the elegancy and presentation of any buildings, public locations or individual assets.

Customization on alternative material, finishes, design, size and system integration are accessible with the help of our experienced engineering and s technical team.

## Description

MSS-FH221A is single passage full-height turnstile to regulate the flow of people coming into and out of premises without stopping flow of air circulation or fully obstacle the view. Its full-height, solid and rigid design is suitable for high-risk and restricted and high-capacity people area such as prison, bank, storage, and stadium.

Crawling or climbing is not possible since each single passage full-height turnstile contains three arms at 120 degree spacing to each other; each arm consists of 10 rods spaced equally to form a total of 2 meter plus in height with space between each rod only around 20cm. Variation of four arms at 90 degree spacing is available for special application and preference.

Locked position was pre-set when power on. Under semi-auto mode of operation, arms are manually pushed to pass upon validation takes place. In case of emergency, center rotor will

## Operation

MSS-FH221A is held in locked position when electrical power on to control the access of public to secured area. When system is validated by user access card or recognition or active payment, rotor locked is open to allow manually push arm to enter in one-by-one traffic manner.

The rotor was be set at free (by default) in case event of emergency, fire and accidents

be set free automatically for escape.

The turnstile has standard electrical interface to integrate with common access control system equipments and 3rd party facilities such as Card reader, Bar-code Scanner, Finger-print & Facial recognition, Iris recognition, Card collector, Token reader for the purpose of authority management and toll collection.

The gate was designed smooth and silent operation, convenient and safety to use. Standard body material is made of SS304 stainless steel for rigid, long-lasting and weather durable. Upgrade option of SS316 stainless steel are suitable for marine and harsh environment.

Servo motor or brushless motor for longer lifetime and multiple entries and exits per day (>1000 times) and no noise are available upon request.

for unencumbered exit for safety of public

Products can be set as controlled or free access in one direction or both directions. LED is located on both side of turnstile to indicate the direction and status of access by arrow and its color. In which direction of arrow shows the direction of traffic while 'green' color means authorized and 'red' color means unauthorized

## Standard functions

- Single passage full-height turnstile, SS304, Semi-auto.
- Automatically reset function
- Ability to set up running status of device through pressing small built-in keyboard of main control board
- Ability to choose different operating model (bi-directional, single-directional)
- Anti-reverse intrusion – to avoid one trying to pass in opposite direction of allowed direction
- Ability to lock at closed position to prevent force intrusion
- Anti-back up function to prevent reverse rotation once the arm turned 60 degree from original position
- Time out closing feature to close entrance after a period of time without no access after an authorization (by default = 10s)
- Emergency/power outage escape, automatically drop arms to open freely in case of emergency/power outage
- Standard fire alarm input interface (N.C normally close contact)
- Multiple reader integration: Card reader, bar code scanner, finger-print detection and facial recognition at one tripod
- Selectable operation mode: Free access (automatically open whenever detecting passenger by infrared beam), Controlled mode (only open for valid access authorization) in one or both direction.
- LED indication of direction and authorization status
- Available normally open and normally close mode
- Smooth operation with low noise and low mechanical impact
- Ergonomic and user friendly design
- No crew exposed for safety use of public
- Interface with peripheral computer for programming

## Optional features

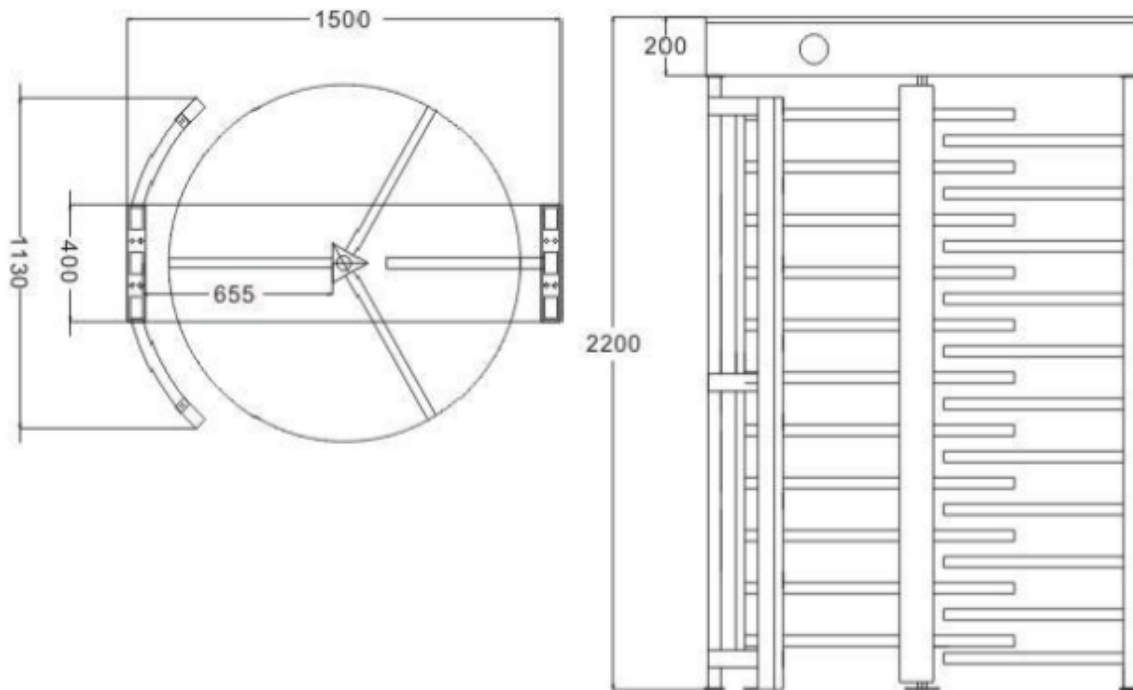
- Passenger counter display
- Audio and visual alarm
- Remote-control button
- Access control integration
- All-in-one card: Card access controller, Elevator controller, Turnstiles controller, Parking controller.

# TECHNICAL SPECIFICATIONS

## Specifications

Operation voltage	AC220V±10%, 50Hz±10%
Main-board voltage	12V DC
Control board in head of unit	
Time of opening / closing	0.2 seconds
Time to work after power on	3 seconds
Reset time after breaking down	10 seconds
MTBF	5,000,000
Operation temperature	-10°C ~ +70°C
Relative humidity	≤90% non-condensing
Working Environment	Indoor/Outdoor (with rain-tent cover)
Input port	Relay dry contact signal; +12V level signal and Pulse width >100ms, DC12V pulse signal
Transit speed	30 persons/minute
Communications port	RS232/ RS485 electric standard, communications range: ≤1200m. Available to connect with external CAN BUS and Ethernet

## Dimensions: 1130 x 1500 x 2200 mm



MSS® logo is a registered trademark of Marc Corporation Pte Ltd and its respective owners. All company, product and service names used in this website are for identification purposes only. Use of these names, logos, and brands does not imply endorsement. All specifications are subject to change without notice. All rights reserved.