

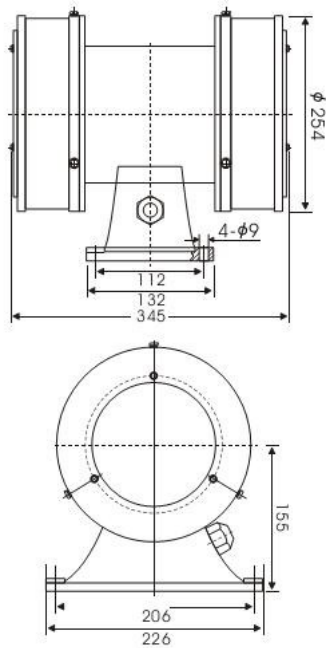
	<p><u>Large Electromechanical siren</u> MS-790</p> <p>PERFORMANCE PARAMETER: Sound Rating: 130±2dB(A) @1M Electric Motor: 0.75Kw, 110V/220V/230V, AC, 50/60Hz IP Rating: IP44 Output Frequency: 530/580±20Hz Single Tone Net Weight: 14Kg Carton Size: 26.5x28x36CM</p>
---	--

DESCRIPTION:

MS-790 is an omnidirectional siren for vertical mounting. Powered by a single phase or three phase motor. It is designed to be used in:

- Civil defense warning systems of major cities all over the world
 - Fire warning systems of community, main factories, mines, buildings, etc.
 - Warning for accidents of reservoirs, dams, jails, airports, army, etc.
- *Please specify the voltage when placing orders with us.

DIMENSION:



(mm)