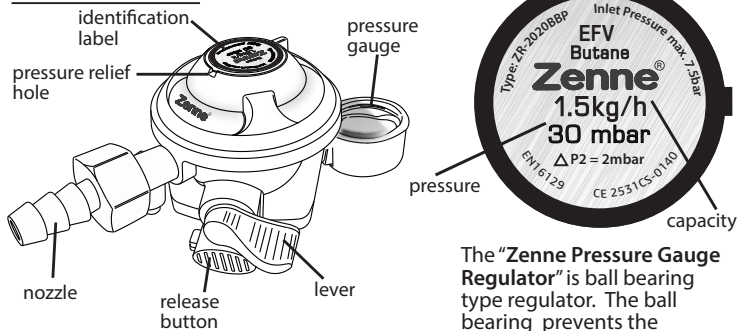


Operating Instruction Manual

Zenne[®] ZR2020BBP Zenne Pressure Gauge Regulator

- Thank you for buying **Zenne** product.
- Read this instruction manual and warranty card carefully before operating the regulator. Please keep this manual for future reference.
- To ensure the safety and correct use of the regulator, read the instructions carefully and follow the installation guide.
- The manufacturer will not be responsible for any damages to the regulator due to incorrect installation even though within the warranty period.

Part Identification



The "Zenne Pressure Gauge Regulator" is ball bearing type regulator. The ball bearing prevents the occurrence of high gas pressure in the unit.

However, it is possible that the ball bearing may get stuck by the perfume oil emitted from within the gas tank.

To loosen the bearings, simply press the ball bearing reset button on the bottom part of the nozzle to loosen up the ball bearings inside (See Fig.1).

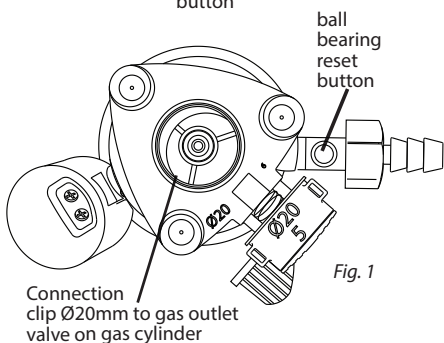


Fig. 1

Do's ✓ and Don'ts ✗

- ✓ Always install the regulator in Gas OFF position only.
- ✓ In normal conditions of use, in order to ensure a safe operation of installation.
- ✓ For outdoor use, the device should be positioned or protected against direct penetration of trickling of water.
- ✓ Before installation, make sure that rubber gasket in cylinder valve or regulator is in good condition.
- ✓ Make sure that all taps and appliances are turned off.
- ✓ Use LPG cylinders in an upright vertical position only.
- ✓ Only use correct and proper tools for installation, after hand tightening the nut.
- ✗ Do **NOT** ever try to remove the regulator in Gas switched ON position.
- ✗ Do **NOT** move the cylinder during operation.
- ✗ Do **NOT** replace the LPG cylinders in the presence of candle lights or flames.

Steps For Installation

1. Fit a certified gas hose (MS2086/BS3212) to the outlet nozzle (lubricate the latter with water to facilitate the insertion) Insert firmly and clamp it using the hose clip (See Fig.2).
2. In total absence of any flame, remove the seal cap from the cylinder valve.
3. To assemble the regulator, remove the seal cap from the cylinder valve. Make sure that the lever is set at **OFF** position (See Fig.3).

Do not block this pressure relief hole while turning on the lever. Otherwise, high gas pressure could occur and this may damage the gas appliance. It may also cause extreme flame to happen and thus endangers the user and kitchen area.



Fig. 2

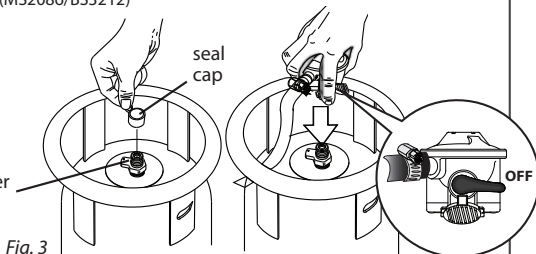


Fig. 3

4. Turn the lever to **ON** position after ensuring that the regulator is connected firmly onto the cylinder valve (See Fig. 4).

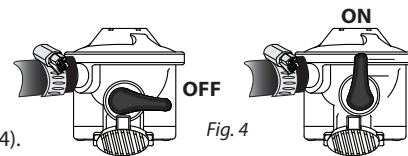


Fig. 4

5. To replace the cylinder, turn the lever to **OFF** position, dismount it by pressing the release button and pull off the regulator vertically (See Fig. 5).

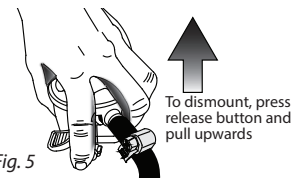


Fig. 5

To dismount, press release button and pull upwards

Low Level Indicator

Actual level only to be observed at gas consumption from the gas cylinder to gas appliance (See Fig. 6).

- Cylinder empty, no more liquid Gas. Do not use before cylinder is refilled. Pressure less than 0.3 bar.
- Early warning - Plan refill soonest. Liquid level estimate refill 0.3 and 0.8kg - 1 to 2 hour use. Pressure between 0.3 and 0.7 bar.
- Sufficient level of gas inside cylinder. Ready to go on. Estimated level of gas min. 1kg - 5 hours use. Pressure between 0.7 and 7.5bar

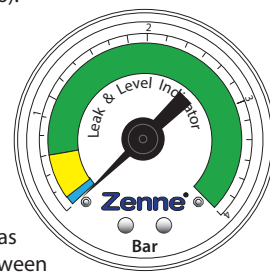


Fig. 6

Leak Test

- The regulator is connected to the gas appliance with the gas hose. Gas appliance valves shall be in closed position.
- The regulator is attached to the gas cylinder valve.
- The on/off handle on the gas cylinder valve is turned into open position.
- After filling up the regulator and hose with gas, close the regulator's valve again. The gas is now trapped between gas regulator and gas appliance.
- The manometer dial goes into the green area of the scale.
- Wait for 2 minutes. If the dial is still in the green area of the scale without moving the installation is free of any leakage.
- In case the dial is moving into the yellow or blue area, the installation may have some leakages.
- Go through the installation with leak spray or soap solution to identify the leak.

IMPORTANT:

- Gas appliance should not be used until all leaks have been eliminated.

Function Of The Excess Flow Valve

- The regulator is equipped with a manual excess flow valve. The excess flow valve is activated during the use of the gas appliance.
- If the gas appliance consumes more gas than 110% of the regulator's rated capacity.
- If the gas hose is disconnected suddenly.
- If the gas hose disconnects or ruptures, the excess flow valve will automatically cut off gas flow. However, there is still a minimal gas flow, but will not cause any fire.

Technical Data

Gas Type	Butane
Inlet Pressure (bar)	0.3 ~ 7.5
Nominal Outlet Pressure (mbar)	28 ~ 30
Δ P2 (mbar)	2
Working temperature	0° ~ 50°C
Capacity	1.5kg/h
Inlet connection	G52 - 20mm
Outlet connection	H50, H51, H53
Excess flow	Yes
Regulator (Diameter)	63mm
Leak & level indicator	Yes

IMPORTANT

This Pressure Gauge Regulator is **NEVER** to be left assembled on the gas cylinder without having any connection to the gas appliance. The tear-off proof safety is not designed to ensure the operation of the gas cylinder valve.

Zenne Infinity Sdn. Bhd. (560198-X)
Lot 1863, Jalan Kolej, 43300 Seri Kembangan,
Selangor Darul Ehsan, Malaysia.
Tel: 03-8948 9088 Fax: 03-8948 9033
E-mail: zenne@zenne.com.my Website: www.zenne.com.my