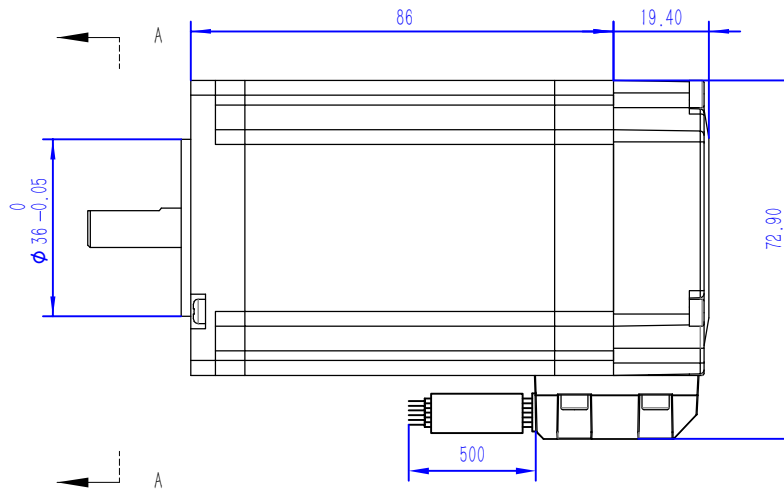
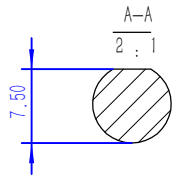
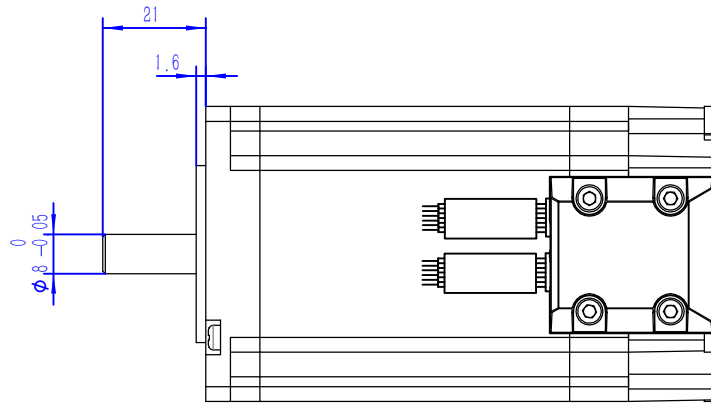
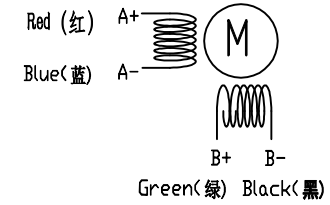


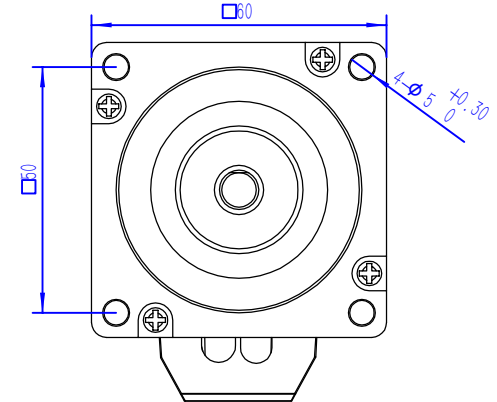
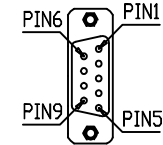
SCAL 1:2



MOTOR CONNECTIONS



Encoder pin definitions



SPECIFICATION		PIN NO#	DESCRIPTION	COLOR(颜色)	DESCRIPTION	COMMON RATINGS					
CURRENT/PHASE : A	5	PIN1	GND	BLACK(黑色)	POWER 0V DC	STEP ANGLE	1.8°				
DC RESISTANCE : $\Omega \pm 10\%$	0.45	PIN2	VCC	RED(红色)	POWER 5V DC	POSITION ACCURACY	1.8° $\pm 0.09^\circ$				
INDUCTANCE/PHASE : mH $\pm 20\%$	1.8	PIN3	PA+	YELLOW(黄)	ENCODER A PLUS	NUMBER OF PHASE	2				
HOLDING TORQUE : N.M	3.0	PIN4	PA-	GREEN(绿)	ENCODER A MINUS	TEMP RISE(MAX)	80° C				
INERTIA : G.CM2	690	PIN5	PB+	BLUE(蓝)	ENCODER B PLUS	DIELECTRIC STRENGTH	500VDC				
WEIGHT : KGS	1.4	PIN6	PB-	WHITE(白)	ENCODER B MINUS	INSULATION RESISTANCE	100MOHM(500VDC)				
		PIN7	SHIELDED	SHIELDED(屏蔽)	SHIELDED	RADIAL PLAY	MAX0.025MM(LOAD450G)				
		PIN8	NC	NC	NC	AXIAL PLAY	MAX0.075MM(LOAD920G)				
		PIN9	NC	NC	NC	INSULATION CLASSE	B				
							比例	1:1	日期	产 品 型 号	60J1887EC-1000-LS