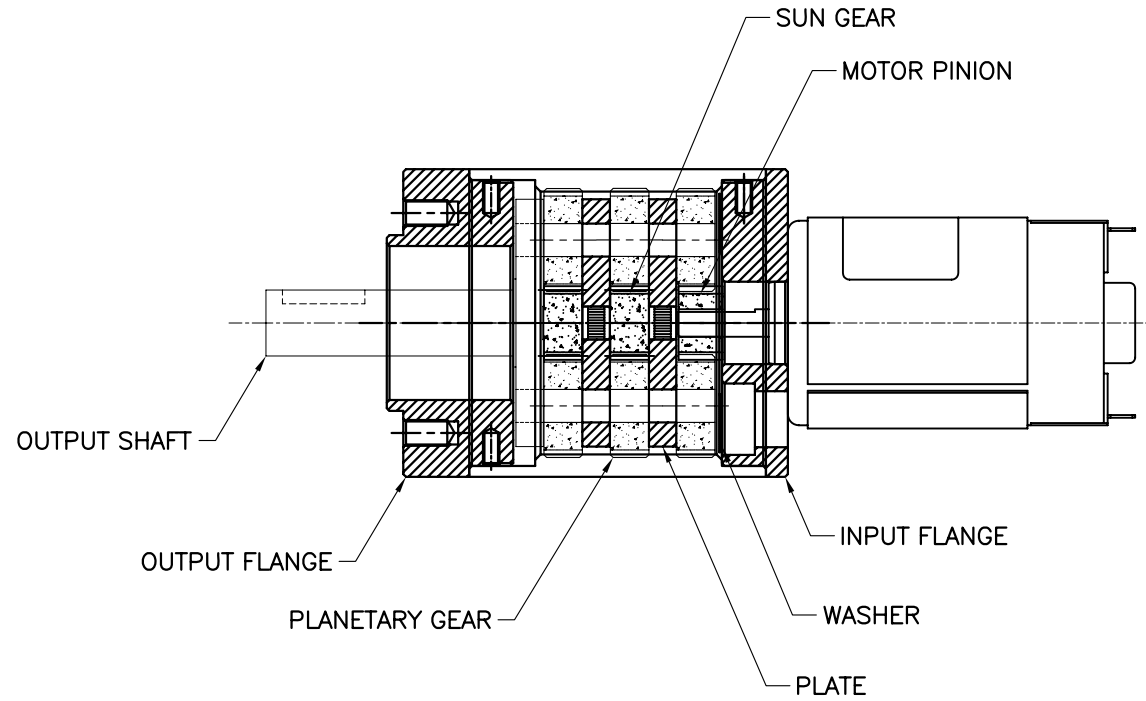

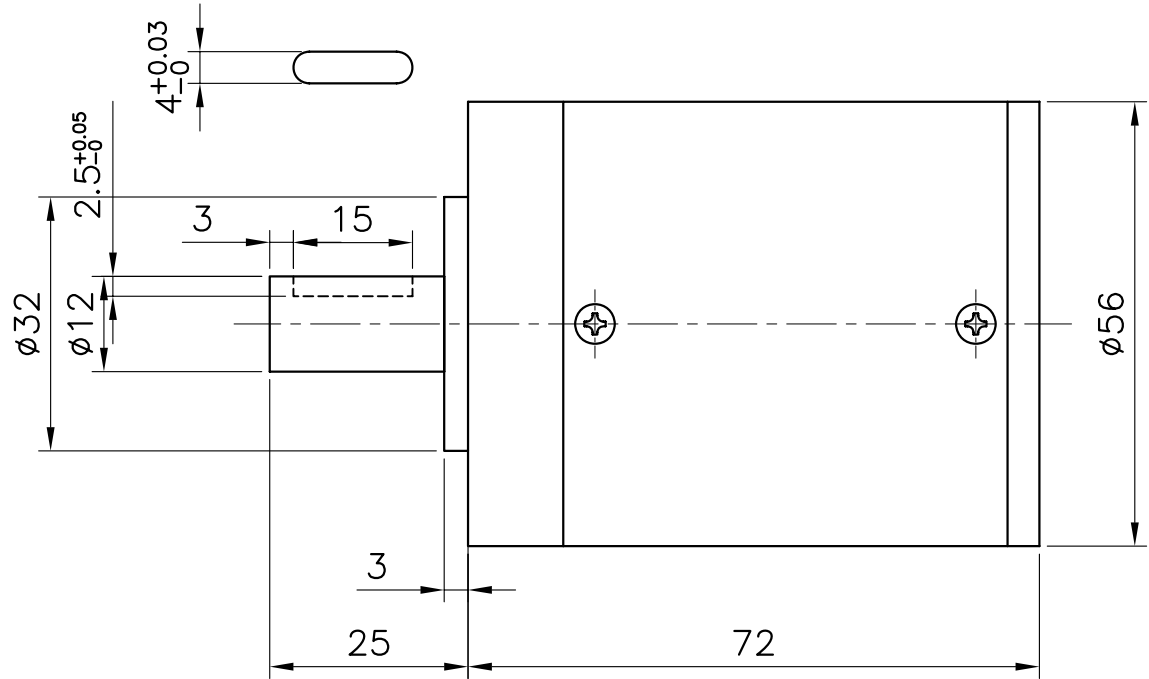
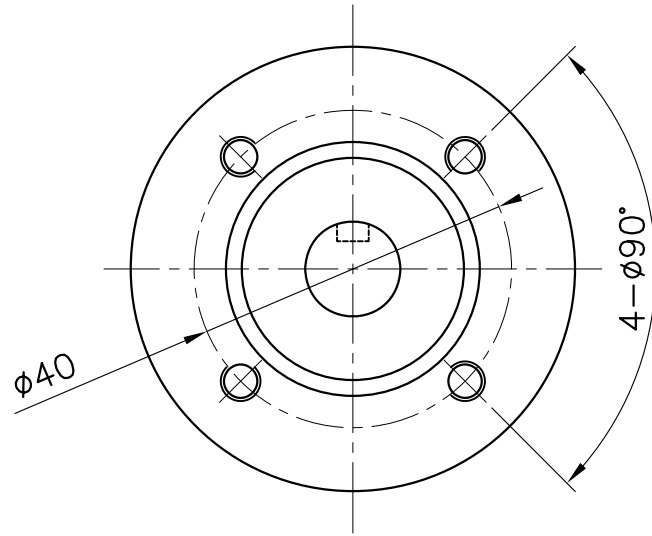


					도면	-			△			
					적용기준	WPS056			△			
					도면				△			
04	03	02	01	도면	항목	도면	부품명	재질	소재치수	소재중량	비고	
					01			AL	-	-		



SCALE	SURFACE TREATMENT	TOLERANCE UNLESS OTHERWISE SPECIFIED			PART NAME
1/1	-	TOLERANCE	SURFACE	ANGLE	
		1	▽		
DESIGNED	2018.02.06	Y S, KIM			DWG. NO.
CHECKED					
APPROVED					

					도면 WPS0560075-ISM	WPS056-75-ISM OUTLINE			△			
				적용기종 WPS056					△			
				도면 WPS056					△			
				도면 WPS056					△			
04	03	02	01	도면 01	도면	부품명	재질	소재치수	소재중량	비고		
								-	-			

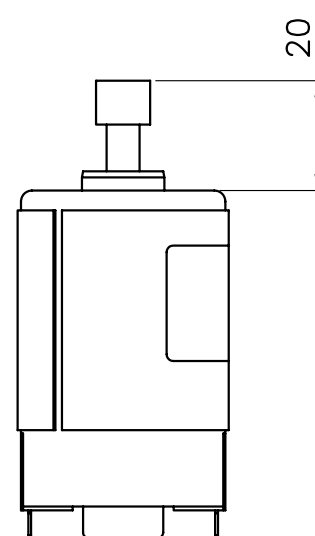
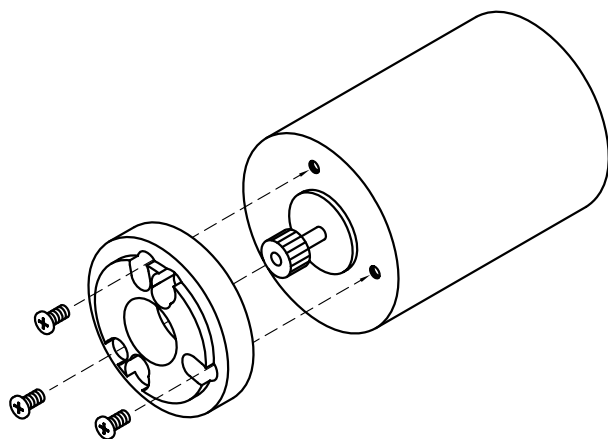


MODEL	WPS056-75-ISM
GEAR RATIO	1/75
STAGE	3
INPUT SPEED	<8,500rpm
MAX TORQUE	150kgcm
EFFICIENCY	70%
TEMPERATURE	-10 ~ 60°C
HUMIDITY	Below 80%
OPTIONAL SPEC.	3th stage sun gear : SCM440 (heat treated) 3th stage planetary gear : S45C (heat treated)
GEAR RATIO STRUCTURE	1/5*1/3*1/5

SCALE	SURFACE TREATMENT	TOLERANCE UNLESS OTHERWISE SPECIFIED			DWG. NO. WPS0560075-ISM
1/1	-	TOLERANCE	SURFACE	ANGLE	
		1	▽		
DESIGNED	2018.02.05 Y S, KIM				
CHECKED					
APPROVED					

How to Assemble WPS056 MOTOR + INPUT FLANGE

					도면													
					적용기종	WPS056												
04	03	02	01	도면	항목	도면	부품명	재질	소재치수	소재중량	비고							
					01			AL	-	-								

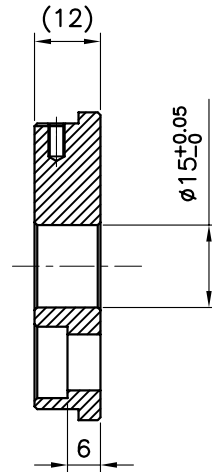
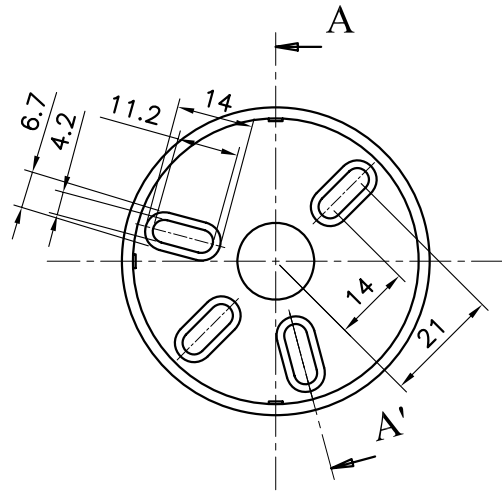


Motor Pinion Height

SCALE	SURFACE TREATMENT	TOLERANCE UNLESS OTHERWISE SPECIFIED			PART NAME
1/1	-	TOLERANCE	SURFACE	ANGLE	
		1	▽		
DESIGNED	2018.02.06	Y S, KIM			DWG. NO.
CHECKED					
APPROVED					

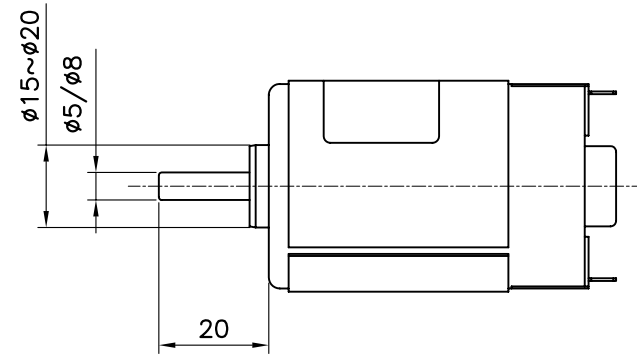
				도면					△			
				키					△			
				용기					△			
				적용기종	WPS056				△			
04	03	02	01	과	도면	부품명	재질	소재치수	소재증량	비고		
				번호	01		AL	-	-			

INPUT FLANGE
WPS056 SERIES



SECTION A-A'

STANDARD
MOTOR SHAFT FOR
WPS056 SERIES



SCALE	SURFACE TREATMENT	TOLERANCE UNLESS OTHERWISE SPECIFIED			PART NAME
1/1	-	TOLERANCE	SURFACE	ANGLE	
DESIGNED	2018.02.06 Y S, KIM	1	∇		DWG. NO.
CHECKED					
APPROVED					

