

# LZT-S Plastics tube Flowmeter



## Long tube type

Model	Measuring range	Medium	Remarks
LZT-15S06L	6-60L / h	Water	Without Guide rod
LZT-15S10L	10-100L / h		
LZT-15S16L	16-160L / h		
LZT-15S25L	25-250L / h		
LZT-15S40L	40-400L / h		
LZT-15S60L	60-600L / h		
LZT-15S100L	100-1000L/h		
LZT-25S06L	60-600L / h		Without Guide rod
LZT-25S10L	0.1-1m <sup>3</sup> / h		
LZT-25S16L	0.16-1.6m <sup>3</sup> / h		
LZT-25S25L	0.25-2.5m <sup>3</sup> / h		
LZT-25S30L	0.3-3m <sup>3</sup> / h		
LZT-40S04L	0.4-4m <sup>3</sup> / h		
LZT-40S06L	0.6-6m <sup>3</sup> / h		Without Guide rod
LZT-50S04L	0.4-4m <sup>3</sup> / h		
LZT-50S06L	0.6-6m <sup>3</sup> / h		
LZT-50S10L	1-10m <sup>3</sup> / h	With Guide rod	
LZT-50S16L	1.6-16m <sup>3</sup> / h		
LZT-100 LZT-125 LZT-150	S09L/F	14-90m <sup>3</sup> / h	Flange connection With Guide rod
	S12L/F	18-120m <sup>3</sup> / h	
	S15L/F	20-150m <sup>3</sup> / h	
	S20L/F	25-200m <sup>3</sup> / h	



## Short tube type

Model	Measuring range	Medium	Remarks	
LZT-15S06S	6-60L/h	Water	Without Guide rod	
LZT-15S10S	10-100L/h			
LZT-15S16S	16-160L/h			
LZT-15S25S	25-250L/h			
LZT-15S40S	40-400L/h			
LZT-15S60S	60-600L/h			
LZT-15S100S	100-1000L/h			
LZT-25S06S	60-600L/h			Without Guide rod
LZT-25S10S	0.1-1m <sup>3</sup> /h			
LZT-25S16S	0.16-1.6m <sup>3</sup> /h			
LZT-25S25S	0.25-2.5m <sup>3</sup> /h			
LZT-25S30S	0.3-3m <sup>3</sup> /h			
LZT-32S04S	0.4-4m <sup>3</sup> /h			
LZT-32S06S	0.6-6m <sup>3</sup> /h			Without Guide rod
LZT-32S10S	1-10m <sup>3</sup> /h			
LZT-40S06S	0.6-6m <sup>3</sup> /h			
LZT-40S10S	1-10m <sup>3</sup> /h			Flange connection With Guide rod
LZT-40S16S	1.6-16m <sup>3</sup> /h			
LZT-50S06S	0.6-6m <sup>3</sup> /h			
LZT-50S10S	1-10m <sup>3</sup> /h			
LZT-50S16S	1.6-16m <sup>3</sup> /h			
LZT-65S16S	1.6-16m <sup>3</sup> /h			
LZT-65S25S	5-25m <sup>3</sup> /h			
LZT-65S40S	8-40m <sup>3</sup> /h			
LZT-65S60S	12-60m <sup>3</sup> /h			
LZT-80S25S	5-25m <sup>3</sup> /h			
LZT-80S40S	8-40m <sup>3</sup> /h			
LZT-80S60S	12-60m <sup>3</sup> /h			

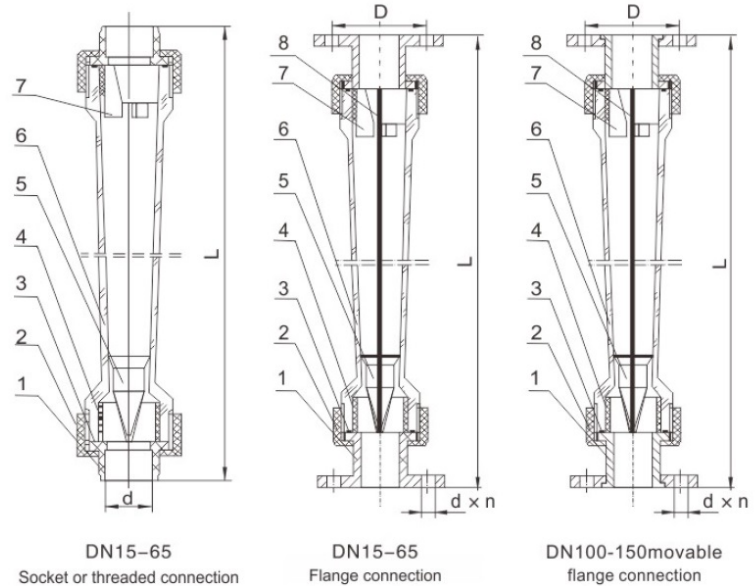


# LZT-S Plastics tube Flowmeter



## Parts and material

Number	Name	Material
1	Connection tube	UPVC
2	Nut	ABS
3	O-ring	NBR
4	Bottom stop shaft	PE
5	Floater	ABS
6	Cone tube	AS
7	Top stop shaft	PP
8	Guide rod	304ss or 316ss



## Dimensions(mm)

(mm)	Long tube size			Short tube size			Flange connection size			
	L	d		L	d		L		D	d×n
		Sinking insert	Thread		Sinking insert	Thread	Long tube	Short tube		
15	280	φ 20	G1/2 "	200	φ 20	G1/2 "	320	240	65	14×4
25	380	φ 32	G3/4 "	226	φ 32	G3/4 "	432	278	85	14×4
32	—	—	—	288	φ 40	G1 "	—	351	100	18×4
40	435	φ 50	—	341	φ 50	—	489	435	110	18×4
50	435	φ 63	G1-1/2 "	341	φ 63	G1-1/2 "	519	435	125	18×4
65	—	—	—	430	φ 75	G2 "	—	522	145	18×4
80	—	—	—	—	—	—	540		160	18×8
100	—	—	—	—	—	—	550		180	18×8
125	—	—	—	—	—	—	550		210	18×8
150	—	—	—	—	—	—	550		240	22×8

### For Order:

- LZT- S L: Long tube type  
 LZT- S S: Short tube type
- Connection: /F : Flange type (DN15-65 can also be used for PVC flange connection)  
 /N : Thread  
 /□ : Sinking insert  
 (You can customize the PVC tube suitable for NAS1 or JIS standards.)
- Special requirements:  
 For anticorrosive type (guide rod lining F46), add suffix / F46  
 If it has upper and lower limit alarm function, add suffix / K1 (lower limit), K2 (upper limit)
- DN15 series is usually equipped with 4 parts PVC pipe or 6 parts PVC pipe