

Panel(Piping) Type Flowmeter



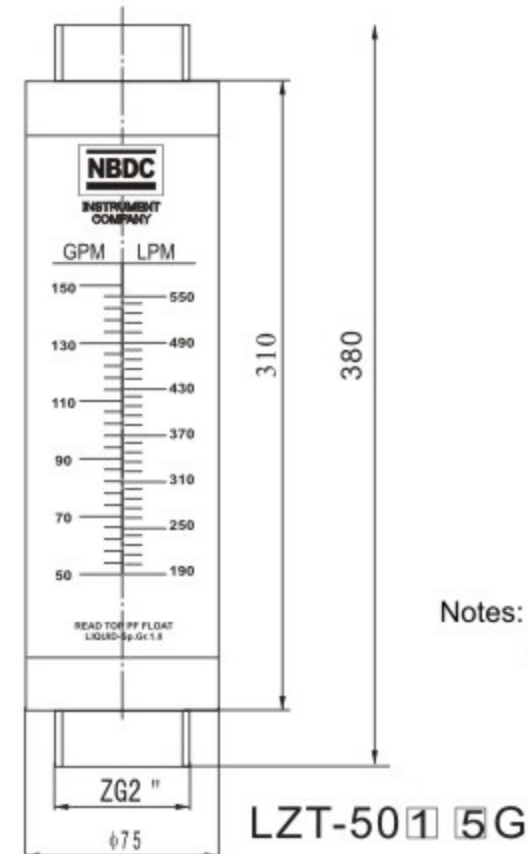
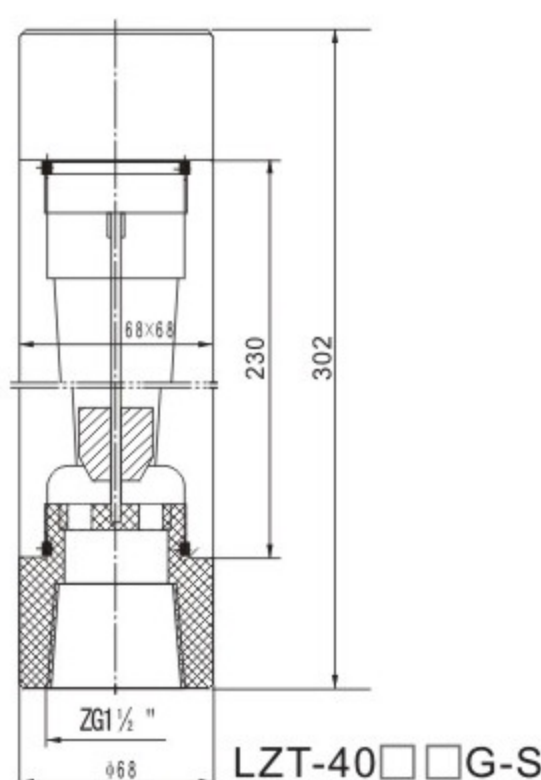
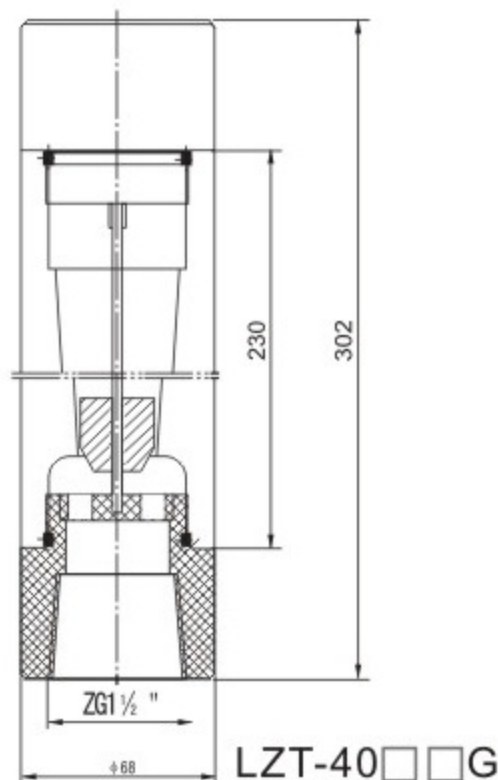
LZT-40/LZT-50 Series Piping type Flowmeter

Model	Measuring range	Medium	Remarks
LZT-4004G	4~40GPM/15~150LPM	Water	Circular
LZT-4006G	6~60GPM/25~250LPM		
LZT-4008G	8~80GPM/30~300LPM		
LZT-4010G	10~100GPM/50~350LPM		
LZT-4004G-S	4~40GPM/15~150LPM		Square
LZT-4006G-S	6~60GPM/25~250LPM		
LZT-4008G-S	8~80GPM/30~300LPM		
LZT-4010G-S	10~100GPM/50~350LPM		

Model	Measuring range	Medium	Remarks
LZT-5015G	50~150GPM/190~550LPM	Water	Circular
LZT-5020G	50~200GPM/200~750LPM		



Dimensions(mm)



Notes: ① Joint material: PP
② 2" NPT/F thread is selectable.