

Product back



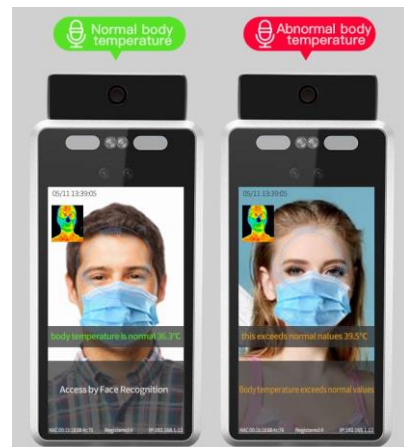
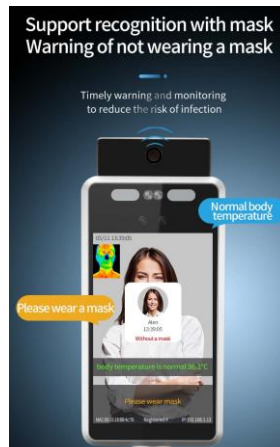
Product side

DETECTOR

## Model: AZTC1290

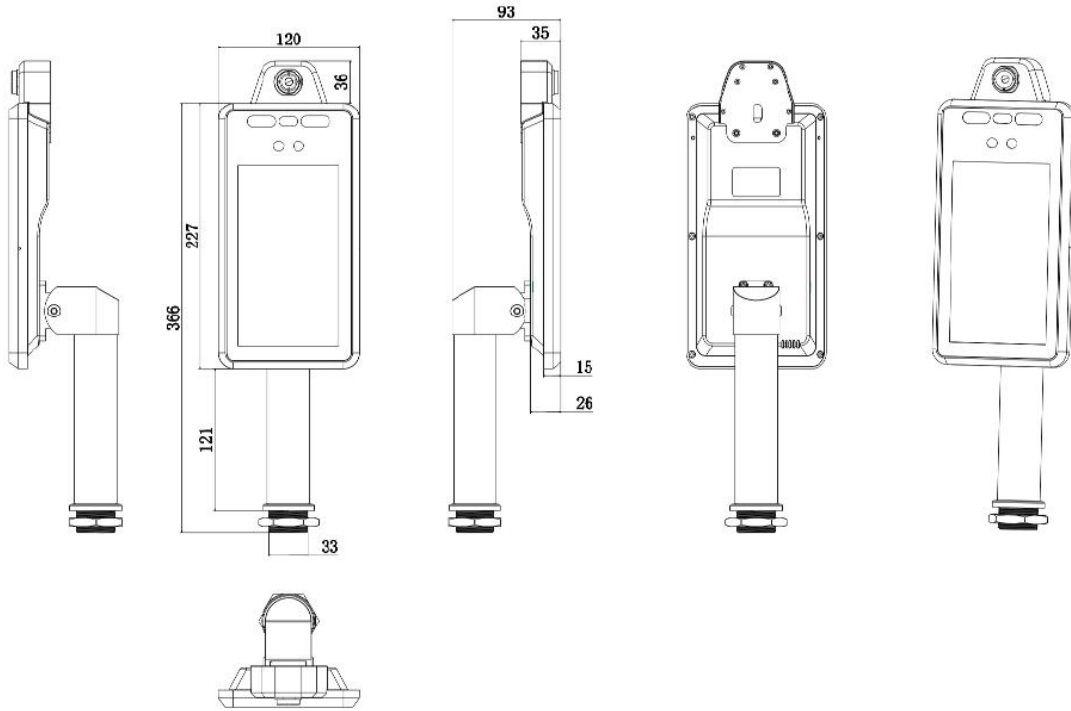
### DESCRIPTION:

- ◆ Long range detection 0.3m to 1.3m with accuracy  $\pm 0.3^{\circ}\text{C}$
- ◆ Using latest Linux Based AI chip (4\*1.5GHz CPU + 4\*1GHz NPU + 800MHz MCU)
- ◆ Integrated face capturing and recognition function with infrared temperature measurement
- ◆ Superb speed - quick recognition and body temperature measurement at 200ms
- ◆ Face Recognition accuracy >99%
- ◆ Industrial grade design, pitch Angle, left and right rotation adjustable
- ◆ Support active face detection using active Near-Infrared video, effective prevention of photos and video spoofing
- ◆ Face mask Detection
- ◆ Face Library capacity 30,000, easy face template importing, support single/batch image file import
- ◆ Support face types of ordinary people, eg whitelist people, blacklist people, etc.
- ◆ Support recognize result linkage I/O, Wiegand port output, voice broadcast
- ◆ Dual camera design



MODEL	AZTC1290
<b>SPECIFICATIONS</b>	
Screen Dimensions	7 inch, full-angle IPS LCD screen
Screen Resolution	1024 x 600
Camera Type	Dual Camera Design
Camera Image Sensor	1/2.8" SONY starlight CMOS
Camera Resolution	1920 x 1080 @ 30fps
Camera Features	>50db SNR, >120db WDR
Thermal Image Sensor	Vanadium Oxide Uncooled Focal Plane Arrays
Thermal Sensor Resolution	120 x 90
Temperature Scanning Distance	0.3m – 1.2 m
Temperature Accuracy	± 0.3 °C
Temperature Scanning Speed	<0.2 sec
Face Detection Features	Support live face detection, avoid photos and video spoofing
Face Recognition Distance	0.3-2m, support detection target size filter adjustment
Algorithm Accuracy	Face recognition accuracy 99%
Face Library Capacity	30,000 faces; support black/white list
Posture	Support side face filter, comparable within 30 degrees in vertical and 30 degrees in horizontal
Unobstructed Detection	Cap/hat, eye glasses, bangs hairstyle will not affect detection
Expression	any slight expressions will not affect recognition
Response Speed	<1 sec
Memory	8GB EMMC + 1GB DDR
Local Event Storage	up to 100,000 events
Recognition area	Full image recognition, support zone optional setting
Upload Method	TCP, FTP, HTTP, API code
<b>Network Function</b>	
Network protocol	IPv4, TCP/IP, NTP, FTP, HTTP
Interface protocol	RTSP
Security Mode	Authorized username and password
Event linkage	FTP upload, alarm output linkage, Wiegand output linkage
System Upgrade	Support remote upgrade
<b>General &amp; Interface</b>	
Supplementary Light	IR light, LED white light
Speaker	Built-in
Network Interface	RJ45 10/100 Base
Alarm Input / Output	2 IN / 1 OUT
WiFi connection	Optional - Built-in 2.4G 802.11b/g/n
TF Card	-
USB	1
Wiegand Interface	Wiegand 26, 34, 66 protocols
Reset Button	Yes
4G SIM Card	4G LTE (optional)
RFID Card Reader	Optional
Operating Temperature / Humidity	-10°C ~ +60°C / > 90% RH
Protection Level	- / for indoor use only
Power Supply / Power Consumption	DC 12V / <24W
Unit Dimension	226mm(H)*120mm(W)*33mm(D)
Installation Type	Wall installation / gateway installation / floor stand installation
Certification	FCC / CE

### Dimension



Specifications subject to change without notice. © 2020.All rights reserved.

### Installation Type :



Floor Stand 1.1m (Optional)



Table Stand (Optional)



Gateway Installation Bracket (optional)