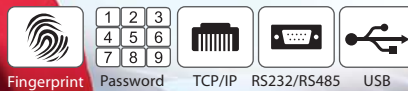


Time is free, but it's priceless



AC100C Fingerprint Time & Attendance System



AC100C is built for cost-effectiveness, so that startups, smaller companies or those with a smaller budget set aside for time management system can still deploy the solution to better their operation. This device holds an amazing capacity for fingerprint templates and transaction records, plus it can be synchronized with the TCMS V3 software for easier data management. AC100C is a great choice for practicality at an affordable cost.



Eliminate Buddy Punching

Card system doesn't solve 'buddy-punching' problem where one employee can clock for another employee. Eliminate 'buddy-punching' by using user's fingerprint as identity.



Workcodes

Let your staff experience more independence by reporting their whereabouts via our workcodes feature.



Cloud-Ready Technology

AC100C comes with the latest PUSH technology, suitable for FCC data storage and convenient for TimeTec TA. The technology eliminates the need for manual data download process.



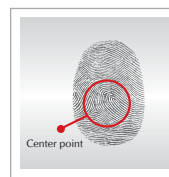
Data Management Simplified

FingerTec AC100C is equipped with TCP/IP connectivity and when that is not available, a USB flash port can be used to transfer transaction logs into your computer.



Manage Data Easily

TCMS V3 is loaded with useful features complete with various reports for your business. Its data integration to 3rd party software is made available through the readily available SDK.



Precise Recognition

A100C uses minutiae point matching fingerprint technology, an advanced algorithm to match the stored fingerprint template with the live one to guarantee authenticity.



Full Colour Screen

AC100C comes with a full color TFT screen. It supports display of corporate advertisements, screen-savers and more.



Value for Money

This model was designed to be economical so that you are able to implement FingerTec solutions at a lower cost. We believe that when it comes to security, there should be no compromise.

WEB LINK

Product
<http://info.fingertec.com/ac100c-1>

Quick Start Guide
<http://info.fingertec.com/ac100c-2>

Installation Guide
<http://info.fingertec.com/ac100c-3>

User Guide
<http://info.fingertec.com/ac100c-4>

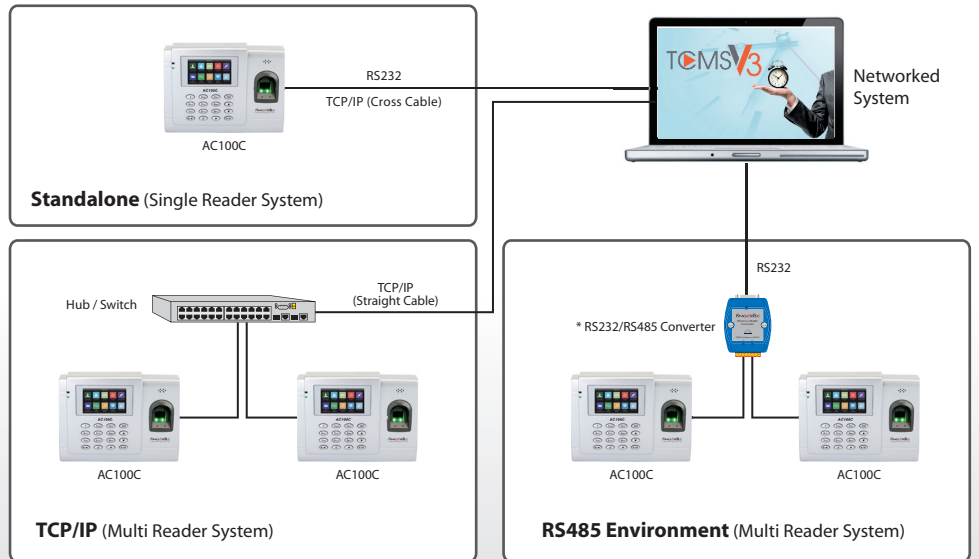
Video Guide
<http://info.fingertec.com/ac100c-5>

Technical Tips
<http://info.fingertec.com/ac100c-6>

TCMSV3 Software
<http://info.fingertec.com/tcmsv3>

LAYOUT PLAN

for illustration only * optional



SPECIFICATIONS

MODEL	AC100C
SURFACE FINISHING	Acrylonitrile butadiene styrene (ABS)
TYPE OF SCANNER	Non coated optical scanner
MICROPROCESSOR	800 MHz
MEMORY	256 MB flash memory & 128 MB SDRAM
ALGORITHM	BioBridge VX 9.0 / VX 10.0
PUSH TECHNOLOGY	Yes
PRODUCT DIMENSION (L X W X H), mm	195 x 48 x 144
STORAGE	
• Fingerprint templates	8000
• Transactions	200000
ENROLLMENT & VERIFICATION	
• Methods	Fingerprint (1:1, 1:N) & password
• Recommended fingerprint per user ID	2
• Fingerprint placement	Any angle
• Verification time (sec)	<1
• FAR (%)	< 0.0001
• FRR (%)	< 1
COMMUNICATIONS	
• Method	TCP/IP, USB disk (Optional: RS232 & RS485)
• Baud rates	9600, 19200, 38400, 57600, 115200
OPERATING ENVIRONMENT	
• Temperature (°C)	0 ~ 45
• Humidity (%)	20 ~ 80
• Power input	DC 5V 2A
TIME ATTENDANCE	
• Work codes	Yes
• Fast transaction checking	Yes
MULTIMEDIA	
• Voice	Yes
• Display	3.0" 65k color TFT screen
• Short message	Yes
• Photo ID	Yes
VOICE / DISPLAY LANGUAGE (TERMINAL)	English (Standard), Arabic, Indonesian, Chinese (Simplified), Cantonese / Chinese (Traditional), Thai, Vietnamese, Spanish, Portuguese (Portugal), French, Russian, German, Turkish & Persian Other languages are available upon request.
SOFTWARE LANGUAGE	Arabic, Bulgarian, Chinese (Simplified), Chinese (Traditional), English, German, Hindi, Indonesian, Kurdish, Malay, Persian, Portuguese, Russian, Spanish, Thai, Vietnamese

NOTE: Specifications are subject to change. Check <http://product.fingertec.com> for latest product information.

Authorized Reseller:



Packaging

Dimension (mm) : 245 (L) x 90 (W) x 225 (H)
 Weight : 1kg



FINGERTEC
www.fingertec.com

© 2017 Timetec Computing Sdn Bhd. All rights reserved.