

Economical Cartridge Filter Housing for General Applications

The entry level SYSFLO SC Series Cartridge Filter Housing is a non-code, multi cartridge filter vessel, providing features which includes:

- Simple, light weight design for demanding applications.
- Clamp closure design for easy installation and removal.
- Available in SS304, SS316, SS316L & SS316L EP construction.
- Accomodates Sizes 10", 20", 30" & 40" DOE & SOE Style Cartridge Filters
- Comes with leg support for sturdy vessel's operation.
- Available from 1" - 3" connection sizes (Flanged & Threaded).
- Available options of vent and drain ports to suit user's requirement.
- Available filter accessories for ease of user's operation.

The economical SYSFLO SC Series Cartridge Filter Housing is design for general industrial and commercial process application. The clamp closure design allows the filter housing to operate in low demanding applications while ensuring no spillage of liquid during removal of the top lid cover. Designed to contain up to 7 pieces of multiple length cartridge filter, the SYSFLO SC Series are customized to optimize the low as well as high liquid flow rates process application. The simple construction design accomodates both the DOE as well as SOE Style cartridges. Fully electropolished SS316L units are available for use in more demanding process.



The SYSFLO SC Series will provide process users with the below benefits:

- Economical and low capital cost of investment.
- Quick and simple cartridge installation while cleaning and maintenance are made easy with individual removable parts.
- Greater flexibility with spring seal design which allows usage of 9 3/4" or 10" equivalent cartridges.
- No spillage of liquid during filter change out.
- Applicable for most general and less demanding process.



SYSFLO SC Series Cartridge Filter Housing Applications:

- ⇒ Aqueous Cleaning
- ⇒ Process Cooling Water
- ⇒ Water & Wastewater
- ⇒ Metal Parts Washing
- ⇒ Machine Coolants
- ⇒ Batch Filtration Process
- ⇒ Food & Beverages Process
- ⇒ Edible Oil & Fats Process
- ⇒ Paints & Coatings
- ⇒ Chemical Filtration

SYSFLO SC Series Cartridge Filter Housing Details:

Specifications:	Housing Size:			
	3SC	4SC	5SC	7SC
Material:	SS304, SS316 & SS316L			
Connection Size ^{*1} :	1" - 1.5"	1.5" - 2"	2" - 2.5"	3"
Connection Types ^{*2} :	NPT-F, BSP-F, ANSI #150RF, JIS10K			
Max. Pressure:	7 Bar			
Max. Temperature:	75 °C			
Flowrate (m ³ /hr) ^{*2} :	3 - 9	4 - 12	5 - 20	7 - 28
Volume (Liter):	14 - 28		23 - 55	
Dry Weight (kg):	15 - 20		21 - 31	

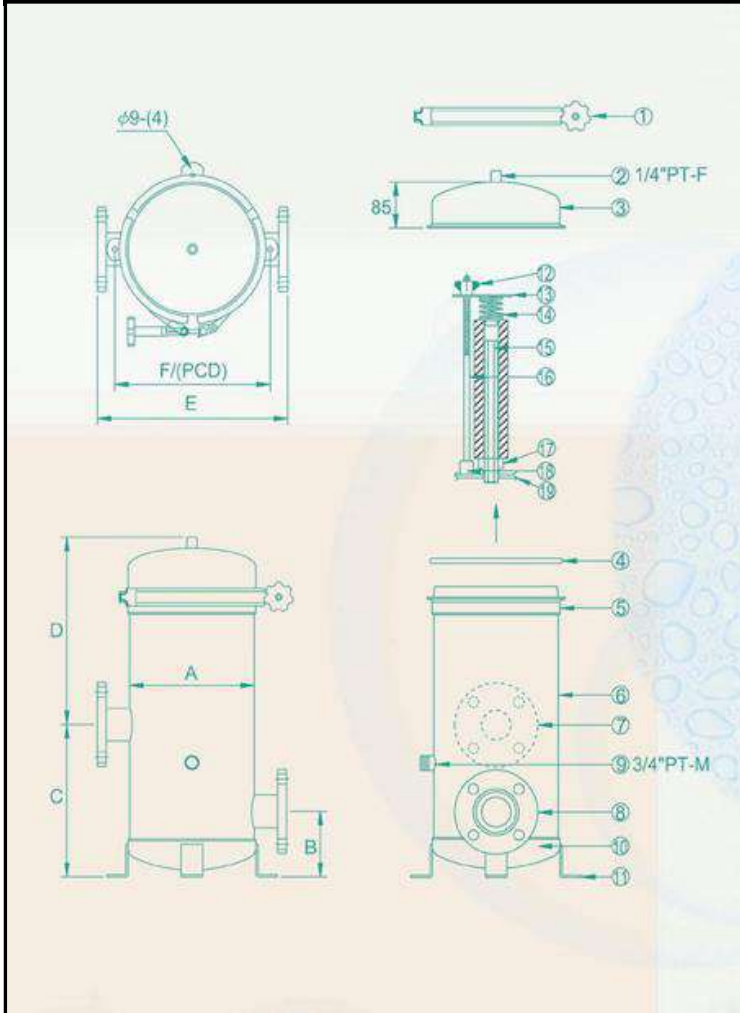
*1 - Connection sizes shown are standard for each individual housings.

Other connection sizes are available upon request.

*2 - Other connection types are available upon request.

*3 - Flowrate is based on water characteristics.

Filter Housing Dimensions & Part Details



Dimensions (mm):

Model	3SC(1/2/3)	4SC(1/2/3)	5SC(2/3/4)	7SC(2/3/4)
A	Ø180 x 1.5T		Ø232 x 1.5T	
B	120			
C	280			
D	345 / 610 / 865		610 / 865 / 1120	
E	300		352	
F	Ø236		Ø288	

Part Details:

1	Top Cover Clamp (Part No: XSC-100X)
2	Vent Port
3	Top Cover (Part No: XSC-200X)
4	Cover Gasket / O-Ring (Part No: XSC-300X)
5	Body / Shell Flange
6	Body / Shell
7	Inlet Port
8	Outlet Port
9	Drain Port
10	Dome / Head
11	Filter Leg Support
12 & 18	Seal Plate Tie Rod Nuts (Part No: XSC-400XT)
13	Cartridge Seal Plate (Part No: XSC-500X)
14	Spring Seal (Part No: XSC-600X)
15	Cartridge Post (Part No: XSC-700X)
16	Seal Plate Tie Rod (Part No: XSC-800X)
17	Bottom Sealing Cap
19	Cartridge Support / Diaphragm Plate

SYSFLO SC Series Cartridge Filter Housing Ordering Guide

SC Series Model	Cartridge Length
3SC - 3 Rounds	1 - 10" Length
4SC - 4 Rounds	2 - 20" Length
5SC - 5 Rounds	3 - 30" Length
7SC - 7 Rounds	4 - 40" Length

Housing Material	Inlet / Outlet Connection	
	Size	Type *1
A - SS316L	010 - 1"	A - ANSI #150RF Flange
B - SS316	015 - 1.5"	B - BSP Female
C - SS304	020 - 2"	N - NPT Female
	025 - 2.5"	J - JIS10K Flange
	030 - 3"	

Cover Gasket
E - EPDM
N - Nitrile *2
S - Silicone
T - Teflon Encaps Viton
V - Viton

Special Options
SOE Style Options
F2 - Flat Cap / 222
S2 - Fin End / 222
F6 - Flat Cap / 226
S6 - Fin End / 226

E - Electropolish Options

* Eg. 1 **4SC2-C020N-N** - SYSFLO SC Series Cartridge Filter Housing, 4 x 20"L DOE Style, SS304, 2" NPT Female Inlet / Outlet Connection with Nitrile Cover Gasket.

* Eg. 2 **7SC3-A030A-N-S2E** - SYSFLO SC Series Cartridge Filter Housing, 7 x 30"L SOE Style (Fin End / 222), SS316L Electropolished, 3" ANSI #150RF Flange Inlet / Outlet Connection with Nitrile Cover Gasket.

*1 - Other connection types are available upon request, please consult our Sales & Marketing Division.

*2 - Housing comes with standard nitrile cover gasket / o-ring. Other materials are available as per specified in Ordering Guide.