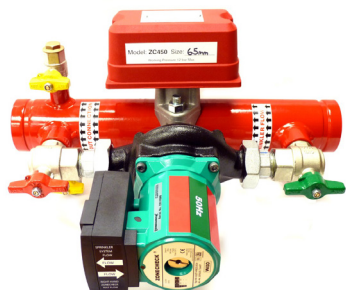


ZONECHECK⁴⁵⁰ ADDRESSABLE



*Extinguishing System Attachment - Life Safety, UL 346 & 864 (58, 59 & 65) Approved

- ✓ Automatic Testing & Record Keeping
- ✓ 100% Water Saving
- ✓ Life Safety Code Compliant

Overview

Zonecheck Addressable is a system designed to effectively manage a buildings flow-switch alarm testing routine. Automatic testing and recorded logs are managed by a series of intelligent monitoring modules (IMM) all interconnected to one central controller.

The controller has the capability to initiate a simultaneous flow-switch test for every Zonecheck in the building at the push of a button or as part of an automatic, on-going routine.

Specification

Controller

Dimensions (w x h x d).....	288 x 375 x 120 mm
Mains power supply.....	120 - 240 VAC 50/60 Hz- 250w max
Internal PSU.....	36 v D.C. nominal
PCB voltage rating.....	36 v D.C. nominal
Supply & battery charger status monitored for failure.....	Yes
Batteries monitored for disconnection or failure.....	Yes
Maximum battery size & type.....	7 Ahr, 2 x Yuasa NP7-12 1 x NP7-6

IMM

Dimensions (w x h x d).....	301 x 198 x 78 mm
Mains power supply.....	120-240 VAC 50/60 Hz- 250w max
PCB Voltage rating.....	120-240 VAC 50/60 Hz- 250w max

Printer

Model.....	TP-832
Power supply.....	AC 230V ±10% , 50/60Hz, 0.3A / AC 120V ±10% , 60Hz, 0.4A (2m power cable)
Connector.....	RJ45 8-pin modular type connector for RS845 with no LED lamp.
Cable.....	1m Ethernet cable
Dimensions.....	165 x 247 x 135 mm
Weight (without paper).....	2.2 Kg

Pump

Operating Voltage.....	240v 50Hz
Full Load Current.....	0.88
Power Rating.....	185 watts
IP Rating.....	IP43
WP Rating.....	175 psi

Flow-switch

Triggering flow-rate.....	30-57 litres/minute
Enclosure rating.....	IP54
Conduit entrances.....	Ø22.2 mm
Contact ratings.....	10 A @ 125/250V AC 2.5 A @24V DC
Operating temperature range.....	0-68°C (32-155°F)

Wiring

Type.....	FP200 (or equivalent)
Requirements.....	Life-safety compliant, fire resistant screened cable

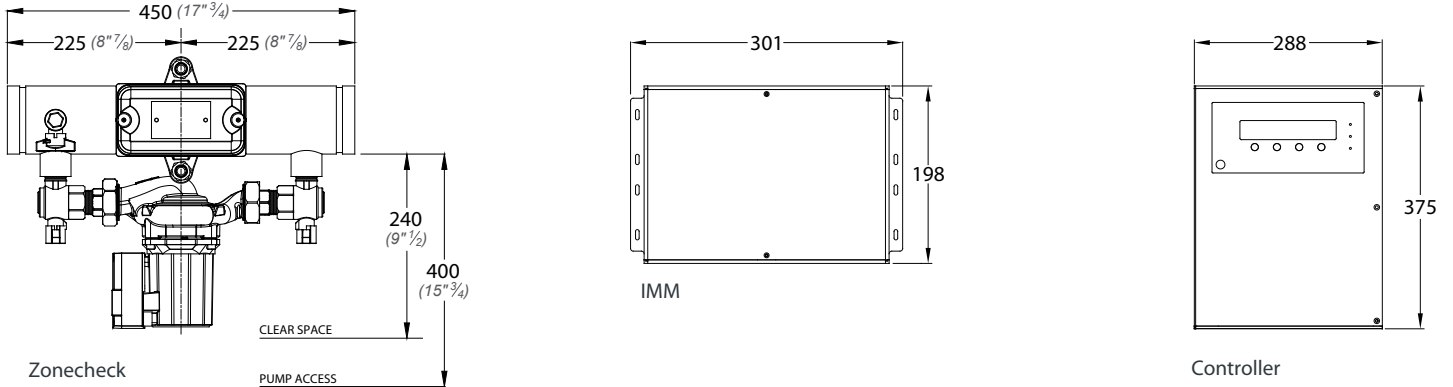
Zonecheck

Working pressure rating.....	max 15 bar (water)
Compatible pipe.....	2", 2½", 3", 4", 6"
Connections.....	Roll groove (both ends)

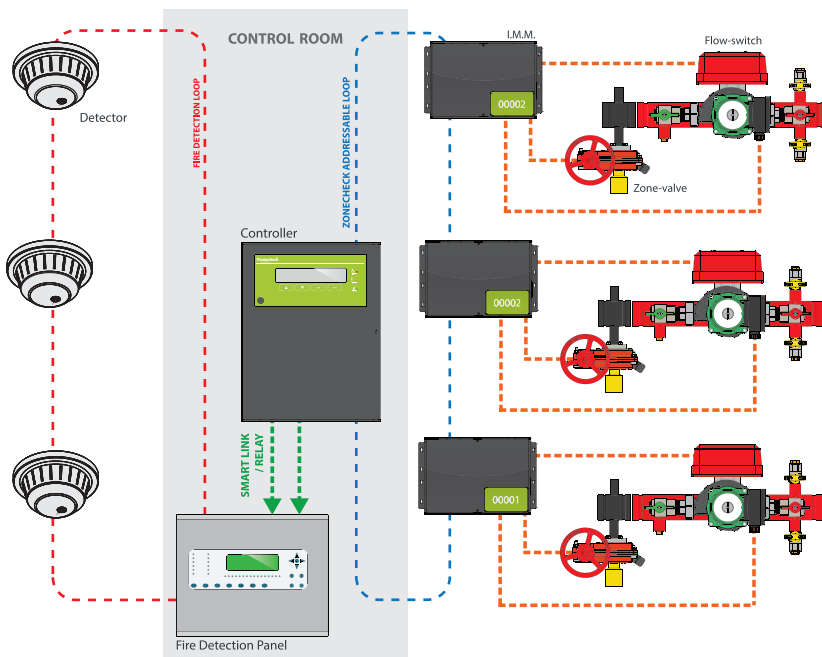
Installation

Installation must be carried out by a suitably qualified engineer using the *Installation & Operating Instructions* (ZC-ADD-IB). Every Zonecheck® comes with its own IMM which should be installed on a nearby wall or next to the Zonecheck® on the pipe. The circulating pump, flow-switch and zone valve (optional) are wired to the IMM. Every IMM is wired (as part of a looped system) back to the addressable controller. The controller allows the user to test every Zonecheck® and to monitor the status of every zone valve incorporated into the system. You only need one controller to monitor up to 1000 IMM.

Dimensions



Basic Overview



Ordering information

	Part code	Pipe size (in")
Zonecheck & IMM Right handed	ZC-AD50RH	2"
	ZC-AD65RH	2½"
	ZC-AD80RH	3"
	ZC-AD100RH	4"
	ZC-AD150RH	6"
Zonecheck & IMM Left handed	ZC-AD50LH	2"
	ZC-AD65LH	2½"
	ZC-AD80LH	3"
	ZC-AD100LH	4"
	ZC-AD150LH	6"
Controller	ZC-ADCTL	



Scan QR barcode using your smart phone (*red laser* app) to learn more about Zonecheck Addressable.