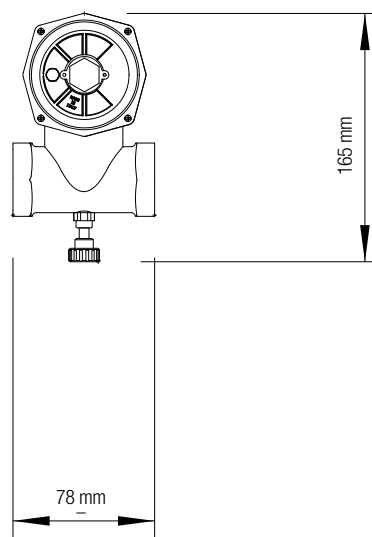
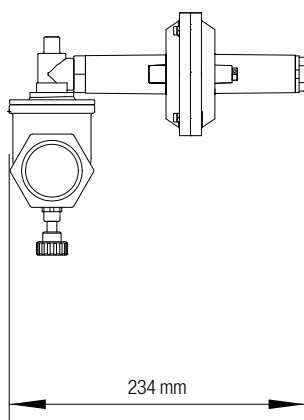


1	Body
2	Upper Body
3	Gasket
4	Insert
5	Ring nut
6	Spring
7	Piston
8	O-Ring
9	Rear handle

10	O-Ring
11	Self-locking nut
12	O-Ring
13	O-Ring
14	Piston
15	Fitting
16	O-Ring
17	O-Ring



Dimension	1/2"	3/4"	1"
WEIGHT (kgs)	1,1	1,05	1,45