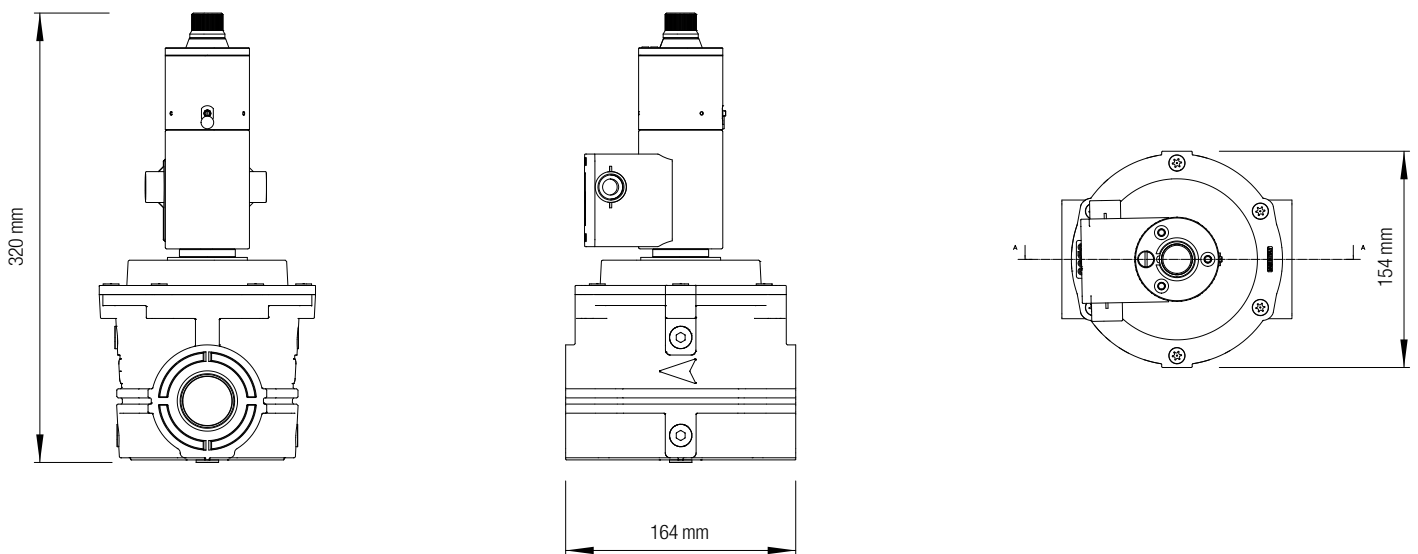


1	Body	8	O-Ring
2	Screw Plugs	9	Pilot
3	O-Ring	10	Coil
4	Plunger	11	Damping system
5	Spring	12	Locking Ring
6	Cover	13	Gasket
7	Screw	14	Connector



Dimension	1 ¼"	1 ½"	2"
WEIGHT (kgs)	5,3	5,3	5,7