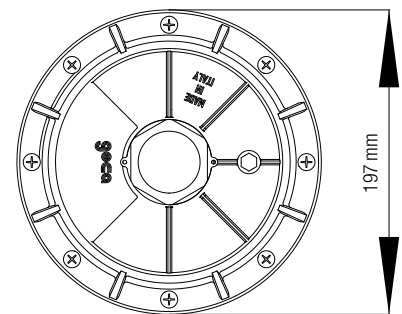
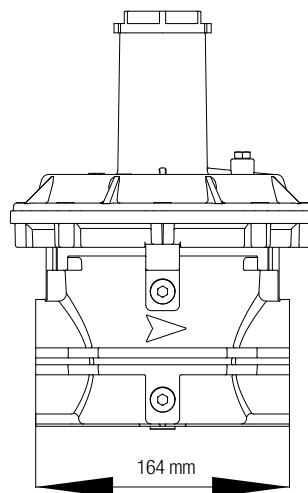
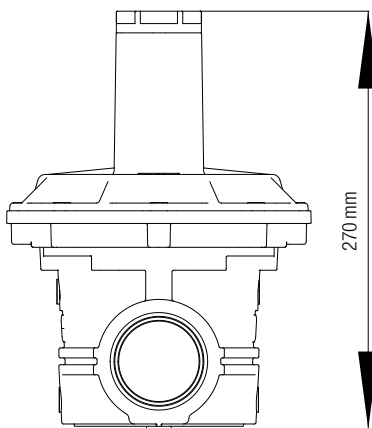


1	Seal cap
2	O ring
3	Spring compressor
4	Washer
5	Spring
6	Vent cap
7	Upper cover
8	Plastic Washer
9	Safety diaphragm
10	Nut

11	Disc
12	Working diaphragm
13	Screws
14	Flange adaptor
15	O ring
16	Shaft
17	Gasket
18	Body
19	Screw plugs



Dimension	1 ¼"	1 ½"	2"
WEIGHT (kgs)	3,4	3,4	3,4