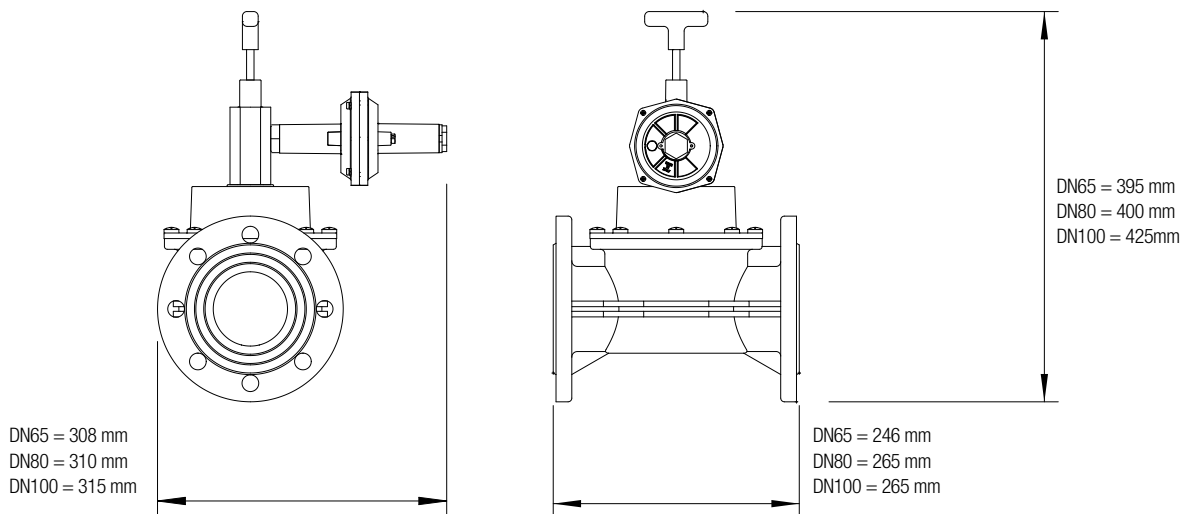


1	Body
2	Cap
3	Fitting
4	Insert
5	Gasket
6	O-Ring
7	O-Ring

8	Screws
9	O-Ring
10	Self-locking
11	Piston
12	O-Ring
13	Spring
14	Rear handle



Dimension	DN65	DN80	DN100
WEIGHT (kgs)	11,23	12,65	13,12