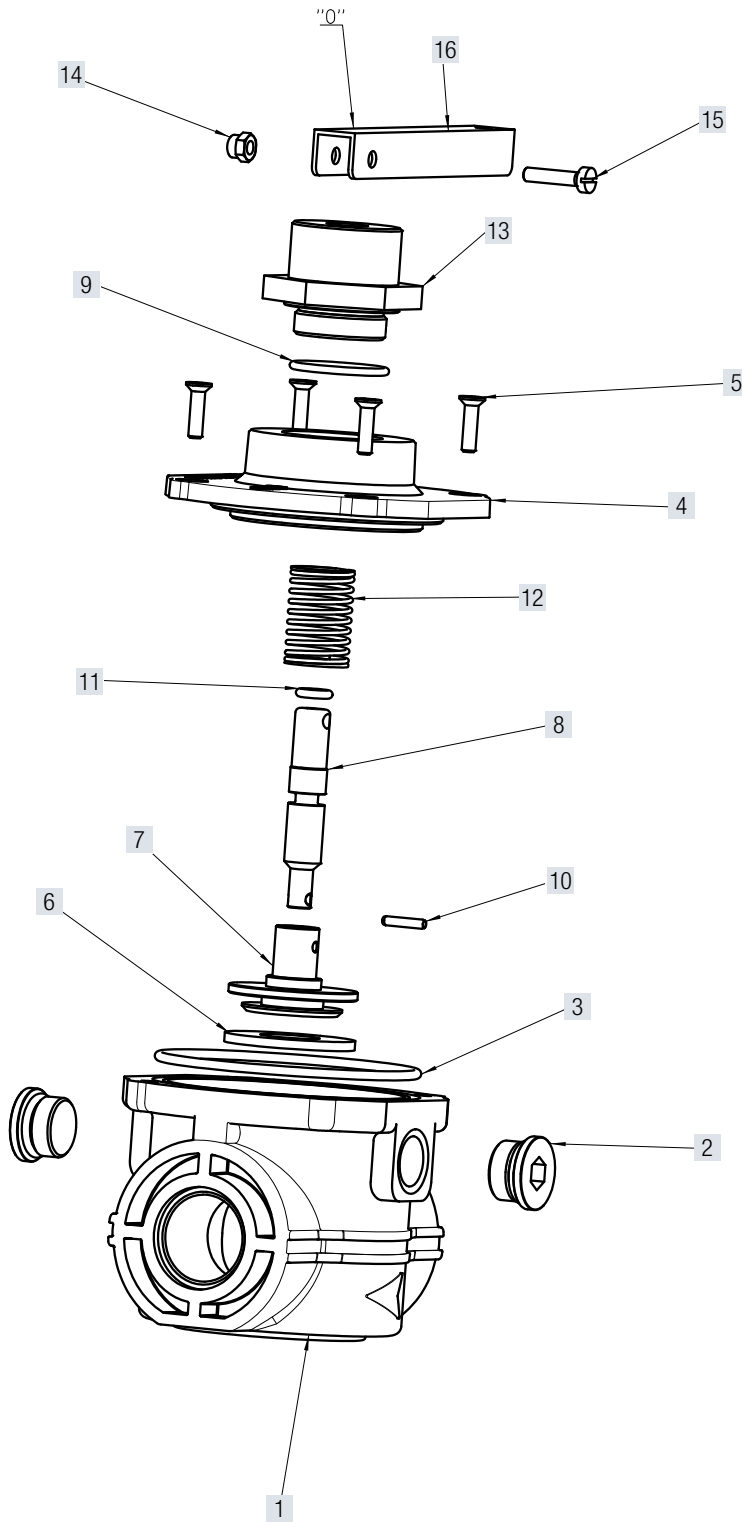


ASSEMBLY OVERVIEW



1	Body
2	Screw plugs
3	O-ring
4	Cover
5	Screw
6	Gasket
7	Shutter plate
8	Rod
9	O-ring
10	Spine
11	O-ring
12	Spring
13	Fitting hex
14	Nut Lock
15	Screw
16	Lever