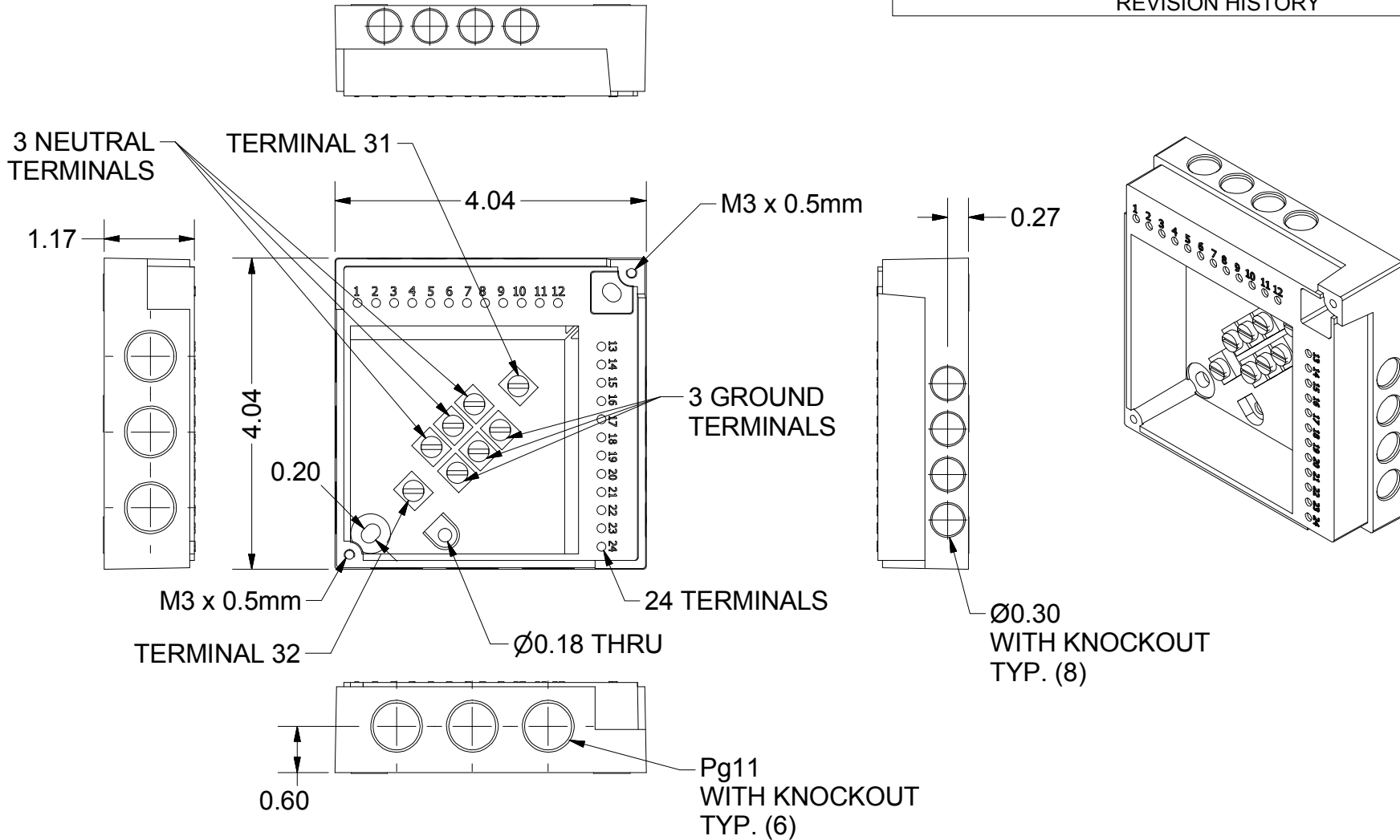


1	2/1/2013	FOR REVIEW	
REV	DATE	DESCRIPTION	APP BY
REVISION HISTORY			



NOTE: DIMENSIONS FOR REFERENCE ONLY

REV. **1**

MATERIAL		SCC Inc. Elk Grove Village, IL 60007 PH# 224-366-8445		DESCRIPTION					
FINISH				LFL Wiring Base					
TOLERANCES (UNLESS OTHERWISE SPECIFIED)				ENGINEER	DRAWN BY	CHECKED BY	DATE ORIGINATED	SHEET	SCALE
FRACT.	.XX	.XXX	ANG.		DAG		2/1/2013	1 of 1	1/2
	+/- 0/00	+/- 0.01	+/- 0.005						
ALL DIMENSIONS IN INCHES UNLESS NOTED				PART / DRAWING #					
This Drawing and all information contained in this Drawing is the Property of SCC Inc.							AGM410490550		