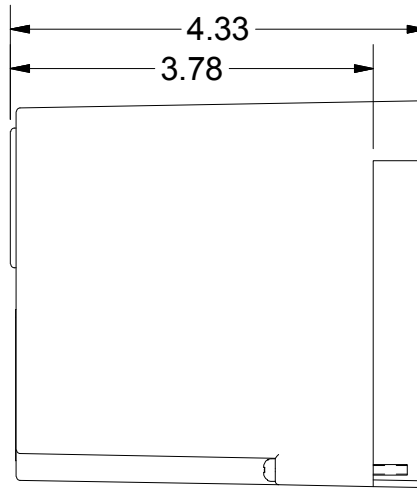
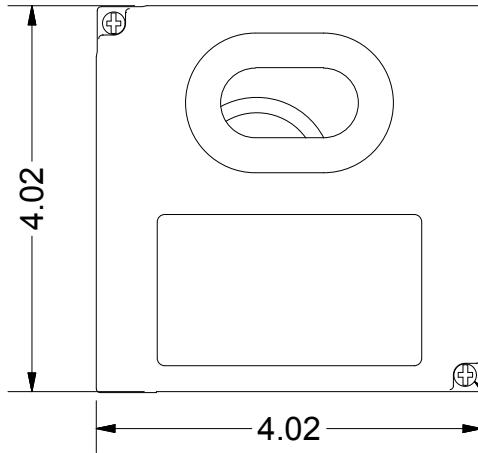
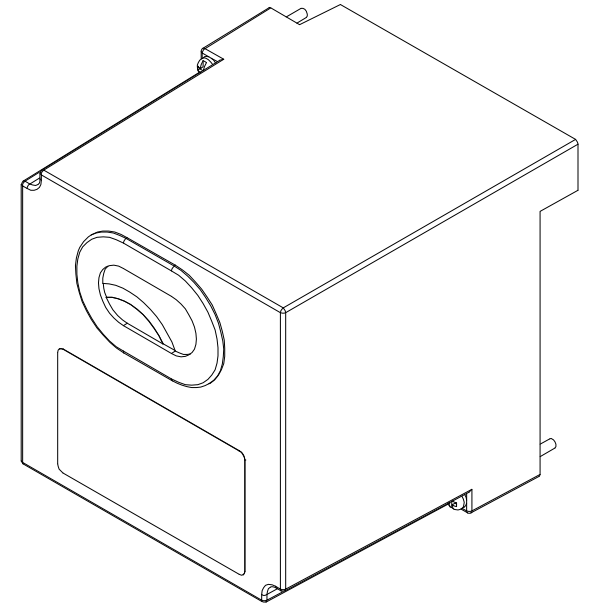
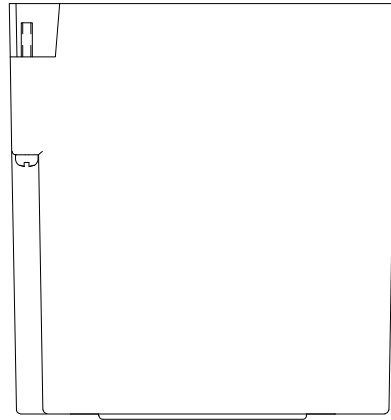


1	2/1/2013	FOR REVIEW	
REV	DATE	DESCRIPTION	APP BY
REVISION HISTORY			



#2 PHILLIPS DRIVE
M3 x 0.5mm
TYP. (2)

NOTE: DIMENSIONS FOR REFERENCE ONLY

REV. **1**

MATERIAL			
FINISH			
TOLERANCES (UNLESS OTHERWISE SPECIFIED)			
FRACT.	.XX	.XXX	ANG.
+/- 0/00	+/- 0.01	+/- 0.005	+/- 0.5°
ALL DIMENSIONS IN INCHES UNLESS NOTED			

SCC Inc.
Elk Grove Village, IL 60007
PH# 224-366-8445

DESCRIPTION		
Flame Safeguard Control		
ENGINEER	DRAWN BY	CHECKED BY
	DAG	
DATE ORIGINATED	SHEET	SCALE
2/1/2013	1 of 1	1/2

This Drawing and all information contained in this Drawing is the Property of SCC Inc.

PART / DRAWING #
LFL1.xxx-110V

2

1

B

B

A

A

2

1