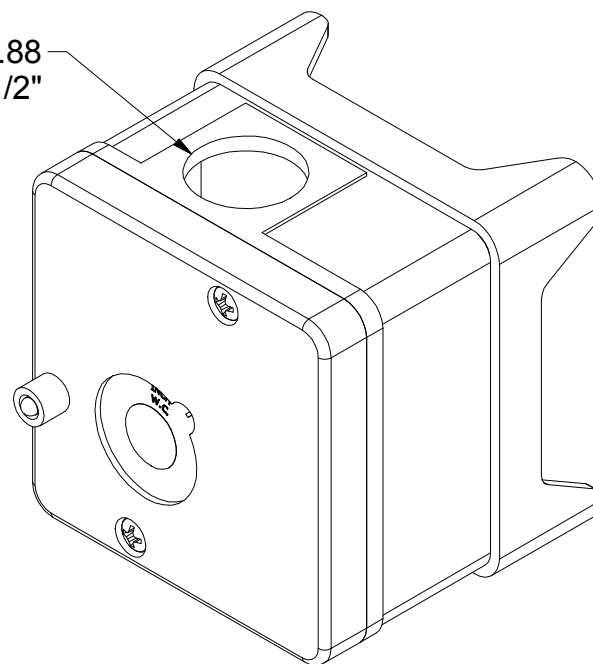


2

1

RECOMMENDED CONDUIT FITTING: 1/2"

Ø0.88



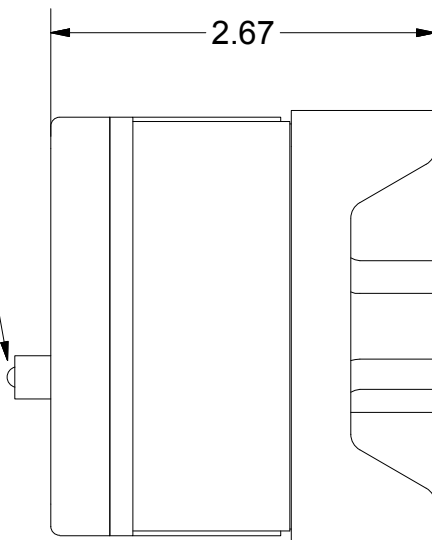
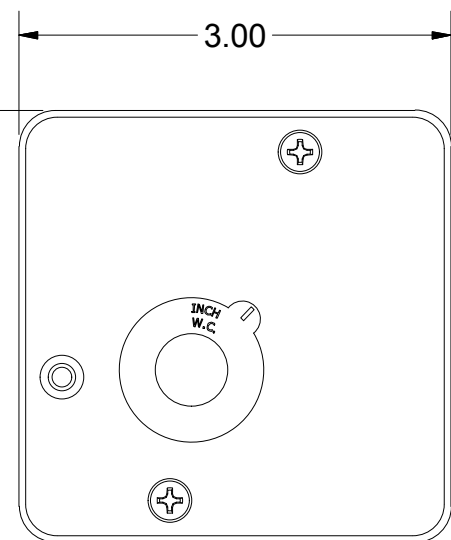
MANUAL
RESET

3.00

2.67

3.00

1/4" NPT
CENTERED ON BACK



REV.

1

NOTE: DIMENSIONS FOR REFERENCE ONLY

MATERIAL					SCC Inc. Elk Grove Village, IL 60007 PH# 224-366-8445			DESCRIPTION		
FINISH								Pressure Switch (Manual Reset)		
TOLERANCES (UNLESS OTHERWISE SPECIFIED)					ENGINEER			DATE ORIGINATED	SHEET	SCALE
FRACT.	.XX	.XXX	ANG.	ALL DIMENSIONS IN INCHES UNLESS NOTED				DAG	1/7/2013	1 of 1
+/- 0/00	+/- 0.01	+/- 0.005	+/- 0.5°				PART / DRAWING #			
This Drawing and all information contained in this Drawing is the Property of SCC Inc.						QPX31.xxxMxx				

2

1

B

B

A

A