



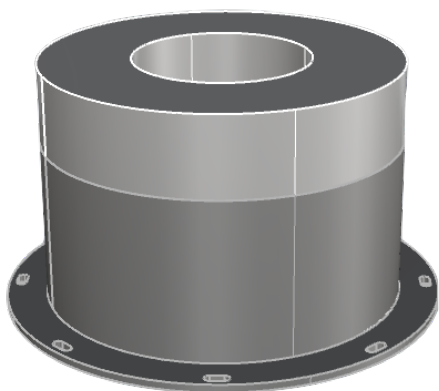
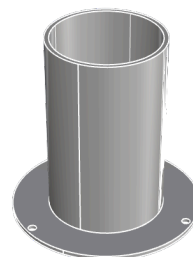
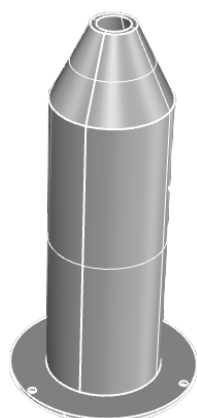
# Bruciatori Santin

---

## Burners Tubes

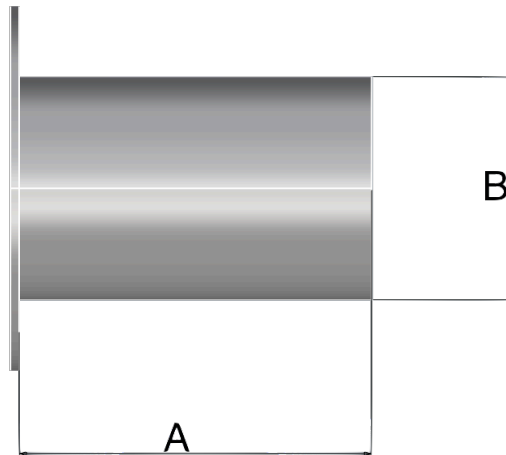
[Bulletin 1001-1 N/Tubes - 23/05/2017-]

MADE IN ITALY



## Dimensioni Dimensions

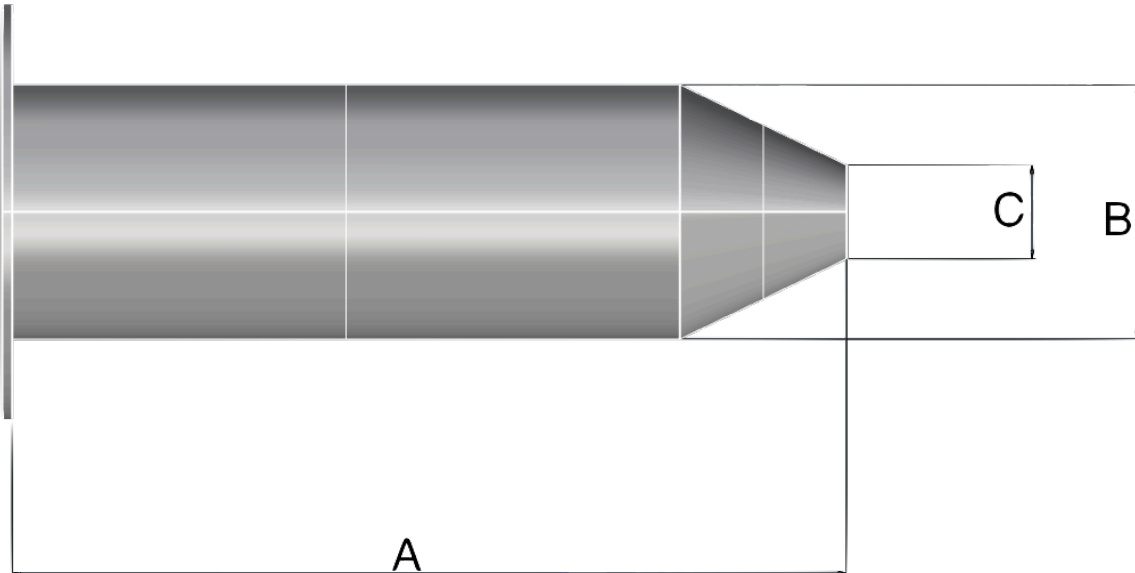
Standard Burner tube for medium velocity:



<b>Model</b>	<b>A*</b>	<b>B</b>	<b>Material</b>	<b>°C max</b>
<i>N-BFN76</i>	120	76	310S	1000
<i>N-BFN102</i>	120	102		
<i>N-BFN140</i>	120	140		
<i>N-BFN170</i>	120	170		
<i>RTFIRE891</i>	120	90		
<i>RTFIRE892</i>	120	90		
<i>RTFIRE1401</i>	120	140		
<i>MXS1</i>	120	170		
<i>MXS2</i>	120	220		
<i>MXS3</i>	200	281		

\*The data above is for standard model, please contact us for custom length

Burner Tube for High velocity:



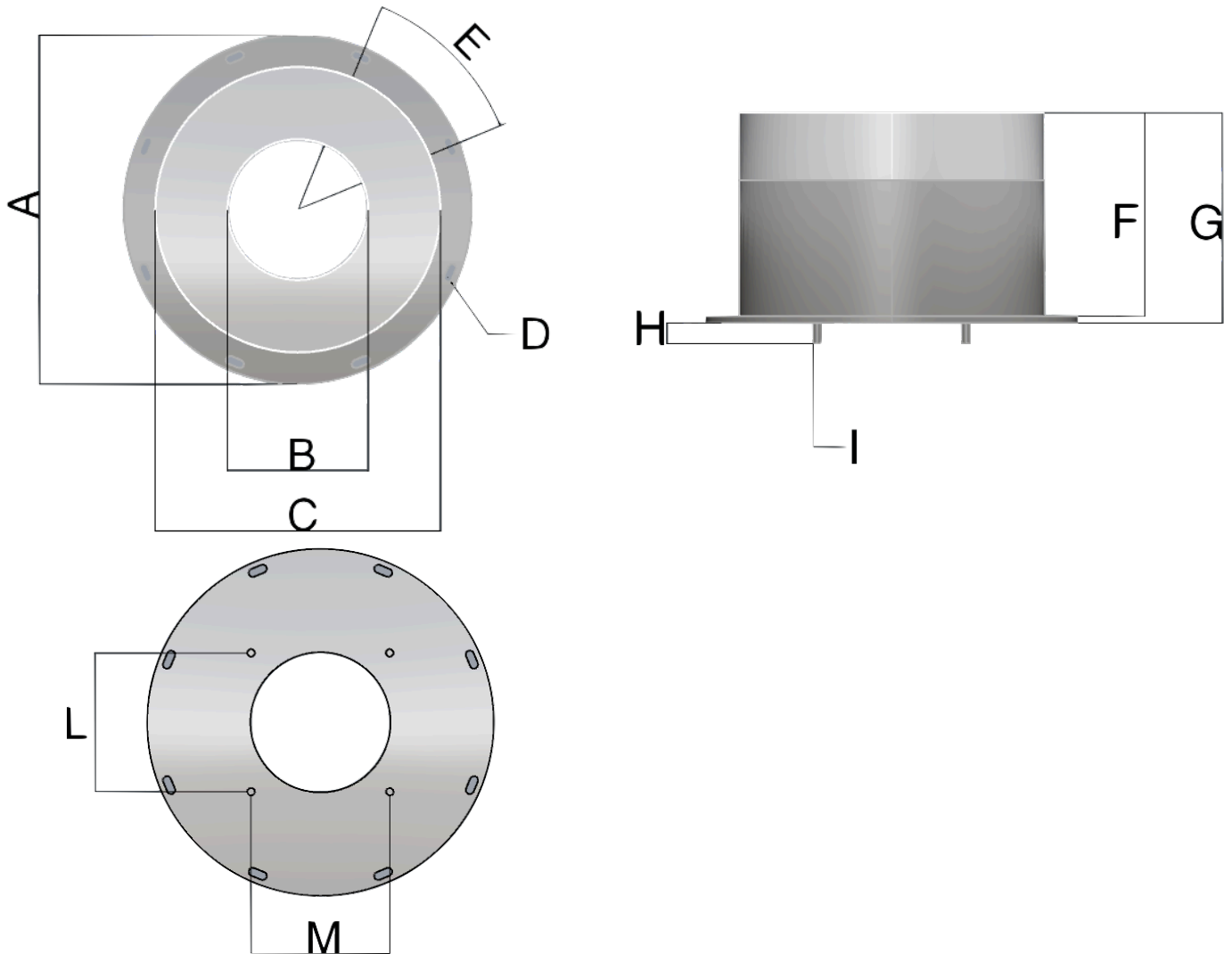
<i>Model</i>	<b>A*</b>	<b>B</b>	<b>C**</b>	<b>Material</b>	<b>°C max</b>
<i>N-BFN76-30</i>	230	76	26,5	310S SIC***	1000 1300
<i>N-BFN76-60</i>	230	76	33,7		
<i>N-BFN76-90</i>	230	76	42,4		
<i>N-BFN102-145</i>	230	102	48,3		
<i>N-BFN102-210</i>	230	102	60,3		
<i>N-BFN140-280</i>	260	140	60,3		
<i>N-BFN140-370</i>	260	140	76,1		
<i>N-BFN170-465</i>	260	170	76,1		
<i>N-BFN170-580</i>	260	170	88,5		

\*The data above are for standard models, please contact us for custom length

\*\* Approx. data

\*\*\* Custom length

Refractories Blocks standard flame for temperature up to 1500 °C



Model	A	B	C	D	E	F	G	H	I	L	M
NBFN76	400	82	300	N° 8 A13x25	22.5°	300	310	50	10	105	105
NBFN102	400	114	300	N° 8 A13x25	22.5°	300	310	50	10	105	105
NBFN140	450	180	350	N° 8 A13x25	22.5°	300	310	50	10	160	160
NBFN170	450	180	350	N° 8 A13x25	22.5°	300	310	50	10	160	160
MXS1	---	---	---	---	---	---	---	---	---	---	---
MXS2	550	240	450	N° 8 A13x30	22.5°	300	310	50	12	212	212
MXS3	600	300	500	N° 8 A13x30	22.5°	300	310	50	12	N°12 A 14x30	

\*\* on request refractories blocks for flat flame and high velocity burners.

- Bruciatori Industriali Santin riserva il diritto di modificare e variare i prodotti senza obbligo di notifica.
- Tutti di dati / grafici indicati e presentati in questo documento sono approssimativi.
- The performances mentioned are indicative. All measures are in mm. Performance and dimensions are guidelines only. The information contained in this catalogue is updated at the time of printing but can be changed without notice or obligation to notify.
- All data / graphs shown in this document are approximate.

**Contatti:**

**Contacts:**

Commerciale/Sales: [alessandro@bruciatorisantin.com](mailto:alessandro@bruciatorisantin.com)

Tecnico/Technical: [tecnico@bruciatorisantin.com](mailto:tecnico@bruciatorisantin.com)

Tel./Phone. +39 02 99813074

Fax. +39 02 99814391