

# SG350HX

Multi-MPPT String Inverter for 1500 Vdc System



## HIGH YIELD

- Up to 16 MPPTs with max. efficiency 99%
- 20 A per string, compatible with 500Wp+ module
- Data exchange with tracker system, improving yield

## Low Cost

- Q at night function, save investment
- Power line communication (PLC)
- Smart IV Curve diagnosis\*, active O&M

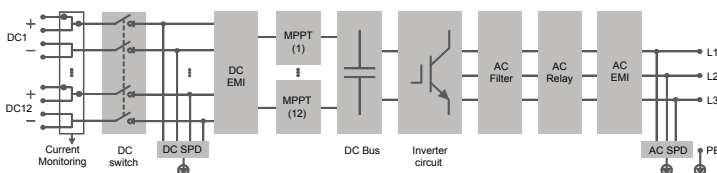
## PROVEN SAFETY

- 2 strings per MPPT, no fear of string reverse connection
- Integrated DC switch, automatically cut off the fault
- 24h real-time AC and DC insulation monitoring

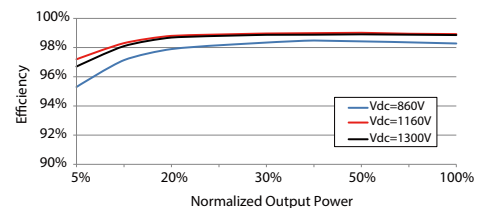
## Grid Support

- SCR $\geq$ 1.16 stable operation in extremely weak grid
- Reactive power response time <30ms
- Compliant with global grid code

## CIRCUIT DIAGRAM



## EFFICIENCY CURVE



Type designation	SG350HX
<b>Input (DC)</b>	
Max. PV input voltage	1500 V
Min. PV input voltage / Startup input voltage	500 V / 550 V
Nominal PV input voltage	1080 V
MPP voltage range	500 V – 1500 V
MPP voltage range for nominal power	860 V – 1300 V
No. of independent MPP inputs	12 (Optional: 14/16)
Max. number of input connector per MPPT	2
Max. PV input current	12 * 40 A (Optional: 14 * 30 A / 16 * 30 A)
Max. DC short-circuit current per MPPT	60 A
<b>Output (AC)</b>	
AC output power	352 kVA @ 30 °C / 320 kVA @40 °C / 295 kVA @50 °C
Max. AC output current	254 A
Nominal AC voltage	3 / PE, 800 V
AC voltage range	640 – 920 V
Nominal grid frequency / Grid frequency range	50 Hz / 45 – 55 Hz, 60 Hz / 55 – 65 Hz
THD	< 3 % (at nominal power)
DC current injection	< 0.5 % In
Power factor at nominal power / Adjustable power factor	> 0.99 / 0.8 leading – 0.8 lagging
Feed-in phases / AC connection	3 / 3
<b>Efficiency</b>	
Max. efficiency / European efficiency / CEC efficiency	99.01 % / 98.8 % / 98.5 %
<b>Protection</b>	
DC reverse connection protection	Yes
AC short circuit protection	Yes
Leakage current protection	Yes
Grid monitoring	Yes
Ground fault monitoring	Yes
DC switch/ AC switch	Yes / No
PV String current monitoring	Yes
Q at night function	Yes
Anti-PID and PID recovery function	Optional
Overvoltage protection	DC Type II / AC Type II
<b>General Data</b>	
Dimensions (W*H*D)	1136*870*361 mm / 44.7"*34.3"*14.2"
Weight	≤ 110 kg / ≤ 242.5 lbs
Isolation method	Transformerless
Ingress protection rating	IP66 / NEMA 4X
Night power consumption	< 6 W
Operating ambient temperature range	-30 to 60 °C / -22 to 140 °F
Allowable relative humidity range (non-condensing)	0 – 100 %
Cooling method	Smart forced air cooling
Max. operating altitude	4000 m (> 3000 m derating) / 13123 ft (> 9843 ft derating)
Display	LED, Bluetooth+APP
Communication	RS485 / PLC
DC connection type	MC4-Evo2 (Max. 6 mm <sup>2</sup> , optional 10mm <sup>2</sup> / Max. 10AWG, optional 8AWG )
AC connection type	Support OT/DT terminal (Max. 400 mm <sup>2</sup> / 789 Kcmil)
Compliance	IEC 62109, IEC 61727, IEC 62116, IEC 60068, IEC 61683, VDE-AR-N 4110:2018, VDE-AR-N 4120:2018, EN 50549-1/2, UNE 206007-1:2013, P.O.12.3, UTE C15-712-1:2013, UL1741, UL1741SA, IEEEE1547, IEEEE1547.1, CSA C22.2 107.1-01-2001, California Rule 21, ULL1699B
Grid support	Q at night function, LVRT, HVRT, active & reactive power control and power ramp rate control, Q-U control, P-f control

\*: Only compatible with Sungrow logger and iSolarCloud

# MVS3200/4480-LV

MV Turnkey Solution for 1500 Vdc String Inverter SG350HX



## SAVED INVESTMENT

- Up to 4.48 MW block design
- Easy transportation due to standard container design
- All pre-assembled for easy set-up and commissioning



## SAFETY

- MV and LV isolated, independent control room
- All key components front accessible, no need walk-in operation



## EASY O&M

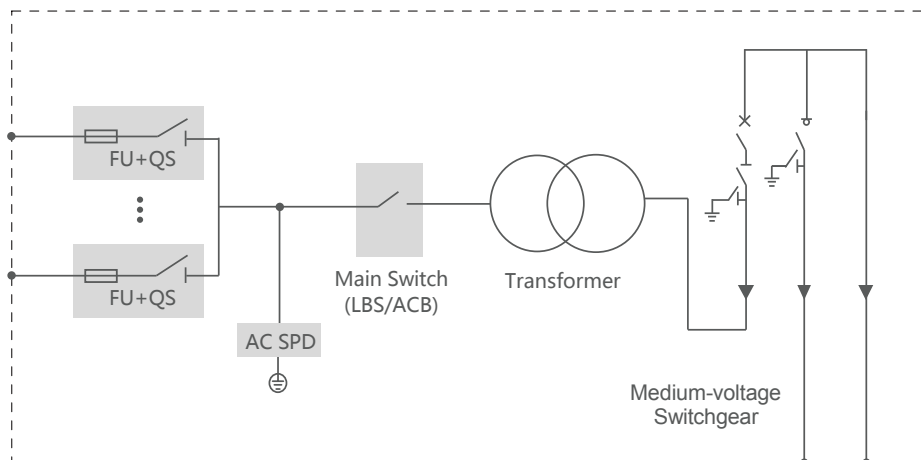
- Online analysis for fast trouble shooting
- Modular design, main device easy replacement



## RELIABLE

- All components type-tested
- Compliance with standards: IEC 60076, IEC 62271, IEC 61439

## CIRCUIT DIAGRAM



Type designation	MVS3200-LV	MVS4480-LV
<b>Transformer</b>		
Transformer type	Oil immersed	
Rated power	3200 kVA @ 40 °C	4480 kVA @ 40 °C
Max. power	3520 kVA @ 30 °C	4928 kVA @ 30 °C
Vector group	Dy11	
LV / MV voltage	0.8 kV / 20 – 35 kV	
Maximum input current at nominal voltage	2540 A	3557 A
Frequency	50 Hz / 60 Hz	
Tapping on HV	0, ±2×2.5%	
Efficiency	≥99%	
Cooling type	ONAN (Oil Natural Air Natural)	
Impedance	7% (±10%)	8% (±10%)
Oil type	Mineral oil (PCB free)	
Winding material	Al / Al	
Insulation class	A	
<b>MV Switchgear</b>		
Insulation type	SF6	
Rate voltage	24 – 36 kV	
Rate current	630 A	
Internal arcing fault	IAC AFL 20kA/1s	
Qty. of feeder	3 feeders	
<b>LV Panel</b>		
Main switch specification	4000 A / 800 Vac / 3P, 1 pcs	
Disconnecter specification	400 A / 800 Vac / 3P, 10 pcs	400 A / 800 Vac / 3P, 14 pcs
Fuse specification	260A / 800 Vac / 1P, 30 pcs	260A / 800 Vac / 1P, 42 pcs
<b>Protection</b>		
AC input protection	FUSE+Disconnecter	
Transformer protection	Oil-temperature, oil-level, oil-pressure	
Relay protection	50/51,50N/51N	
LV overvoltage protection	AC Type II (optional: AC Type I + II)	
<b>General Data</b>		
Dimensions(W*H*D)	6058*2896*2438 mm	
Approximate weight	15 T	17 T
Operating ambient temperature range	-20 to 60 °C (optional: -30 to 60 °C)	
Auxiliary power supply	5 kVA / 400 V (optional: max. 40 kVA)	
Degree of protection	IP54	
Allowable relative humidity range (non-condensing)	0 – 95 %	
Operating altitude	1000 m (standard) / > 1000 m (optional)	
Communication	Standard: RS485, Ethernet; Optional: optical fiber	
Compliance	IEC 60076, IEC 62271-200, IEC 62271-202, IEC 61439-1, EN50588-1	