



晶久牌新型魯氏鼓風機



導流散熱立式魯氏鼓風機

Air Current Conduction Radiating Heat Full-Length Roots Blower

使用場所：社區、大樓、學校、醫院、餐廳、飯店、休憩場所、畜牧廢水

- ① 節省空間
- ② 免換皮帶
- ③ 高效率
- ④ 軸承冷空氣強制冷卻免保養
- ⑤ 壽命長
- ⑥ 低噪音

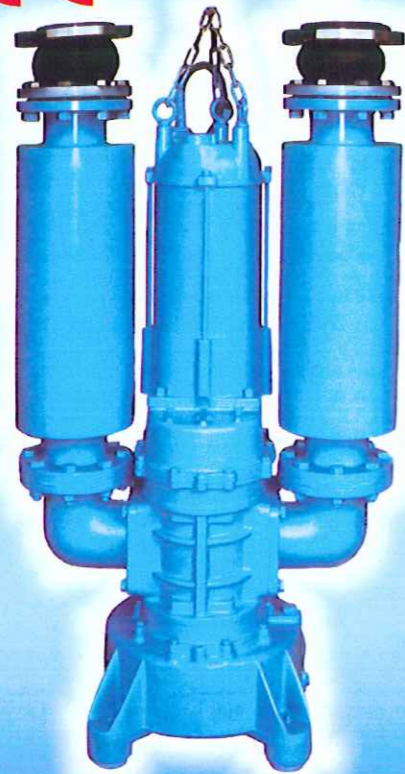


晶久牌皮帶式魯氏鼓風機

Traditional Belt Roots Blower

使用場所：工廠、養殖、學校、社區、大樓、畜牧廢水

- ① 效率高
- ② 壽命長
- ③ 各種尺寸齊全



沉水式魯氏鼓風機

Submersible Roots Blower

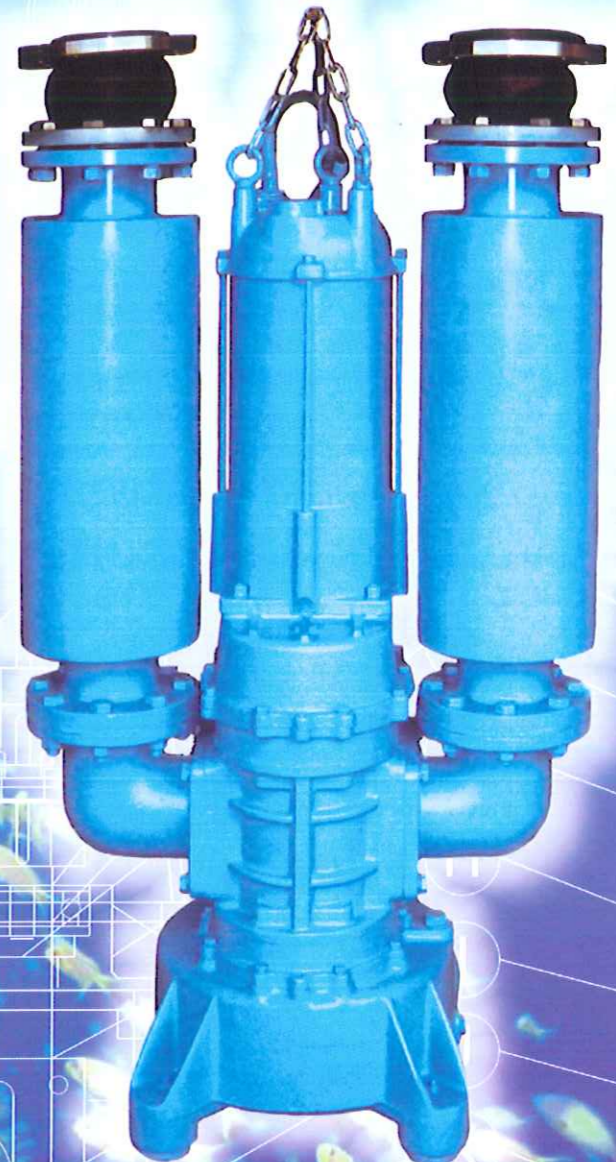
使用場所：大樓、學校、醫院、社區

- ① 無噪音
- ② 省空間
- ③ 高效率
- ④ 免換皮帶



沉水式魯氏鼓風機

KINGOOD SUBMERSIBLE ROOTS BLOWER

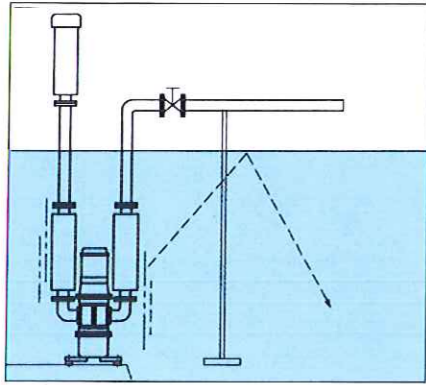


晶昌環境機械有限公司榮譽出品

KING CHAIN ENVIRONMENTAL CONSERVATION MACHINERY CO.,LTD.

經銷商：



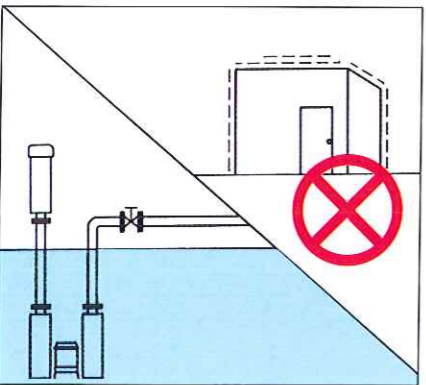


寧靜

運轉中之鼓風機，因置放在水中，故聲音在空氣與水之介面被折射入水中，而不傳入空氣中，同時水與槽壁亦同樣折射回去而達到減音之效果。

Quiet

Because the blower is installed under water, the operating noises reaching the surface of water are refracted into water instead of air. Meanwhile, water and tank walls also refract the noises into water. In this way, noises are effectively reduced.

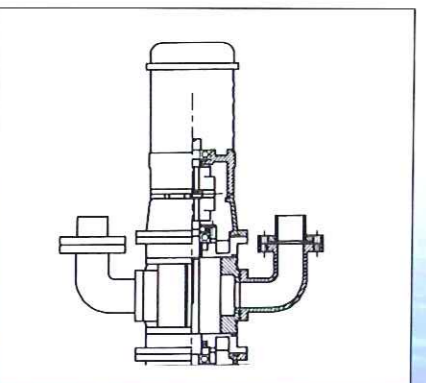


不需製作防音設備

水中型鼓風機因置於水中，即達到減音之效果，故不需另製作防音罩或防音廠房，同時鼓風機置放於水槽中，不佔用空間，所以能有效利用空間。

No Need to Add Soundproofing Devices

Being installed under water, the blower produces less noises. So, there is no need to add a soundproofing cover or build a soundproofing factory. Besides, since it is installed in a water tank, it does occupy space. The work place can be utilized more efficiently.



構造堅實、安心使用

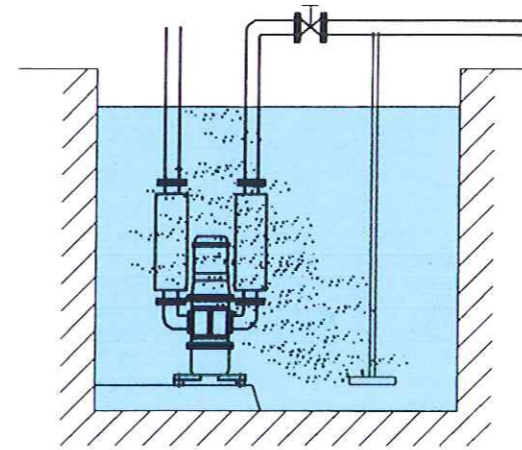
馬達與機體為直結式（沒有傳統型調整皮帶之困擾）。馬達與機台本身全以O型環圈閉封，絕無浸水之虞。馬達若因過熱停機，請清除外殼，以達散熱之效果。

Sturdy Structure to Ensure Durability

The motor and the blower body are connected directly (to avoid the troublesome conveyor adjustment of the traditional type of connection). The motor and the blower body are entirely sealed with an o-ring so water will not wet the motor. If the motor stops due to overheating, tear off its outer case to radiate heat more effectively.

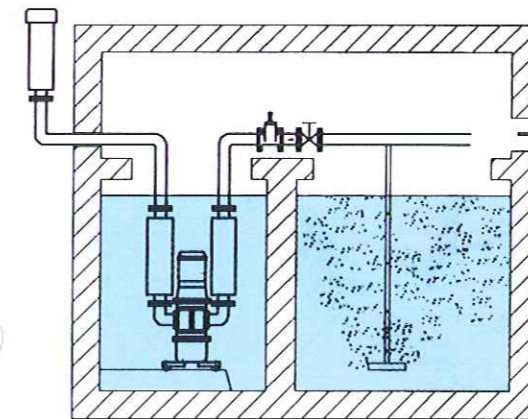
裝置簡單、配管短、省工時、不佔空間、不需防音設備....即達成無噪音之生活空間

You may enjoy a noiseless living environment with the advantages of Submersible Root's Blower - simple installation steps, shorter pipeline, less time required for installation and no need to add soundproofing devices.

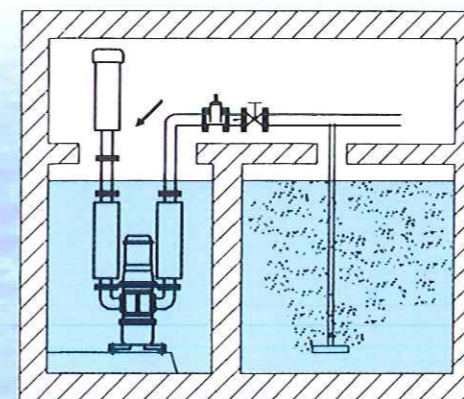


Cautions in Installation

- In order to confirm actions and make adjustment, install the blower in a place convenient for checking and repairs. To prevent adverse flow in case the blower stops, add a check valve. If possible, install the check valve at a position higher than the water level in the aeration tank.
- If sludge and dust might accumulate, heighten the blower's base. If sludge accumulates around the motor or blower, it will be difficult for the motor to radiate heat. This might lead to a breakdown or the motor might burn itself out. In this case, lay another pipeline (a device as shown in the above drawing) to stir water around the blower so sludge will not stick to it.



圖(一)



圖(二)

裝置注意事項

- 為確認動作及調整，應裝置於容易檢修之地方，防止鼓風機停機時，產生逆流，請裝置逆止閥並儘量裝置於曝氣槽水面以上之位置。
- 如有污泥及塵埃...等堆積之可能，請提高鼓風機裝置之基面。污泥如堆積於馬達及鼓風機之周圍，將使馬達散熱不易，造成故障或燒燬之可能，因此如有污泥堆積之可能（如上圖之裝置）另製一管路攪拌鼓風機周圍使污泥不附著其上。

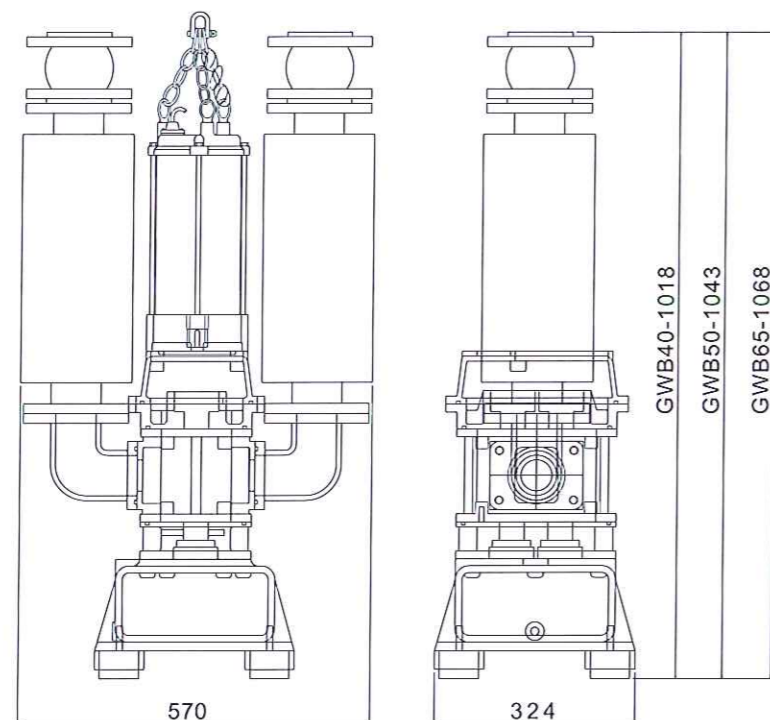
進氣排氣注意事項

- 進氣消音器應豎立，並置於室外使其不吸入槽內之潮濕空氣，如圖(一)
- 進氣消音器應離於地面1m/m以上，並且開闊之地方，以便如有塵埃堆積，易於清理。圖(二)之裝置儘量避免因消音器吸入槽內之濕空氣，而使氣室因過於潮濕，致使葉輪生鏽產生故障之虞，應避免之。
- 預備機因長久之放置，有可能生鏽卡死之情況產生，故請定時（以週計）予以運轉30分鐘若置於潮濕之地點，請以日計。

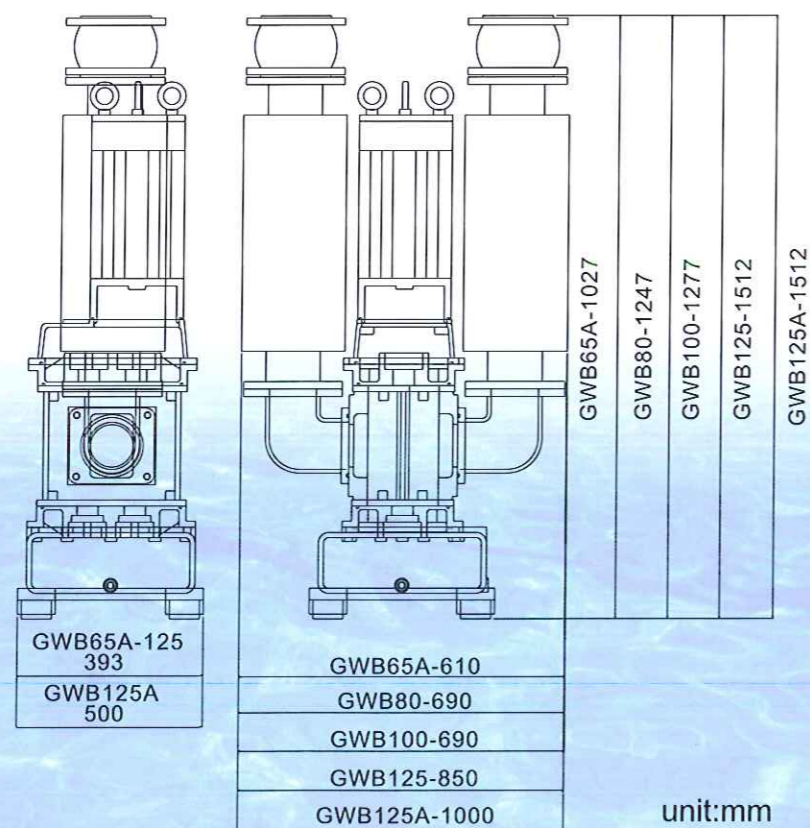
Cautions in Inlet and Outlet

- The inlet muffler should be erected and installed outdoors to avoid taking in damp air from the tank (as shown in drawing [1]).
- The inlet muffler should be installed at least 1 m/m above the ground in an open area so it can be easily cleaned if dust accumulates. As shown in drawing [2], if the muffler takes in damp air from the tank, the air chamber will become very damp, which might rust the blade wheel and cause a breakdown. Avoid such situation if possible.
- The spare set, being stored for a long time, might gather rust and check. Be sure to turn it on 30 minutes regularly (weekly). If it is stored in a damp place, turn it on daily.

GWB40-65 外觀尺寸圖 DIMENSIONS



GWB65A-125A 外觀尺寸圖 DIMENSIONS



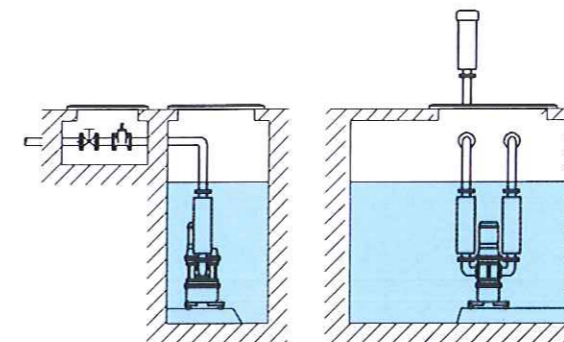
放流槽、消泡槽、鼓風槽

優點：

- 裝置淺檢修容易。
- 換油可於放水後於槽內進行。

注意：

- 必需保持最低水位。
- 水溫需保持於40°C以下。



Draining Tank, Defoaming Tank and Blowing Tank

Advantages:

- Installed in shallow water, it is convenient for checking and repairing.
- May replace oil in the tank directly after water is discharged.

Cautions:

- The volume of water should be kept above the lowest level.
- The temperature of water should be kept below 40°C.

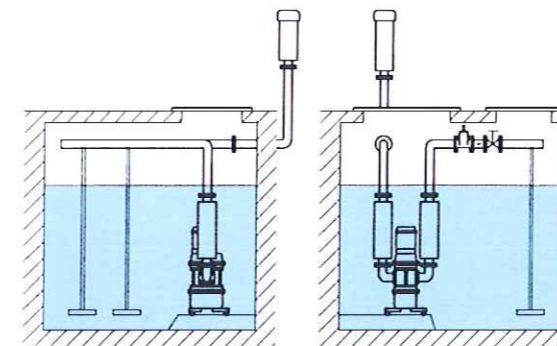
曝氣槽

優點：

- 配管短，裝置易。
- 不需要鼓風機裝置場所。

注意：

- 裝置不要妨害旋迴流之位置。
- 汽泡不要直接衝刺到鼓風機。



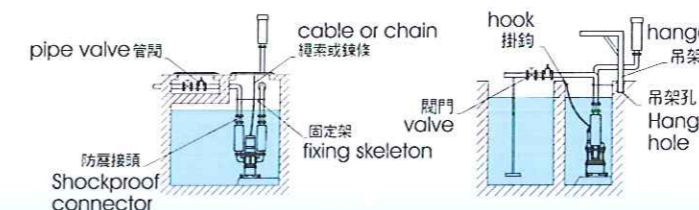
Aeration Tank

Advantages:

- With shorter pipeline, installation becomes easier.
- There is no need to reserve a place to install the blower.

Cautions:

- Do not install the blower in a place where circulation might be interrupted.
- Be careful not to let bubbles rush to the blower directly.



裝置要點：

- 用纜索或鍊條裝置機台，降於槽底並安置於基面（不需使用固定 螺柱）。
- 不可將纜索鍊條拉緊，其尾端固定於掛鈎上。
- 吸進及排出之管路，請用固定架固定以防止鬆動。

- 為方便裝置及管理，故需吊架及吊架孔，使用時插入吊架孔，不用時移開。
- 開始運轉時，安全閥全開再調整至使用之壓力。

Key Points of Installation:

- To install the blower, use a cable or chain to drop it to the bottom of the tank. Place it on the base (there is no need to use fixing bolts).
- Do not fasten the cable or chain. Fix one of its ends to the hook.
- As for the inlet and outlet pipeline, use the fixing skeleton to prevent it from loosening.

- For the convenience of installation and management, a hanger and a hanger hole are necessary. When you need to use the blower, insert the hanger in the hanger hole. Pull the hanger out of the hanger hole when the blower is not in use.
- When the blower begins to operate, open the safety valve to the full and then, adjust it to the required pressure.

沉水式魯氏鼓風機性能表

Performance of Submersible Root's Blower

沉水式魯氏鼓風機結構材質表

Structure & Material list of Submersible Root's Blower

GWB型 (水中型魯氏鼓風機) 性能表 60Hz

TYPE GWB PERFORMANCE TABLE

型式 Model	口徑 Bore	馬達 Motor	0.1Kgf/cm ² 1000mmAq		0.2Kgf/cm ² 2000mmAq		0.3Kgf/cm ² 3000mmAq		0.4Kgf/cm ² 4000mmAq		0.5Kgf/cm ² 5000mmAq		0.6Kgf/cm ² 6000mmAq		噪音 noise db	重量 WEIGHT KG
			CMM	Kw	CMM	Kw	CMM	Kw	CMM	Kw	CMM	Kw	CMM	Kw		
			GWB4075	1.5B	1HP	1.4	0.65	1.2	0.7	1.0	0.75					
GWB4015	1.5B	2HP	2.1	0.9	1.8	1.1	1.5	1.3	1.1	1.5					47	154
GWB5015	2B	2HP	2.9	1.1	2.6	1.3	2.4	1.5							48	160
GWB5022	2B	3HP	2.9	1.1	2.6	1.3	2.4	1.5	2.2	1.8	2.0	2.0			50	164
GWB5037	2B	5HP	2.9	1.1	2.6	1.3	2.4	1.5	2.2	1.8	2.0	2.0	1.8	2.3	52	169
GWB6522	2.5B	3HP	4.1	1.7	3.9	1.9	3.6	2.2							52	189
GWB6537	2.5B	5HP	4.1	1.7	3.9	1.9	3.6	2.2	3.3	2.5	3.1	2.8	2.8	3.2	54	194
GWB65A22	2.5B	3HP	5.4	2.0	5.1	2.2									54	210
GWB65A37	2.5B	5HP	5.4	2.0	5.1	2.2	4.7	2.5	4.4	2.9	4.1	3.5			57	215
GWB65A55	2.5B	7.5HP	5.4	2.0	5.1	2.2	4.7	2.5	4.4	2.9	4.1	3.5	3.8	4.0	59	233
GWB8037	3B	5HP	6.7	2.9	6.4	3.2	6.0	3.7							56	248
GWB8055	3B	7.5HP	6.7	2.9	6.4	3.2	6.0	3.7	5.7	4.3	5.3	5.0			59	267
GWB8075	3B	10HP	6.7	2.9	6.4	3.2	6.0	3.7	5.7	4.3	5.3	5.0	5.0	5.8	62	278
GWB10055	4B	7.5HP	9.4	4.0	9.0	4.6	8.6	5.2							63	293
GWB10075	4B	10HP	9.4	4.0	9.0	4.6	8.6	5.2	8.2	6.1	7.8	7.1			65	305
GWB10011	4B	15HP	9.4	4.0	9.0	4.6	8.6	5.2	8.2	6.1	7.8	7.1	7.4	8.2	67	318
GWB12575	5B	10HP	11.5	5.0	11.0	6.0	10.5	7.0							66	373
GWB12511	5B	15HP	11.5	5.0	11.0	6.0	10.5	7.0	10.1	8.1	9.6	9.4	9.1	10.6	69	386
GWB125A11	5B	15HP	13.7	8.2	13.3	9.3	12.8	10.3							69	425
GWB125A15	5B	20HP	13.7	8.2	13.3	9.3	12.8	10.3	12.4	11.2	12	13.0	11.6	14.5	70	450

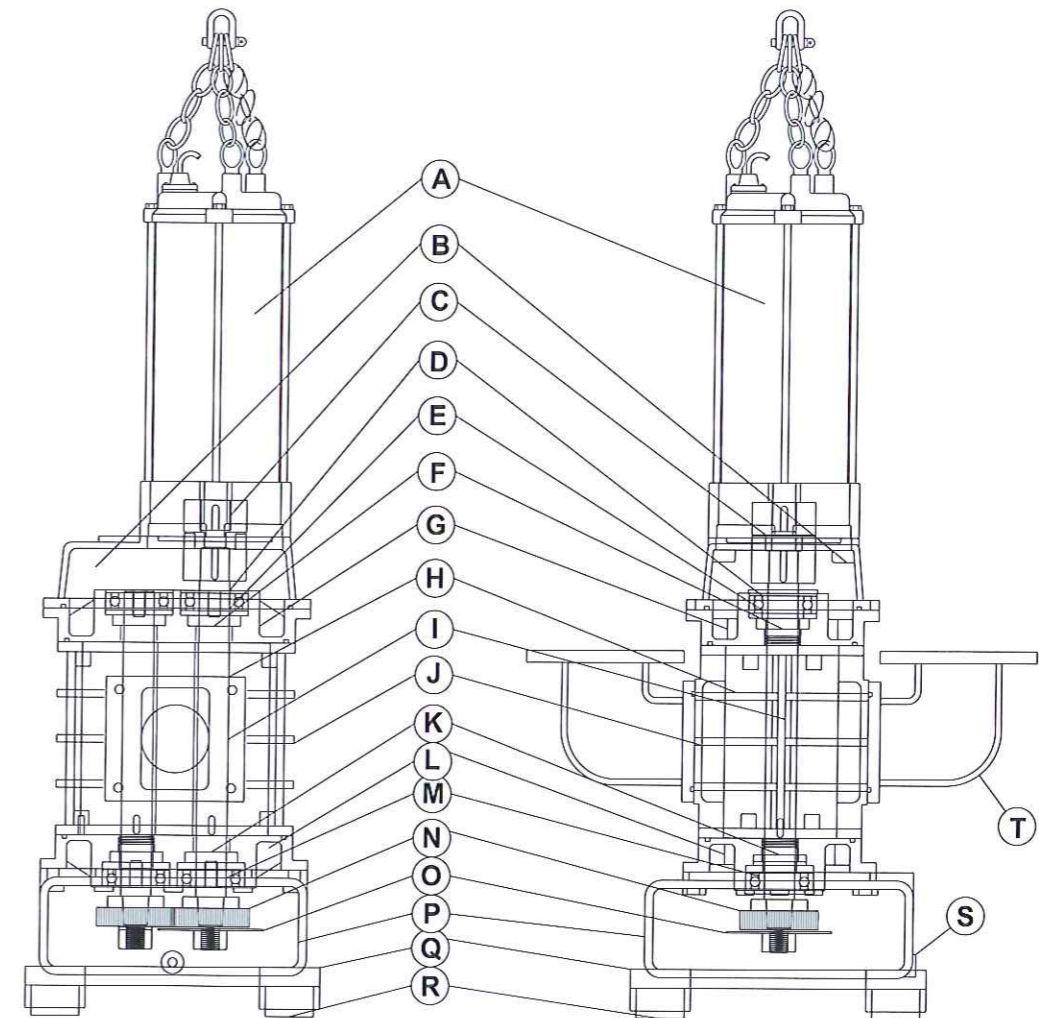
GWB型 (水中型魯氏鼓風機) 性能表 50Hz

TYPE GWB PERFORMANCE TABLE

型式 Model	口徑 Bore	馬達 Motor	0.1 bar 1000mmAq		0.2 bar 2000mmAq		0.3 bar 3000mmAq		0.4 bar 4000mmAq		0.5 bar 5000mmAq		0.6 bar 6000mmAq		噪音 noise db	重量 WEIGHT Kg
			CMM	Kw	CMM	Kw	CMM	Kw	CMM	Kw	CMM	Kw	CMM	Kw		
			GWB4075	1.5B	1Hp	1.1	0.55	0.9	0.65	0.7	0.75					
GWB4015	1.5B	2Hp	1.6	0.84	1.3	0.99	1.1	1.14	0.85	1.25	0.65	1.4		47	154	
GWB5015	2B	2Hp	2.4	1.2	2.2	1.3	2.0	1.4						46	160	
GWB5022	2B	3Hp	2.4	1.2	2.2	1.3	2.0	1.4	1.8	1.6	1.6	1.8	1.5	2.0	48	164
GWB6522	2.5B	3Hp	3.4	1.5	3.2	1.7	3.0	1.9	2.8	2.1				50	189	
GWB6537	2.5B	5Hp	3.4	1.5	3.2	1.7	3.0	1.9	2.8	2.1	2.6	2.4	2.3	2.7	53	194
GWB65A22	2.5B	3Hp	4.4	1.7	4.2	1.9	3.9	2.1						52	210	
GWB65A37	2.5B	5Hp	4.4	1.7	4.2	1.9	3.9	2.1	3.6	2.5	3.4	2.9	3.1	3.4	55	215
GWB8037	3B	5Hp	5.6	2.4	5.3	2.7	5.0	3.1						54	248	
GWB8055	3B	7.5Hp	5.6	2.4	5.3	2.7	5.0	3.1	4.7	3.7	4.4	4.2	4.1	4.8	58	267
GWB10055	4B	7.5Hp	7.8	3.4	7.5	3.9	7.1	4.4	6.8	5.1				61	293	
GWB10075	4B	10Hp	7.8	3.4	7.5	3.9	7.1	4.4	6.8	5.1	6.5	6.0	6.1	6.8	64	305
GWB12575	5B	10Hp	9.5	4.2	9.1	5.0	8.7	5.9	8.3	6.8				66	373	
GWB12511	5B	15Hp	9.5	4.2	9.1	5.0	8.7	5.9	8.3	6.8	7.9	7.9	7.5	8.9	69	386

沉水式魯氏鼓風機結構圖

Structure & Material list of Submersible Roots Blower



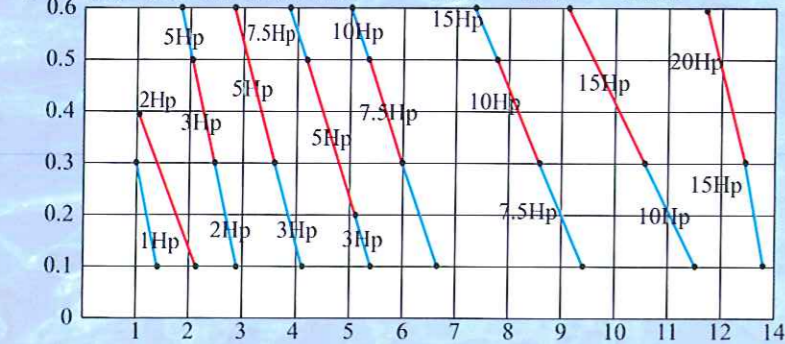
沉水式結構材質表

Structure & Material list of Submersible Roots Blower

序 sequence	品名 name	材質 material	量 quantity	指定材質 specified material	序 sequence	品名 name	材質 material	量 quantity	指定材質 specified material
A	沉水馬達(含過熱過載斷電器) Motor Thermal Protector	SUS304	1		K	油封Oil Seal	NBR	2	
B	馬達座Motor Cover	FC250	1		L	軸承座Bearing Base	FC250	1	
C	連結器Coupling	Sintered-tarts	1		M	軸承Bearing	SUJ2	2	
D	碟型彈簧片Springs	N63CA	4		N	齒輪Gear	SCM415	2	
E	軸承Bearing	SUJ2	2		O	甩油片Front Oil Splash	SS41	1	
F	軸心襯套Shaft Link	S45C	2		P	油箱Oil Case	FC250	1	
G	軸承座Bearing Base	FC250	1		Q	底腳Base	FC250	3	
H	葉輪Rotor	FCD500	2		R	防震橡膠Vibration Isolator	SBR	3	
I	轉軸Shaft	SCM440	2		S	油栓Oil Plug	SUS304	2	
J	主體Main Casing	FC250	1		T	彎頭90° Pipe	FC250	2	

GWB型 (水中型魯氏鼓風機) 性能曲線圖 60Hz

TYPE GWB PRESSURE PERFORMANCE CURVE



GWB型 (水中型魯氏鼓風機) 性能曲線圖 50Hz

TYPE GWB PRESSURE PERFORMANCE CURVE

